

5" submersible centrifugal multistage pump made of stainless steel AISI 304 and noryl, suitable for the movement of clean water from wells, tanks for irrigation systems. The double mechanical seal ensures long life and improved reliability.



SPECIFICATIONS

- Maximum working pressure: 10 bar
- Maximum liquid temperature: 40°C
- Installation: in horizontal and vertical position
- Maximum immersion: 20 m
(10 m with float switch)

MATERIALS

- External casing, motor casing, casing cover and closing ring in AISI 304
- Impeller, diffuser and spacer in tecnopolymer
- Shaft in AISI 431
- Upper mechanical seal in carbon/ceramic/NBR, lower mechanical seal in SiC/Carbon/NBR

TECHNICAL DATA

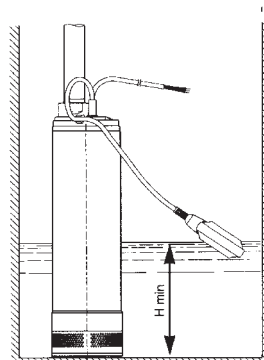
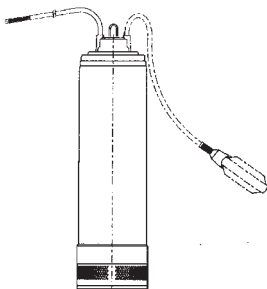
- Asynchronous 2 poles motor cooled by the pumped liquid
- Insulation class F
- Protection degree IP68
- 1~230V $\pm 10\%$ 50Hz, 3~400V $\pm 10\%$ 50Hz
- Permanent split capacitor and automatic thermal overload protection for single-phase version
- Thermal protection to be provided by the user for three-phase version
- Discharge 1" ¹/₄

DIMENSIONAL TABLE

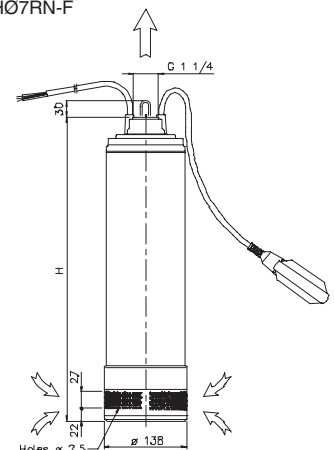
Pump type		H (mm)	Weight kg	
Single-phase	Three-phase		1~	3~
IDROGO M 40/06*	-	513	13	-
IDROGO M 40/08	IDROGO 40/08	513	15	15
IDROGO M 40/10	IDROGO 40/10	539	16	16
IDROGO M 40/12	IDROGO 40/12	590	17	17
IDROGO M 40/15	IDROGO 40/15	616	18	18
IDROGO M 80/12	IDROGO 80/12	540	16	16
IDROGO M 80/15	IDROGO 80/15	564	17	17
-	IDROGO 80/20	590	-	18

* Supplied with 5 m cable length type H07RN-F

Single phase version with float switch (upon request)

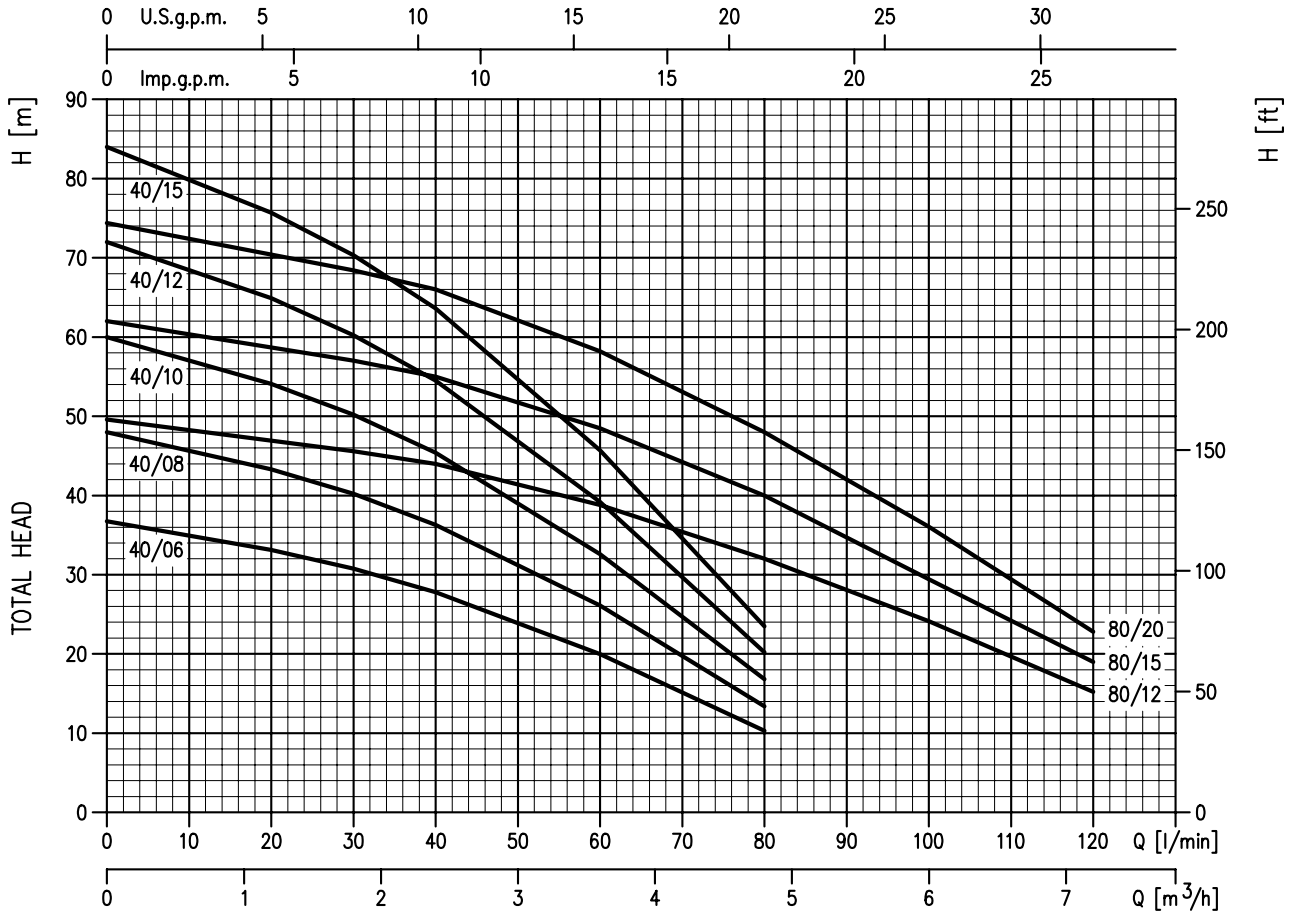


When using the pump in a pit, the recommended minimum size of the pit is 600 mm x 600 mm x 600 mm to allow unrestricted movement of the automatic float switch





PERFORMANCE CURVES (according to ISO 9906 Annex A)



PERFORMANCE TABLE

Pump type		kW	Capacitor		Absorbed Current (A)		Q=Capacity							
Single-phase 230V 50Hz	Three-phase 400V 50Hz		µF	V _c	1~	3~ 400V	l/min m³/h	20	30	40	60	80	100	120
								H=Total head						
IDROGO M 40/06	-	0,45	16	450	3,8	-		33,1	30,8	27,8	20	10,3	-	-
IDROGO M 40/08	IDROGO 40/08	0,6	16	450	4,3	1,9		43,3	40,2	36,3	26,1	13,4	-	-
IDROGO M 40/10	IDROGO 40/10	0,75	20	450	5,7	2,2		54,1	50,2	45,4	32,6	16,8	-	-
IDROGO M 40/12	IDROGO 40/12	0,9	20	450	6,8	2,4		64,9	60,2	54,5	39,2	20,2	-	-
IDROGO M 40/15	IDROGO 40/15	1,1	31,5	450	7,3	3,0		75,7	70,3	63,6	45,7	23,5	-	-
IDROGO M 80/12	IDROGO 80/12	0,9	20	450	6,4	2,3		-	45,6	44	38,8	32	23,2	15,2
IDROGO M 80/15	IDROGO 80/15	1,1	31,5	450	7,5	3,1		-	57	55	48,5	40	28	19
-	IDROGO 80/20	1,5	-	-	-	3,5		-	68,4	66	58,2	48	34,8	22,8