

CENTRIFUGAL PUMPS - SINGLE IMPELLER in AISI 304

Single impeller centrifugal pumps manufactured from stainless steel AISI 304, suitable for water supply, treatment and irrigation. Air conditioning systems and general water pumping including moderately aggressive liquids.



SPECIFICATIONS

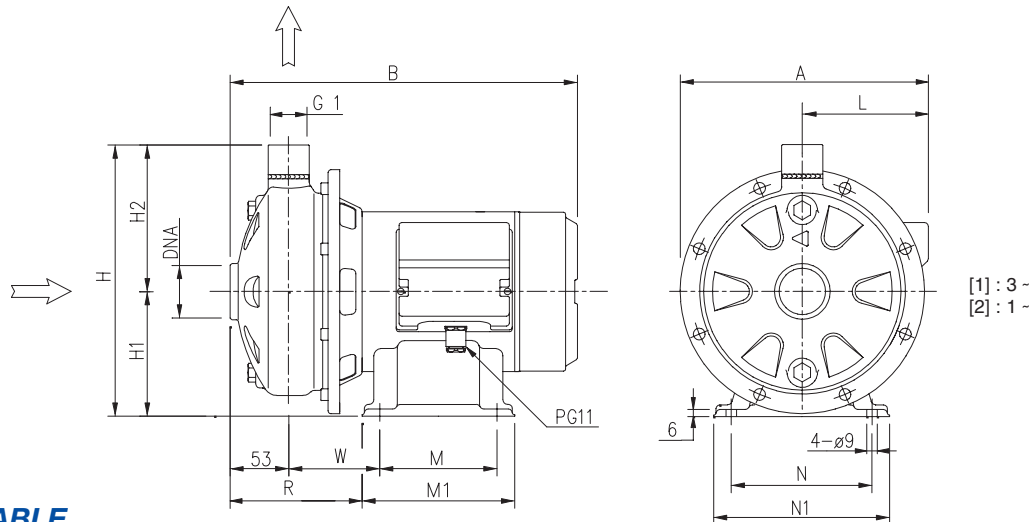
- Maximum working pressure: 8 bar
- Maximum liquid temperature:
60°C for CD 70/05-70/07-90/10
90°C for other models
110°C for H and HS versions

MATERIALS

- Pump body, impeller, diffuser, casing cover, bracket, motor casing and fan cover in AISI 304
- Mechanical seal in Ceramic/Carbon/NBR
Ceramic/Carbon/FPM (for CDH)
SiC/SiC/FPM (for CDHS)
- Special mechanical seal are available on demand
- Shaft an AISI 303

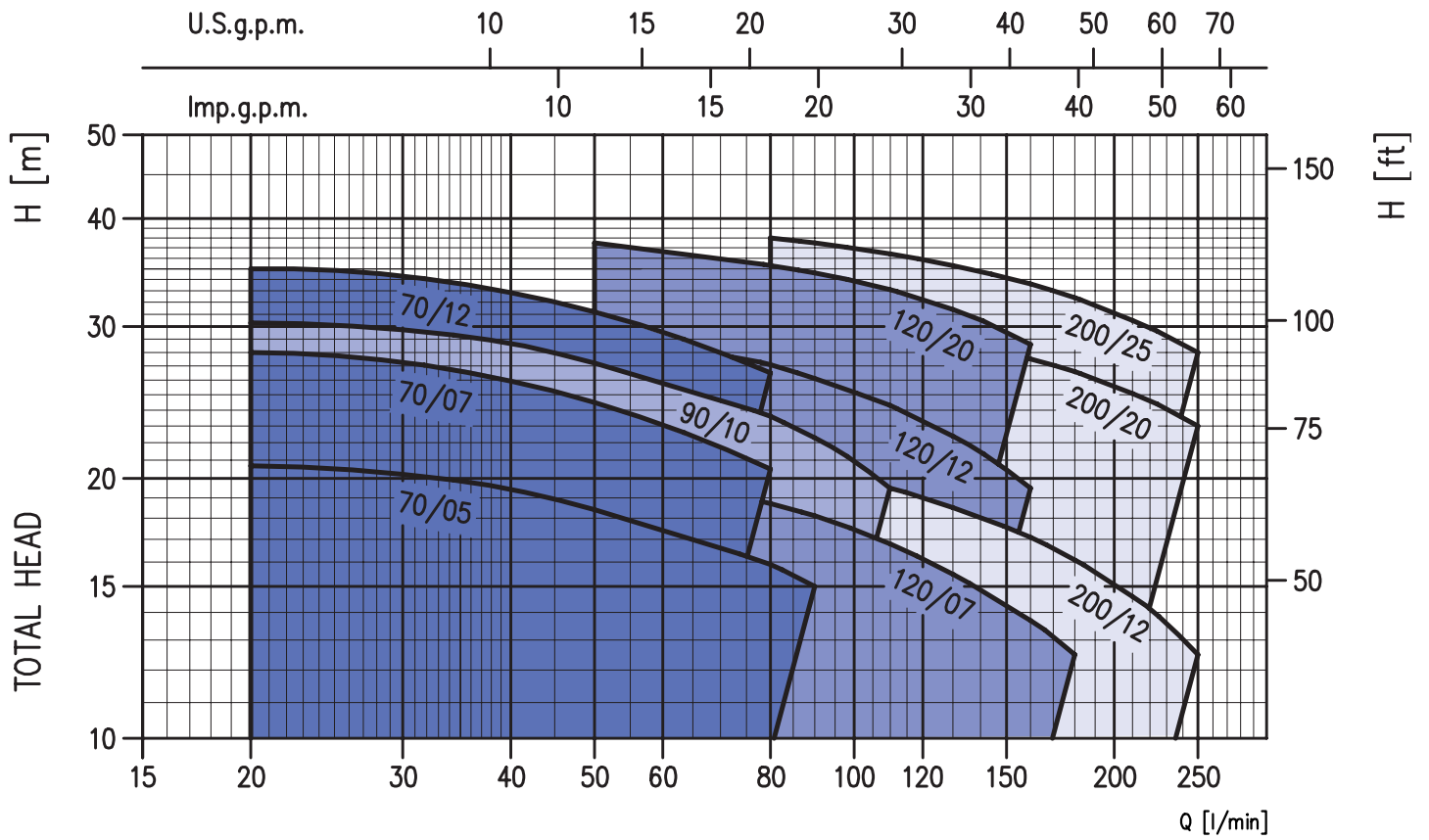
TECHNICAL DATA

- T.E.F.C. 2 poles motor
- Insulation class F
- Protection degree IP55
- 1~230V ± 10% 50Hz, 3~230/400V ± 10% 50Hz
- Permanent split capacitor and automatic thermal overload protection for single-phase version
- Thermal protection to be provided by the user for three-phase version
- Suction 1³/₄" for CD200, Suction 1¹/₄" for the other models
- Discharge 1"



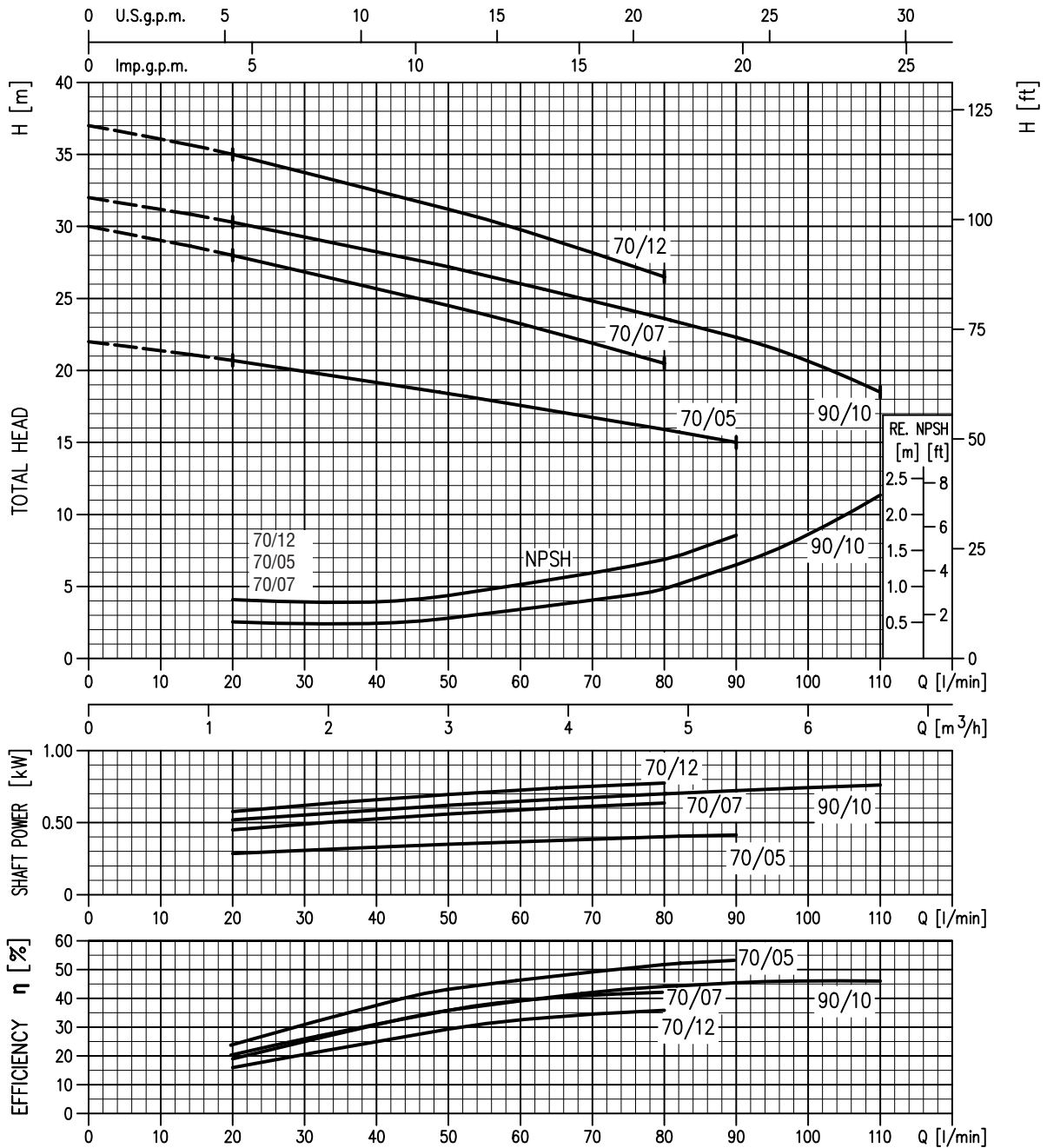
DIMENSIONAL TABLE

Pump type		Dimensions (mm)														Weight (kg)				
		A		B	H	H1	H2	L		M		M1		N	N1		R	W	DNA	
Single-phase	Three-phase	1~	3~						1~	3~	1~	3~	1~	3~						
CDM 70/05	CD 70/05	210	206	298	229	106	123	106	102	100	100	130	130	120	150	101	63	63	G 1 1/4	9,4
CDM 70/07	CD 70/07	210	206	298	229	106	123	106	102	100	100	130	130	120	150	101	63	63	G 1 1/4	10,8
CDM 70/12	CD 70/12	218	218	328	250	118	132	102	102	100	100	130	130	120	150	131	93	93	G 1 1/4	14,1
CDM 90/10	CD 90/10	210	206	328	229	106	123	106	102	100	100	130	130	120	150	131	93	93	G 1 1/4	12,4
CDM 120/07	CD 120/07	210	206	298	229	106	123	106	102	100	100	130	130	120	150	101	63	63	G 1 1/4	10,7
CDM 120/12	CD 120/12	206	206	328	229	106	123	102	102	100	100	130	130	120	150	101	63	63	G 1 1/4	13,3
CDM 120/20	CD 120/20	226	226	356	250	118	132	110	110	100	100	130	130	120	150	131	93	93	G 1 1/4	17,3
CDM 200/12	CD 200/12	206	206	328	229	106	123	102	102	100	100	130	130	120	150	131	93	93	G 1 1/2	12,7
CDM 200/20	CD 200/20	214	214	356	229	106	123	110	110	120	120	150	150	140	170	133	95	95	G 1 1/2	16,7
	CD 200/25	-	226	366	250	118	132	110	-	-	120	-	150	140	170	138	100	100	G 1 1/2	17,4

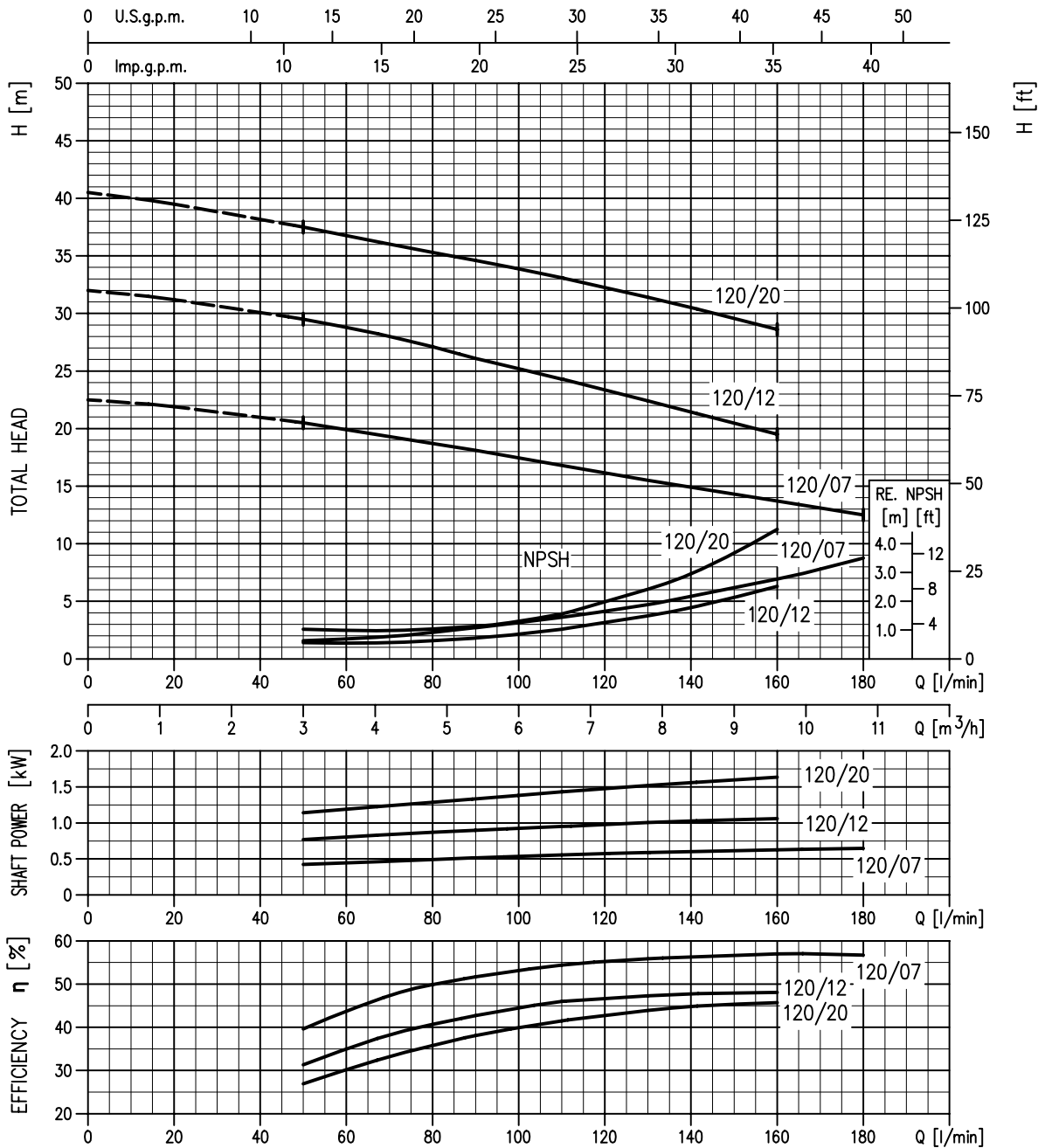
PERFORMANCE CHART (according to ISO 9906 Annex A)

PERFORMANCE TABLE

Pump type		kW	Capacitor		Absorbed Current (A)			l/min m ³ /h	Q=Capacity										
Single-phase 230V 50Hz	Three-phase 230/400V 50Hz		μF	V _c	Single-phase	Three-phase 230V	400V		20	50	80	90	110	130	160	180	210	250	
								H=Total head											
CDM 70/05	CD 70/05	0,37	12,5	450	3,1	2,4	1,4	20,7	18,4	15,9	15	-	-	-	-	-	-		
CDM 70/07	CD 70/07	0,55	16	450	4,6	3,5	2,0	28	24,5	20,5	-	-	-	-	-	-	-		
CDM 70/12	CD 70/12	0,9	31,5	450	6,5	5,0	2,9	35	31,2	26,5	-	-	-	-	-	-	-		
CDM 90/10	CD 90/10	0,75	20	450	5,6	4,0	2,3	30,3	27,2	23,6	22,3	19,5	-	-	-	-	-		
CDM 120/07	CD 120/07	0,55	16	450	4,6	3,2	1,85	-	20,5	18,7	18,1	16,8	15,5	13,7	12,5	-	-		
CDM 120/12	CD 120/12	0,9	31,5	450	6,9	4,9	2,8	-	29,5	27,1	26,1	24,3	22,4	19,5	-	-	-		
CDM 120/20	CD 120/20	1,5	40	450	9,7	7,0	4,0	-	37,5	35,3	34,6	33,1	31,4	28,6	-	-	-		
CDM 200/12	CD 200/12	0,9	31,5	450	6,3	4,7	2,7	-	-	20,6	20,2	19,5	18,5	17,1	16,1	14,6	12,5		
CDM 200/20	CD 200/20	1,5	40	450	9,8	7,0	4,0	-	-	31	30,6	29,7	28,9	27,5	26,6	25,1	23		
	CD 200/25	1,8	-	-	-	8,6	5,0	-	-	-	38	37,5	36,4	35,3	33,6	32,4	30,5	28	

PERFORMANCE CURVES CD 70-90 series (according to ISO 9906 Annex A)



PERFORMANCE CURVES CD 120 series (according to ISO 9906 Annex A)



PERFORMANCE CURVES CD 200 series (according to ISO 9906 Annex A)

