

Dual function Liquitron™ DX6000 Series Conductivity Controller

Dual Function Cooling Tower Controller Bleed & Feed with Dual Biocide Additions.

Liquitron™ DX6000 Series Controller

The Liquitron™ DX6000 Series Controller is a microprocessor based control system that will operate in a variety of water treatment applications. The DX6000 provides a set point and relay for conductivity and pH control, or conductivity and ORP and a variety of timer functions to control chemical addition, including dual biocides, one inhibitor, one oxidizer or reducer pumps.

Store up to 31 days of data and download via RS-232 or via modem connection with optional LMI LiquiComm™ Communications Package. This data can be viewed in a graph or report format.

Programming this controller is simple and is accomplished using only three keys. The backlit LCD display and LEDs provide a visual indication of operating conditions and equipment status.



Liquitron™ DX6000 Series Conductivity, pH or ORP Controller

Main technical specifications

- Controls Conductivity/pH or Conductivity/ORP
- 0-20,000 μ S Control Range
- Display units in μ S or in PPM/TDS
- pH Control Range: 0 to 14 pH
- ORP Control Range: -2000 to 2000 mV
- Temperature Display in $^{\circ}$ C or $^{\circ}$ F
- High and Low Alarm with Output Relay
- Four Inhibitor Feed Modes (on/off or pulse)
- Dual Biocide Pump Output (on/off or pulse)
- Time or Conductivity Based Prebleed
- Data Logging/Remote Communications (optional)
- Two Water Meter Inputs
- Flow Switch Compatible (N.O. or N.C.)
- Physical unit: 4-20 mA Non-Isolated Output Signal
- Four Tank Level Inputs with Alarms
- RS-232 Connection Port
- Programmable RS485 Address
- 32 Character 2-Line Backlit LCD
- UL, CUL, CE Certified

Operational

- **Display:**
32 Character 2-Line Backlit LCD
- **LED Indicators:**
Power, Bleed, Alarm, Flow, Feed, Timer 1, Timer 2, Timer 3
- **Biocide Timers (Timers 1 & 2):**
1-28 Day Cycle Timers
- **Bleed Set Point:**
Rising or Falling (Selectable)
- **Feed Timer (Selectable):**
 - Pulse (External Trigger): 1 - 999 second run time
1 - 100 count
 - % of Time (Reset): 1 - 100 minute cycle
1% - 100% run
 - Limit (Feed and Bleed): 1 - 999 minute limit
 - % of Bleed (Feed after Bleed): 1% - 100% of bleed time
1 - 999 minute limit



Specifications

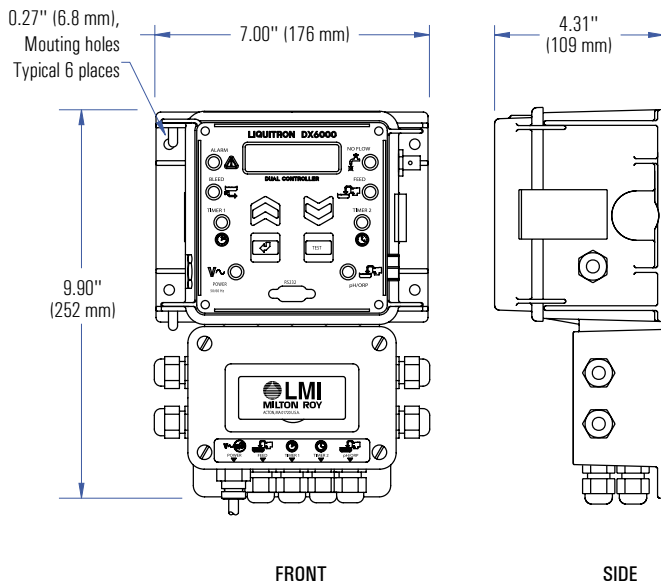
Electrical

- **Input**
 - 115 VAC 50/60 Hz or 230 VAC 50/60 Hz
- **Signal Output**
 - Two outputs: 4-20 mA spannable non-isolated for conductivity, pH or Redox
 - Four outputs: 0-180 SPM pulse for Feed, Bio. 1 & Bio. 2
- **Signal Input**
 - Four (4) PG-9 throughput connectors are provided for connection of flow meter, flow switch, communications and other instrumentation
 - A four (4)-pin microphone jack is provided for the conductivity probe connection
 - A BNC connector for pH or ORP probe
 - Four (4) tank level inputs are provided (select 4-20 mA, 0-5V, or switch closure)
 - Two (2) water meter inputs are provided for make-up water and blowdown water
- **Bleed/Control Output**
 - Four (4) relays, 15A, 115 VAC or 10A, 230 VAC
 - Alarm relay 15A, 115 VAC or 10A, 230 VAC
 - Unit fused for 10A total load
- **Communications**
 - RS485 I/O
 - RS232 I/O

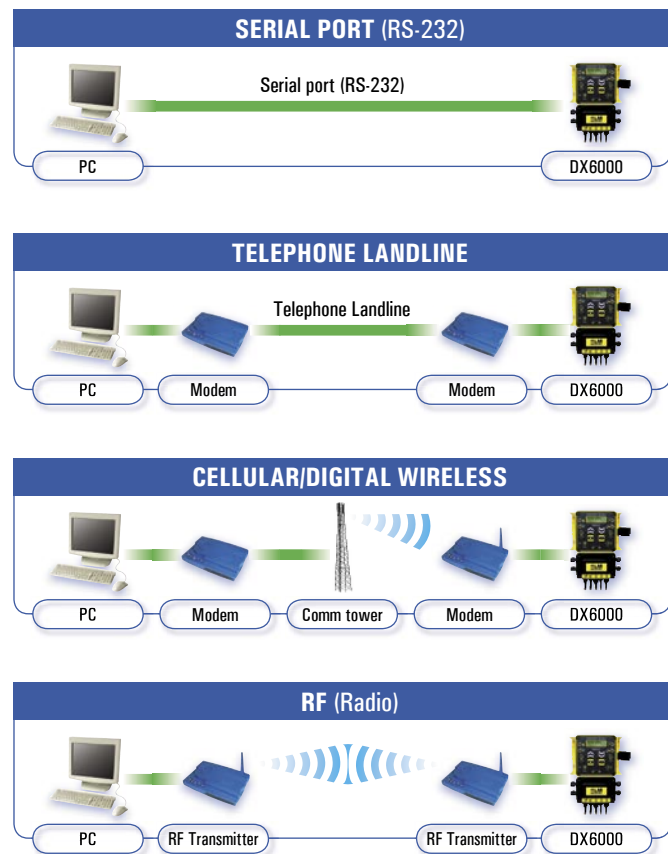
Enclosure

- **NEMA 12X Type (prewired version)**
 - Hardwiring makes the unit suitable for NEMA 4X applications
- **Material**
 - Housing - Flame retardant, molded TPE
 - Cover - Clear molded polycarbonate, lockable
- **Environment**
 - 32 °F to 122 °F (0 °C to 50 °C)
 - 0% to 95% (non-condensing) relative humidity
- **Hardware**
 - 115 VAC ON/OFF units provided with a 6 ft (2 m) power cord and plug, plus three 1 ft (30 cm) output power cords for pumps
 - 230 VAC ON/OFF units provided with a 6 ft (2 m) power cord and plug and throughput connectors for hardwire connections of controlled devices

Dimensions



Local and remote communications options



A network of over 100 distributors and sales and service offices.

To find your local representative, visit our website:

www.miltonroy-europe.com

Liquitron™ DX6000 Series - Ref.: 160.7415.201 N - 03/06 - Rev. A

All rights reserved for modification without prior notice - SIREN 663 650 547 B - RC Evreux - Printed in France.

www.motralec.com / service-commercial@motralec.com / 01.39.97.65.10