

NKM-G NKP-G

STANDARDISED ENBLOC CENTRIFUGAL PUMPS

**CONDITIONING, IRRIGATION, WATER TRANSFER,
PRESSURIZATION, INDUSTRIAL APPLICATION**



Enbloc centrifugal electric pumps with integral shaft designed for a wide range of applications, such as:

- Water supply.
- Circulation of hot water for central heating.
- Circulation of cold water for air conditioning and refrigerating.
- Transfer of liquids in agriculture, horticulture and industries.
- Implementation of pumping systems.

Pump construction characteristics:

Single-stage, cast iron spiral body made to DIN-EN 733 (formerly DIN 24255), cast iron support, flanges in accordance with DIN 2533. Cast iron impeller, encased and dynamically balanced with compensation of the axial thrust by means of balancing holes, operating (on request) with interchangeable consumable rings. AISI 304 stainless steel pump shaft.

Seal: standardised mechanical seal made to DIN 24960 in carbon / carborundum with O' rings in EPDM.

Motor construction characteristics:

Closed, asynchronous motor with external ventilation, 2 poles for NKP and 4 poles for NKM. Rotor mounted on oversized ball bearings to ensure silent running and long life. We recommend using overload protection for

the motor, in accordance with current norms. In the case of liquids denser than water, the motors must be proportionally more powerful.

Built to: IEC 2-3 standards.

Protection level: IP 55.

Insulation level: F.

Standard voltage: 230/400 V 50 Hz up to 2,2 Kw included 400 V Δ 50 Hz over 2,2 Kw.

Speed of rotation: 1450 - 2900 1/min.

Operating range: from 1 to 105 m³/h with head up to 96 metres.

Characteristics of pumped liquid: clean, free from solids or abrasive substances, not viscous, not aggressive, not crystallised and chemically neutral and close to the characteristics of water.

Liquid temperature range: from -10°C to +140°C.

Maximum ambient temperature: +40°C.

Maximum operating pressure: 16 bar - 1600 kPa.

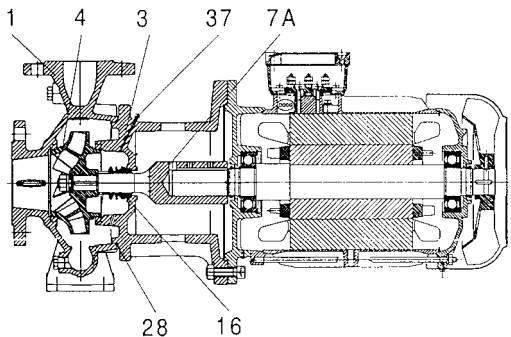
Flanging: PN 16 DIN 2533.

Installation: normally horizontal or vertical provided the motor is always above the pump.

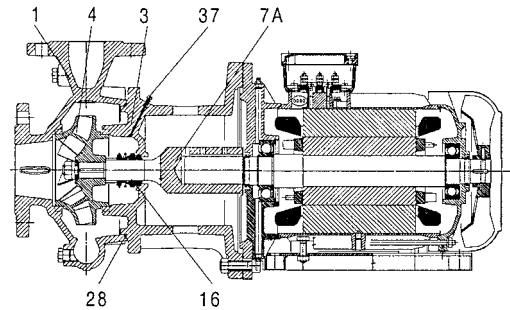
Special versions on request: pumps for liquids other than water. Other voltages and/or frequencies.

CENTRIFUGAL PUMPS

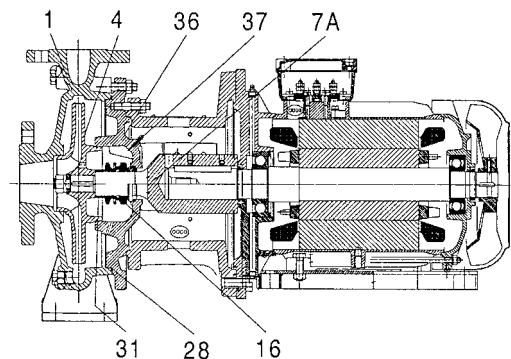
VERSION WITH MOTOR UP TO 7,5 KW COMPRESSED



VERSION WITH MOTOR OVER 7,5 KW



VERSION FOR MODELS: NKM-G 65-315/309/A/BAQE/11/4,
NKM-G100-315/316/A/BAQE/22/4, NKM-G125-250/243/A/BAQE/15/4,
NKM-G 80-200/200/A/BAQE/4/4,
NKM-G 80-250/270/A/BAQE/11/4, NKM-G 80-315/305/A/BAQE/15 /4,
NKM-G 80-315/320/A/BAQE/18,5/4, NKM-G 80-315/334/A/BAQE/22/4
NKM-G100-250/250/A/BAQE/11/4, NKM-G150-200/218/A/BAQE/11/4



N.	PARTS	MATERIALS (STANDARD VERSION)
1	PUMP BODY	250 UNI ISO 185 CAST IRON
3	SUPPORT	250 UNI ISO 185 CAST IRON
4	IMPELLER	250 UNI ISO 185 CAST IRON
7A	PUMP SHAFT	AISI 304 - UNI 6900/71 STAINLESS STEEL
16	MECHANICAL SEAL	CARBON/CARBORUNDUM - EPDM
28	O RING	VITON
31	SPACER SEAL	AISI 304 - UNI 6900/71 STAINLESS STEEL
36	SEAL HOLDER DISK	250 UNI ISO 185 CAST IRON
37	BLEED COCK	AISI 304 - UNI 6900/71 STAINLESS STEEL

N.	PARTS	MATERIALS (STANDARD VERSION)
4	IMPELLER	BRONZE GCuSn5Zn5Pb5 UNI 7013/8a-72
16	MECHANICAL SEAL	CARBON/CARBORUNDUM - PTFE CARBORUNDUM/ CARBORUNDUM - VITON CARBON/CARBORUNDUM - VITON

NKM-G NKP-G

STANDARDISED ENBLOC CENTRIFUGAL PUMPS

TECHNICAL DATA - NKM-G 4 POLES (1450 1/min)

CAST IRON IMPELLER

MODEL	CODE	ELECTRICAL DATA				DNA	DNM	WEIGHT KG
		VOLTAGE 50 Hz	P2 NOMINAL		In A			
			KW	HP				
NKM-G 32-125.1/140/A/BAQE/0.25/4	1D1K11BX3	3 x 230 - 400 V ~	0.25	0.33	1,2/0,7	50	32	32,8
NKM-G 32-125/142/A/BAQE/ 0.37/4	1D1111B13	3 x 230 - 400 V ~	0.37	0.5	2/1,18	50	32	33,5
NKM-G 32-160.1 169/A/BAQE/0.37/4	1D1L11B13	3 x 230 - 400 V ~	0.37	0.5	2/1,18	50	32	35,6
NKM-G 32-160/169/A/BAQE/0,55/4	1D1211B23	3 x 230 - 400 V ~	0.55	0.75	2,8/1,6	50	32	39,8
NKM-G 32-200.1 200/A/BAQE/0,55/4	1D1M11B23	3 x 230 - 400 V ~	0.55	0.75	2,8/1,6	50	32	45
NKM-G 32-200/200/A/BAQE/ 0,75/4*	1D1311B3C	3 x 230 - 400 V ~	0.75	1	3,8/2,2	50	32	48,5
NKM-G 32-200/219/A/BAQE/ 1,1 /4*	1D1311B4C	3 x 230 - 400 V ~	1.1	1.5	5/2,9	50	32	51
NKM-G 40-125/115/A/BAQE/ 0.25/4	1D2111BXC	3 x 230 - 400 V ~	0.25	0.33	1,2/0,7	65	40	34,2
NKM-G 40-125/130/A/BAQE/ 0.37/4	1D2111B1C	3 x 230 - 400 V ~	0.37	0.5	2/1,18	65	40	35,3
NKM-G 40-125/142/A/BAQE/ 0.55/4	1D2111B2C	3 x 230 - 400 V ~	0.55	0.75	2,9/1,7	65	40	39,4
NKM-G 40-160/153/A/BAQE/ 0.55/4	1D2211B2C	3 x 230 - 400 V ~	0.55	0.75	2,8/1,6	65	40	40
NKM-G 40-160/166/A/BAQE/ 0.75/4*	1D2211B3C	3 x 230 - 400 V ~	0.75	1	3,8/2,2	65	40	41,9
NKM-G 40-200/200/A/BAQE/ 1,1 /4*	1D2311B4C	3 x 230 - 400 V ~	1.1	1.5	4,7/2,7	65	40	51
NKM-G 40-200/219/A/BAQE/ 1,5 /4*	1D2311B5C	3 x 230 - 400 V ~	1.5	2	6,2/3,6	65	40	56
NKM-G 40-250/245/A/BAQE/ 2,2 /4*	1D2411B6C	3 x 230 - 400 V ~	2.2	3	9,3/5,4	65	40	73
NKM-G 40-250/260/A/BAQE/ 3 /4*	1D2411B7D	3 x 400 V ~	3	4	6,8	65	40	75
NKM-G 50-125/130/A/BAQE/ 0.55/4	1D3111B2C	3 x 230 - 400 V ~	0.55	0.75	2,9/1,7	65	50	43
NKM-G 50-125/141/A/BAQE/ 0.75/4*	1D3111B3C	3 x 230 - 400 V ~	0.75	1	3,8/2,2	65	50	43,6
NKM-G 50-160/161/A/BAQE/ 1.1 /4*	1D3211B4C	3 x 230 - 400 V ~	1.1	1.5	4,7/2,7	65	50	47
NKM-G 50-160/177/A/BAQE/ 1,5 /4*	1D3211B5C	3 x 230 - 400 V ~	1.5	2	6,2/3,6	65	50	48,5
NKM-G 50-200/210/A/BAQE/ 2,2 /4*	1D3311B6C	3 x 230 - 400 V ~	2.2	3	9,3/5,4	65	50	65
NKM-G 50-200/219/A/BAQE/ 3 /4*	1D3311B7D	3 x 400 V ~	3	4	6,8	65	50	68
NKM-G 50-250/263/A/BAQE/ 4 /4*	1D3411B8D	3 x 400 V ~	4	5.5	8,5	65	50	75
NKM-G 65-125/130/A/BAQE/ 0.75/4*	1D4111B3C	3 x 230 - 400 V ~	0.75	1	3,8/2,2	80	65	58
NKM-G 65-125/144/A/BAQE/ 1.1 /4*	1D4111B4C	3 x 230 - 400 V ~	1.1	1.5	4,7/2,7	80	65	49,5
NKM-G 65-160/153/A/BAQE/ 1,1 /4*	1D4211B4C	3 x 230 - 400 V ~	1.1	1.5	4,7/2,7	80	65	52
NKM-G 65-160/165/A/BAQE/ 1,5 /4*	1D4211B5C	3 x 230 - 400 V ~	1.5	2	6,2/3,6	80	65	54
NKM-G 65-160/177/A/BAQE/ 2,2 /4*	1D4211B6C	3 x 230 - 400 V ~	2.2	3	9,2/5,3	80	65	62
NKM-G 65-200/210/A/BAQE/ 3 /4*	1D4311B7D	3 x 400 V ~	3	4	6,8	80	65	72
NKM-G 65-200/219/A/BAQE/ 4 /4*	1D4311B8D	3 x 400 V ~	4	5.5	8,5	80	65	77
NKM-G 65-250/263/A/BAQE/ 5,5 /4*	1D4511B9D	3 x 400 V ~	5.5	7.5	11,3	80	65	136
NKM-G 65-315/279/A/BAQE/ 7,5 /4*	1D4511BAD	3 x 400 V ~	7.5	10	14,7	80	65	157
NKM-G 65-315/309/A/BAQE/11 /4*	1D4511BBD	3 x 400 V ~	11	15	22	80	65	206
NKM-G 80-160/153-136/A/BAQE/1.5/4*	1D5211B5C	3 x 230 - 400 V ~	1.5	2	6,2/3,6	100	80	60
NKM-G 80-160/163/A/BAQE/ 2,2 /4*	1D5211B6C	3 x 230 - 400 V ~	2.2	3	9,3/5,4	100	80	71
NKM-G 80-160/177/A/BAQE/ 3 /4*	1D5211B7D	3 x 400 V ~	3	4	6,8	100	80	74
NKM-G 80-200/200/A/BAQE/ 4 /4*	1D5311B8D	3 x 400 V ~	4	5.5	8,5	100	80	102
NKM-G 80-200/222/A/BAQE/ 5,5 /4*	1D5311B9D	3 x 400 V ~	5.5	7.5	11,3	100	80	124
NKM-G 80-250/240/A/BAQE/ 7,5 /4*	1D5411BAD	3 x 400 V ~	7.5	10	14,7	100	80	152
NKM-G 80-250/270/A/BAQE/11 /4*	1D5411BBD	3 x 400 V ~	11	15	22	100	80	180
NKM-G 80-315/305/A/BAQE/15 /4*	1D5511BCD	3 x 400 V ~	15	20	29	100	80	227
NKM-G 80-315/320/A/BAQE/18,5 /4*	1D5511BDD	3 x 400 V ~	18.5	25	35	100	80	259
NKM-G 80-315/334/A/BAQE/22 /4*	1D5511BED	3 x 400 V ~	22	30	41	100	80	256
NKM-G100-200/200/A/BAQE/ 5.5 /4*	1D6311B9D	3 x 400 V ~	5.5	7.5	11,3	125	100	136
NKM-G100-200/214/A/BAQE/ 7.5 /4*	1D6311BAD	3 x 400 V ~	7.5	10	14,7	125	100	140
NKM-G100-250/250/A/BAQE/11 /4*	1D6411BBD	3 x 400 V ~	11	15	22	125	100	189
NKM-G100-250/270/A/BAQE/15 /4*	1D6411BCD	3 x 400 V ~	15	20	29	125	100	227
NKM-G100-315/300/A/BAQE/18.4 /4*	1D6511BDD	3 x 400 V ~	18.5	25	35	125	100	253
NKM-G100-315/316/A/BAQE/22 /4*	1D6511BED	3 x 400 V ~	22	30	41	125	100	261
NKM-G125-250/243/A/BAQE/15 /4*	1D7411BCD	3 x 400 V ~	15	20	29	150	125	232
NKM-G125-250/256/A/BAQE/18,5/4*	1D7411BDD	3 x 400 V ~	18.5	25	35	150	125	253
NKM-G125-250/266/A/BAQE/22/4*	1D7411BED	3 x 400 V ~	22	30	41	150	125	271
NKM-G150-200/218/A/BAQE/11 /4*	1D8311BBD	3 x 400 V ~	11	15	22	150	125	260

NKM-G NKP-G

STANDARDISED ENBLOC CENTRIFUGAL PUMPS

TECHNICAL DATA - NKM-G 4 POLES (1450 1/min)

BRONZE IMPELLER

MODEL	CODE	ELECTRICAL DATA				DNA	DNM	WEIGHT KG
		VOLTAGE 50 Hz	P2 NOMINAL		In A			
			kW	HP				
NKM-G 32-125.1/140/B/BAQE /0.25/4	1D1K21BX3	3 x 230 - 400 V ~	0.25	0.33	1,2/0,7	50	32	32,8
NKM-G 32-125/142/B/BAQE / 0.37/4	1D1121B13	3 x 230 - 400 V ~	0.37	0.5	2/1,18	50	32	33,5
NKM-G 32-160.1169/B/BAQE /0.37/4	1D1L21B13	3 x 230 - 400 V ~	0.37	0.5	2/1,18	50	32	35,6
NKM-G 32-160/169/B/BAQE /0,55/4	1D1221B23	3 x 230 - 400 V ~	0.55	0.75	2,8/1,6	50	32	39,8
NKM-G 32-200.1200/B/BAQE /0,55/4	1D1M21B23	3 x 230 - 400 V ~	0.55	0.75	2,8/1,6	50	32	45
NKM-G 32-200/200/B/BAQE / 0,75/4*	1D1321B3C	3 x 230 - 400 V ~	0.75	1	3,8/2,2	50	32	48,5
NKM-G 32-200/219/B/BAQE / 1,1 /4*	1D1321B4C	3 x 230 - 400 V ~	1.1	1.5	5/2,9	50	32	51
NKM-G 40-125/115/B/BAQE / 0.25/4	1D2121BXC	3 x 230 - 400 V ~	0.25	0.33	1,2/0,7	65	40	34,2
NKM-G 40-125/130/B/BAQE / 0.37/4	1D2121B1C	3 x 230 - 400 V ~	0.37	0.5	2/1,18	65	40	35,3
NKM-G 40-125/142/B/BAQE / 0.55/4	1D2121B2C	3 x 230 - 400 V ~	0.55	0.75	2,9/1,7	65	40	39,4
NKM-G 40-160/153/B/BAQE / 0.55/4	1D2221B2C	3 x 230 - 400 V ~	0.55	0.75	2,8/1,6	65	40	40
NKM-G 40-160/166/B/BAQE / 0.75/4*	1D2221B3C	3 x 230 - 400 V ~	0.75	1	3,8/2,2	65	40	41,9
NKM-G 40-200/200/B/BAQE / 1,1 /4*	1D2321B4C	3 x 230 - 400 V ~	1.1	1.5	4,7/2,7	65	40	51
NKM-G 40-200/219/B/BAQE / 1,5 /4*	1D2321B5C	3 x 230 - 400 V ~	1.5	2	6,2/3,6	65	40	56
NKM-G 40-250/245/B/BAQE / 2,2 /4*	1D2421B6C	3 x 230 - 400 V ~	2.2	3	9,3/5,4	65	40	73
NKM-G 40-250/260/B/BAQE / 3 /4*	1D2421B7D	3 x 400 V ~	3	4	6,8	65	40	75
NKM-G 50-125/130/B/BAQE / 0.55/4	1D3121B2C	3 x 230 - 400 V ~	0.55	0.75	2,9/1,7	65	50	43
NKM-G 50-125/141/B/BAQE / 0.75/4*	1D3121B3C	3 x 230 - 400 V ~	0.75	1	3,8/2,2	65	50	44
NKM-G 50-160/161/B/BAQE / 1.1 /4*	1D3221B4C	3 x 230 - 400 V ~	1.1	1.5	4,7/2,7	65	50	47
NKM-G 50-160/177/B/BAQE / 1,5 /4*	1D3221B5C	3 x 230 - 400 V ~	1.5	2	6,2/3,6	65	50	48,5
NKM-G 50-200/210/B/BAQE / 2,2 /4*	1D3321B6C	3 x 230 - 400 V ~	2.2	3	9,3/5,4	65	50	64
NKM-G 50-200/219/B/BAQE / 3 /4*	1D3321B7D	3 x 400 V ~	3	4	6,8	65	50	68
NKM-G 50-250/263/B/BAQE / 4 /4*	1D3421B8D	3 x 400 V ~	4	5.5	8,5	65	50	75
NKM-G 65-125/130/B/BAQE / 0.75/4*	1D4121B3C	3 x 230 - 400 V ~	0.75	1	3,8/2,2	80	65	58
NKM-G 65-125/144/B/BAQE / 1.1 /4*	1D4121B4C	3 x 230 - 400 V ~	1.1	1.5	4,7/2,7	80	65	49,5
NKM-G 65-160/153/B/BAQE / 1,1 /4*	1D4221B4C	3 x 230 - 400 V ~	1.1	1.5	4,7/2,7	80	65	52
NKM-G 65-160/165/B/BAQE / 1,5 /4*	1D4221B5C	3 x 230 - 400 V ~	1.5	2	6,2/3,6	80	65	54
NKM-G 65-160/177/B/BAQE / 2,2 /4*	1D4221B6C	3 x 230 - 400 V ~	2.2	3	9,2/5,3	80	65	62
NKM-G 65-200/210/B/BAQE / 3 /4*	1D4321B7D	3 x 400 V ~	3	4	6,8	80	65	72
NKM-G 65-200/219/B/BAQE / 4 /4*	1D4321B8D	3 x 400 V ~	4	5.5	8,5	80	65	77
NKM-G 65-250/263/B/BAQE / 5,5 /4*	1D4421B9D	3 x 400 V ~	5.5	7.5	11,3	80	65	136
NKM-G 65-315/279/B/BAQE / 7,5 /4*	1D4521BAD	3 x 400 V ~	7.5	10	14,7	80	65	157
NKM-G 65-315/309/B/BAQE /11 /4*	1D4521BBD	3 x 400 V ~	11	15	22	80	65	206
NKM-G 80-160/153-136/B/BAQE/1.5/4*	1D5221B5C	3 x 230 - 400 V ~	1.5	2	6,2/3,6	100	80	60
NKM-G 80-160/163/B/BAQE / 2,2 /4*	1D5221B6C	3 x 230 - 400 V ~	2.2	3	9,3/5,4	100	80	71
NKM-G 80-160/177/B/BAQE / 3 /4*	1D5221B7D	3 x 400 V ~	3	4	6,8	100	80	74
NKM-G 80-200/200/B/BAQE / 4 /4*	1D5321B8D	3 x 400 V ~	4	5.5	8,5	100	80	103
NKM-G 80-200/222/B/BAQE / 5,5 /4*	1D5321B9D	3 x 400 V ~	5.5	7.5	11,3	100	80	124
NKM-G 80-250/240/B/BAQE / 7,5 /4*	1D5421BAD	3 x 400 V ~	7.5	10	14,7	100	80	152
NKM-G 80-250/270/B/BAQE /11 /4*	1D5421BBD	3 x 400 V ~	11	15	22	100	80	180
NKM-G 80-315/305/B/BAQE /15 /4*	1D5521BCD	3 x 400 V ~	15	20	29	100	80	227
NKM-G 80-315/320/B/BAQE /18,5 /4*	1D5521BDD	3 x 400 V ~	18.5	25	35	100	80	259
NKM-G 80-315/334/B/BAQE /22/4*	1D5521BED	3 x 400 V ~	22	30	41	100	80	256
NKM-G100-200/200/B/BAQE /5.5 /4*	1D6321B9D	3 x 400 V ~	5.5	7.5	11,3	125	100	136
NKM-G100-200/214/B/BAQE / 7.5 /4*	1D6321BAD	3 x 400 V ~	7.5	10	14,7	125	100	145
NKM-G100-250/250/B/BAQE /11 /4*	1D6421BBD	3 x 400 V ~	11	15	22	125	100	189
NKM-G100-250/270/B/BAQE /15 /4*	1D6421BCD	3 x 400 V ~	15	20	29	125	100	227
NKM-G100-315/300/B/BAQE /18.5 /4*	1D6521BDD	3 x 400 V ~	18.5	25	35	125	100	253
NKM-G100-315/316/B/BAQE /22 /4*	1D6521BED	3 x 400 V ~	22	30	41	125	100	262
NKM-G125-250/243/B/BAQE /15 /4*	1D7421BCD	3 x 400 V ~	15	20	29	150	125	235
NKM-G125-250/256/B/BAQE /18,5 /4*	1D7421BDD	3 x 400 V ~	18.5	25	35	150	125	257
NKM-G125-250/266/B/BAQE /22 /4*	1D7421BED	3 x 400 V ~	22	30	41	150	125	271
NKM-G150-200/218/B/BAQE /11 /4*	1D8321BBD	3 x 400 V ~	11	15	22	150	125	262

* NEW IE2 MOTOR

NKM-G NKP-G

STANDARDISED ENBLOC CENTRIFUGAL PUMPS

TECHNICAL DATA - NKP-G 2 POLES (2900 1/min)

CAST IRON IMPELLER

MODEL	CODE	ELECTRICAL DATA				DNA	DNM	WEIGHT KG
		VOLTAGE 50 Hz	P2 NOMINAL		In A			
			kW	HP				
NKP-G 32-125.1/102/A/BAQE /0.75/2*	1D1K11B3A	3 x 230 - 400 V ~	0,75	1	3.2 - 1.9	50	32	37
NKP-G 32-125.1/115/A/BAQE /1.1/2*	1D1K11B4A	3 x 230 - 400 V ~	1,1	1.5	4.5 - 2.6	50	32	39
NKP-G 32-125.1/125/A/BAQE /1.5/2*	1D1K11B5A	3 x 230 - 400 V ~	1,5	2	5.9 - 3.4	50	32	40,5
NKP-G 32-125.1/140/A/BAQE/2.2/2*	1D1K11B6A	3 x 230 - 400 V ~	2,2	3	8.5 - 4.9	50	32	44
NKP-G 32-125/110/A/BAQE / 1.1 /2*	1D1111B4A	3 x 230 - 400 V ~	1,1	1.5	4.5 - 2.6	50	32	35,8
NKP-G 32-125/120/A/BAQE / 1.5 /2*	1D1111B5A	3 x 230 - 400 V ~	1,5	2	5.9 - 3.4	50	32	40
NKP-G 32-125/130/A/BAQE / 2.2 /2*	1D1111B6A	3 x 230 - 400 V ~	2,2	3	8.5 - 4.9	50	32	43,6
NKP-G 32-125/142/A/BAQE / 3 /2*	1D1111B7B	3 x 400 V ~	3,0	4	6.4	50	32	57
NKP-G 32-160.1 155/A/BAQE/2.2/2*	1D1L11B6A	3 x 230 - 400 V ~	2,2	3	5.5 - 4.9	50	32	45
NKP-G 32-160.1 166/A/BAQE /3 /2*	1D1L11B7B	3 x 400 V ~	3,0	4	6.4	50	32	51
NKP-G 32-160/151 /A/BAQE /3 /2*	1D1211B7B	3 x 400 V ~	3,0	4	6.4	50	32	54
NKP-G 32-160/163 /A/BAQE /4 /2*	1D1211B8B	3 x 400 V ~	4,0	5.5	8.5	50	32	56
NKP-G 32-160/177/A/BAQE /5,5/2*	1D1211B9B	3 x 400 V ~	5,5	7.5	10.6	50	32	82
NKP-G 32-200.1 188/A/BAQE /4 /2	1D1M11B8B	3 x 400 V ~	4,0	5.5	8.5	50	32	62
NKP-G 32-200.1 205/A/BAQE /5,5/2*	1D1M11B9B	3 x 400 V ~	5,5	7.5	10.6	50	32	85
NKP-G 32-200/190/A/BAQE / 5.5 /2*	1D1311B9B	3 x 400 V ~	5,5	7.5	10.6	50	32	88
NKP-G 32-200/210/A/BAQE / 7.5 /2*	1D1311BAB	3 x 400 V ~	7,5	10	14.1	50	32	92
NKP-G 40-125/107/A/BAQE / 1.5 /2*	1D2111B5A	3 x 230 - 400 V ~	1,5	2	5.9 - 3.4	65	40	41,6
NKP-G 40-125/120/A/BAQE / 2.2 /2*	1D2111B6A	3 x 230 - 400 V ~	2,2	3	8.5 - 4.9	65	40	46
NKP-G 40-125/130/A/BAQE / 3/2*	1D2111B7B	3 x 400 V ~	3,0	4	6.4	65	40	56
NKP-G 40-125/139/A/BAQE / 4 /2*	1D2111B8B	3 x 400 V ~	4,0	5.5	8.5	65	40	59
NKP-G 40-160/158/A/BAQE / 5,5 /2*	1D2211B9B	3 x 400 V ~	5,5	7.5	10.6	65	40	82
NKP-G 40-160/172/A/BAQE / 7,5 /2*	1D2211BAB	3 x 400 V ~	7,5	10	14.1	65	40	89
NKP-G 40-200/210/A/BAQE /11 /2*	1D2311BBB	3 x 400 V ~	11,0	15	20.4	65	40	127
NKP-G 40-250/230/A/BAQE /15 /2*	1D2411BCB	3 x 400 V ~	15,0	20	27.5	65	40	142
NKP-G 40-250/245/A/BAQE /18,5 /2*	1D2411BDB	3 x 400 V ~	18,5	25	33.5	65	40	177
NKP-G 40-250/260/A/BAQE/22 /2*	1D2411BEB	3 x 400 V ~	22,0	30	39.5	65	40	182
NKP-G 50-125/115/A/BAQE / 3 /2*	1D3111B7B	3 x 400 V ~	3,0	4	6.4	65	50	57
NKP-G 50-125/125/A/BAQE / 4 /2*	1D3111B8B	3 x 400 V ~	4,0	5.5	8.5	65	50	66
NKP-G 50-125/135/A/BAQE / 5,5 /2*	1D3111B9B	3 x 400 V ~	5,5	7.5	10.6	65	50	84
NKP-G 50-125/144/A/BAQE / 7,5 /2*	1D3111BAB	3 x 400 V ~	7,5	10	14.1	65	50	87
NKP-G 50-160/153/A/BAQE / 7.5 /2*	1D3211BAB	3 x 400 V ~	7,5	10	14.1	65	50	94
NKP-G 50-160/169/A/BAQE /11 /2*	1D3211BBB	3 x 400 V ~	11,0	15	20.4	65	50	115
NKP-G 50-200/200/A/BAQE /15 /2*	1D3311BCB	3 x 400 V ~	15,0	20	27.5	65	50	138
NKP-G 50-200/210/A/BAQE /18,5 /2*	1D3311BDB	3 x 400 V ~	18,5	25	33.5	65	50	166
NKP-G 50-200/219/A/BAQE/22 /2*	1D3311BEB	3 x 400 V ~	22,0	30	39.5	65	50	179
NKP-G 50-250/230/A/BAQE/22 /2*	1D3411BEB	3 x 400 V ~	22,0	30	39.5	65	50	182
NKP-G 50-250/257/A/BAQE /30 /2*	1D3411BFB	3 x 400 V ~	30,0	40	52.5	65	50	325
NKP-G 65-125/120-110/A/BAQE /4/2*	1D4111B8B	3 x 400 V ~	4,0	5.5	8.5	80	65	64
NKP-G 65-125/127/A/BAQE / 5,5 /2*	1D4111B9B	3 x 400 V ~	5,5	7.5	10.6	80	65	86
NKP-G 65-125/137/A/BAQE / 7,5 /2*	1D4111BAB	3 x 400 V ~	7,5	10	14.1	80	65	91
NKP-G 65-160/157/E1287A/BAQE /1/2*	1D4211BBB	3 x 400 V ~	11,0	15	20.4	80	65	122
NKP-G 65-160/173/A/BAQE /15 /2*	1D4211BCB	3 x 400 V ~	15,0	20	27.5	80	65	134
NKP-G 65-200/190/A/BAQE /18,5 /2*	1D4311BDB	3 x 400 V ~	18,5	25	33.5	80	65	165
NKP-G 65-200/200/A/BAQE/22 /2*	1D4311BEB	3 x 400 V ~	22,0	30	39.5	80	65	183
NKP-G 65-200/219/A/BAQE /30 /2*	1D4311BFB	3 x 400 V ~	30,0	40	52.5	80	65	234
NKP-G 80-160/147-127/A/BAQE /11 /2*	1D5211BBB	3 x 400 V ~	11,0	15	20.4	100	80	131
NKP-G 80-160/153/A/BAQE /15 /2*	1D5211BCB	3 x 400 V ~	15,0	20	27.5	100	80	149
NKP-G 80-160/163/A/BAQE /18,5 /2*	1D5211BDB	3 x 400 V ~	18,5	25	33.5	100	80	173
NKP-G 80-160/169/A/BAQE/22 /2*	1D5211BEB	3 x 400 V ~	22,0	30	39.5	100	80	187
NKP-G 80-200/190/A/BAQE /30 /2*	1D5311BFB	3 x 400 V ~	30,0	40	52.5	100	80	340

* NEW IE2 MOTOR

NKM-G NKP-G

STANDARDISED ENBLOC CENTRIFUGAL PUMPS

TECHNICAL DATA - NKP-G 2 POLES (2900 1/min)

BRONZE IMPELLER

MODEL	CODE	ELECTRICAL DATA				DNA	DNM	WEIGHT KG
		VOLTAGE 50 Hz	P2 NOMINAL		In A			
			kW	HP				
NKP-G 32-125.1/102/B/BAQE/0.75/2*	1D1K21B3A	3 x 230 - 400 V ~	0,75	1	3.2 - 1.9	50	32	37
NKP-G 32-125.1/115/B/BAQE/1.1/2*	1D1K21B4A	3 x 230 - 400 V ~	1,1	1.5	4.5 - 2.6	50	32	39
NKP-G 32-125.1/125/B/BAQE/1.5/2*	1D1K21B5A	3 x 230 - 400 V ~	1,5	2	5.9 - 3.4	50	32	40,5
NKP-G 32-125.1/140/B/BAQE/2.2/2*	1D1K21B6A	3 x 230 - 400 V ~	2,2	3	8.5 - 4.9	50	32	44
NKP-G 32-125/110/B/BAQE/ 1.1 /2*	1D1121B4A	3 x 230 - 400 V ~	1,1	1.5	4.5 - 2.6	50	32	35,8
NKP-G 32-125/120/B/BAQE/ 1.5 /2*	1D1121B5A	3 x 230 - 400 V ~	1,5	2	5.9 - 3.4	50	32	40
NKP-G 32-125/130/B/BAQE/ 2.2 /2*	1D1121B6A	3 x 230 - 400 V ~	2,2	3	8.5 - 4.9	50	32	43,6
NKP-G 32-125/142/B/BAQE/ 3 /2*	1D1121B7B	3 x 400 V ~	3,0	4	6.4	50	32	57
NKP-G 32-160.1 155/B/BAQE/2.2/2*	1D1L21B6A	3 x 230 - 400 V ~	2,2	3	5.5 - 4.9	50	32	45
NKP-G 32-160.1 166/B/BAQE/3 /2*	1D1L21B7B	3 x 400 V ~	3,0	4	6.4	50	32	51
NKP-G 32-160/151 /B/BAQE/3 /2*	1D1221B7B	3 x 400 V ~	3,0	4	6.4	50	32	54
NKP-G 32-160/163 /B/BAQE/4 /2*	1D1221B8B	3 x 400 V ~	4,0	5.5	8.5	50	32	56
NKP-G 32-160/177 /B/BAQE/5,5/2*	1D1221B9B	3 x 400 V ~	5,5	7.5	10.6	50	32	82
NKP-G 32-200.1 188/B/BAQE/4 /2*	1D1M21B8B	3 x 400 V ~	4,0	5.5	8.5	50	32	62
NKP-G 32-200.1 205/B/BAQE/5,5/2*	1D1M21B9B	3 x 400 V ~	5,5	7.5	10.6	50	32	85
NKP-G 32-200/190/B/BAQE/ 5.5 /2*	1D1321B9B	3 x 400 V ~	5,5	7.5	10.6	50	32	88
NKP-G 32-200/210/B/BAQE/ 7.5 /2*	1D1321BAB	3 x 400 V ~	7,5	10	14.1	50	32	92
NKP-G 40-125/107/B/BAQE/ 1.5 /2*	1D2121B5A	3 x 230 - 400 V ~	1,5	2	5.9 - 3.4	65	40	41,6
NKP-G 40-125/120/B/BAQE/ 2.2 /2*	1D2121B6A	3 x 230 - 400 V ~	2,2	3	8.5 - 4.9	65	40	46
NKP-G 40-125/130/B/BAQE/ 3 /2*	1D2121B7B	3 x 400 V ~	3,0	4	6.4	65	40	56
NKP-G 40-125/139/B/BAQE/ 4 /2*	1D2121B8B	3 x 400 V ~	4,0	5.5	8.5	65	40	59
NKP-G 40-160/158/B/BAQE/ 5,5 /2*	1D2221B9B	3 x 400 V ~	5,5	7.5	10.6	65	40	82
NKP-G 40-160/172/B/BAQE/ 7,5 /2*	1D2221BAB	3 x 400 V ~	7,5	10	14.1	65	40	89
NKP-G 40-200/210/B/BAQE/11 /2*	1D2321BBB	3 x 400 V ~	11,0	15	20.4	65	40	127
NKP-G 40-250/230/B/BAQE/15 /2*	1D2421BCB	3 x 400 V ~	15,0	20	27.5	65	40	142
NKP-G 40-250/245/B/BAQE/18,5 /2*	1D2421BDB	3 x 400 V ~	18,5	25	33.5	65	40	177
NKP-G 40-250/260/B/BAQE/22 /2*	1D2421BEB	3 x 400 V ~	22,0	30	39.5	65	40	182
NKP-G 50-125/115/B/BAQE/ 3 /2*	1D3121B7B	3 x 400 V ~	3,0	4	6.4	65	50	57
NKP-G 50-125/125/B/BAQE/ 4 /2*	1D3121B8B	3 x 400 V ~	4,0	5.5	8.5	65	50	66
NKP-G 50-125/135/B/BAQE/ 5,5 /2*	1D3121B9B	3 x 400 V ~	5,5	7.5	10.6	65	50	84
NKP-G 50-125/144/B/BAQE/ 7,5 /2*	1D3121BAB	3 x 400 V ~	7,5	10	14.1	65	50	87
NKP-G 50-160/153/B/BAQE/ 7,5 /2*	1D3221BAB	3 x 400 V ~	7,5	10	14.1	65	50	94
NKP-G 50-160/169/B/BAQE/11 /2*	1D3221BBB	3 x 400 V ~	11,0	15	20.4	65	50	115
NKP-G 50-200/200/B/BAQE/15 /2*	1D3321BCB	3 x 400 V ~	15,0	20	27.5	65	50	138
NKP-G 50-200/210/B/BAQE/18,5 /2*	1D3321BDB	3 x 400 V ~	18,5	25	33.5	65	50	166
NKP-G 50-200/219/B/BAQE/22/2*	1D3321BEB	3 x 400 V ~	22,0	30	39.5	65	50	179
NKP-G 50-250/230/B/BAQE/22/2*	1D3421BEB	3 x 400 V ~	22,0	30	39.5	65	50	182
NKP-G 50-250/257/B/BAQE/30/2*	1D3421BFB	3 x 400 V ~	30,0	40	52.5	65	50	325
NKP-G 65-125/120-110/B/BAQE/4/2*	1D4121B8B	3 x 400 V ~	4,0	5.5	8.5	80	65	64
NKP-G 65-125/127/B/BAQE/ 5,5 /2*	1D4121B9B	3 x 400 V ~	5,5	7.5	10.6	80	65	86
NKP-G 65-125/137/B/BAQE/ 7,5 /2*	1D4121BAB	3 x 400 V ~	7,5	10	14.1	80	65	91
NKP-G 65-160/157/B/BAQE/11/2*	1D4221BBB	3 x 400 V ~	11,0	15	20.4	80	65	122
NKP-G 65-160/173/B/BAQE/15/2*	1D4221BCB	3 x 400 V ~	15,0	20	27.5	80	65	134
NKP-G 65-200/190/B/BAQE/18,5 /2*	1D4321BDB	3 x 400 V ~	18,5	25	33.5	80	65	165
NKP-G 65-200/200/B/BAQE/22/2*	1D4321BEB	3 x 400 V ~	22,0	30	39.5	80	65	183
NKP-G 65-200/219/B/BAQE/30 /2*	1D4321BFB	3 x 400 V ~	30,0	40	52.5	80	65	234
NKP-G 80-160/147-127/BAQE/11 /2*	1D5221BBB	3 x 400 V ~	11,0	15	20.4	100	80	131
NKP-G 80-160/153/B/BAQE/15 /2*	1D5221BCB	3 x 400 V ~	15,0	20	27.5	100	80	149
NKP-G 80-160/163/B/BAQE/18,5 /2*	1D5221BDB	3 x 400 V ~	18,5	25	33.5	100	80	173
NKP-G 80-160/169/B/BAQE/22 /2*	1D5221BEB	3 x 400 V ~	22,0	30	39.5	100	80	187
NKP-G 80-200/190/B/BAQE/30/2*	1D5321BFB	3 x 400 V ~	30,0	40	52.5	100	80	340

* NEW IE2 MOTOR