

# GRINDER 1400 - 1800

## SEWAGE PUMPS WITH CUTTING SYSTEM

### CE SEWAGE AND WASTE WATER FOR SMALL DISCHARGE PIPES



Submersible pump with cast iron pump body, motor casing and adjustment ring impeller. Grinder device in micro casting steel. Stainless steel shaft, handle, filter, bolts and screws. Silicon/carbide mechanical seal, inspectionable oil chamber.

Continuous duty submersible induction motor, in a watertight casing. Rotor mounted on oversized greased sealed-for-life ball bearings. Thermal protection in the windings, to be connected to the control panel. with 10 metres of neoprene rubber power cable.

**In order to operate, the pumps must be equipped with a control and protection system, supplied separately and not connected to the electropumps (see accessories).**

**Liquid temperature range:** from 0°C to +55°C.

**Operating range:** from 2 to 9 m<sup>3</sup>/h with head up to 24,5 mt for the single-phase version and 26,5 mt for the three-phase version.

**Liquid quality requirements:** dirty waste water, untreated sewage containing solids and/or long fibres, always non aggressive.

**Liquid temperature range:** from 0°C to +55°C.

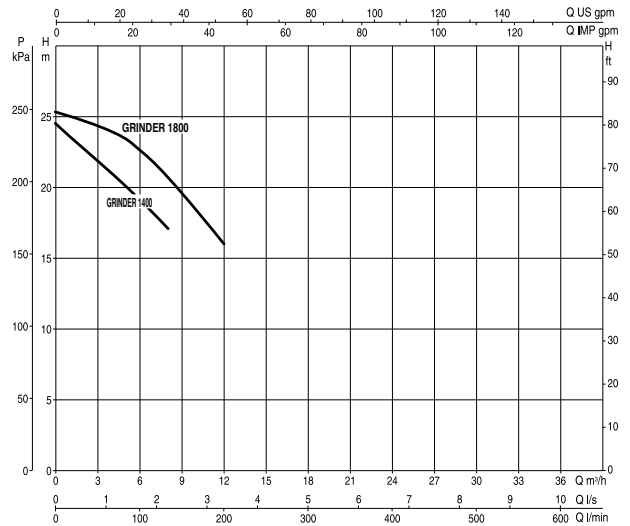
**Maximum ambient temperature for pump operation with the motor emerging:** +40°C.

**Maximum immersion depth:** 10 mt.

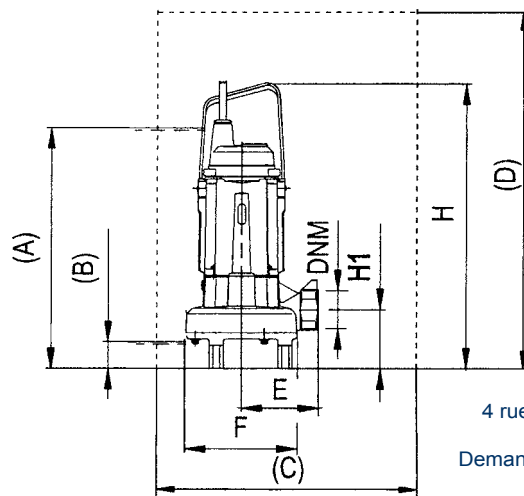
**Installation:** fixed or portable in a vertical position.

## TECHNICAL DATA

MODEL	CODE	ELECTRICAL DATA						
		VOLTAGE 50 HZ	P1 MAX kW	P2 NOMINAL		In A	CAPACITOR	
				kW	HP		µF	Vc
GRINDER 1400 M	103010440	1X220 - 240 V~	1,95	1,1	1,5	8,7	40	450
GRINDER 1800 T	103010560	3X400 V	2	1,5	2,0	3,8	-	-



## DIMENSIONS AND WEIGHTS



**motralec**

4 rue Lavoisier . ZA Lavoisier . 95223 HERBLAY CEDEX  
Tel. : 01.39.97.65.10 / Fax. : 01.39.97.68.48  
Demande de prix / e-mail : [service-commercial@motralec.com](mailto:service-commercial@motralec.com)

[www.motralec.com](http://www.motralec.com)

MODEL	A	B	C	D	E	FØ	DNM GAS	H	H1	Q.TY X PALLET	WEIGHT KG
GRINDER 1400 M	500	50	500x500 min	600 min	150	219	2"	549	109	6	43,2
GRINDER 1800 T	500	50	500x500 min	600 min	150	219	2"	549	109	6	43,2