

FEKA 1400 - 1800

SEWAGE PUMPS



SEWAGE AND WASTE WATER

Submersible pump with cast iron pump body, motor casing and vortex impeller. Stainless steel shaft, handle, filter, bolts and screws. Silicon/carbide mechanical seal, inspectionable oil chamber.

Continuous duty submersible induction motor, in a watertight casing. Rotor mounted on oversized greased sealed-for-life ball bearings. Thermal protection in the windings, to be connected to the control panel. With 10 metres of neoprene rubber power cable.

In order to operate, the pumps must be equipped with a control and protection system, supplied separately and not connected to the electropumps (see accessories).

Liquid temperature range: from 0°C to +55°C.

Operating range: from 3 to 30 m³/h with head up to 14 mt for the single-phase version and 15,5 mt for the three-phase version.

Liquid quality requirements: dirty waste water, untreated sewage containing solids and/or long fibres, always non aggressive.

Liquid temperature range: from 0°C to +55°C.

Maximum ambient temperature for pump operation with the motor emerging: +40°C.

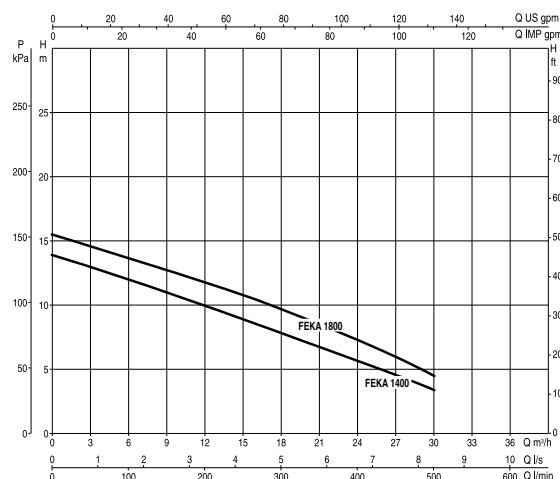
Maximum immersion depth: 10 mt.

Installation: fixed or portable in a vertical position.

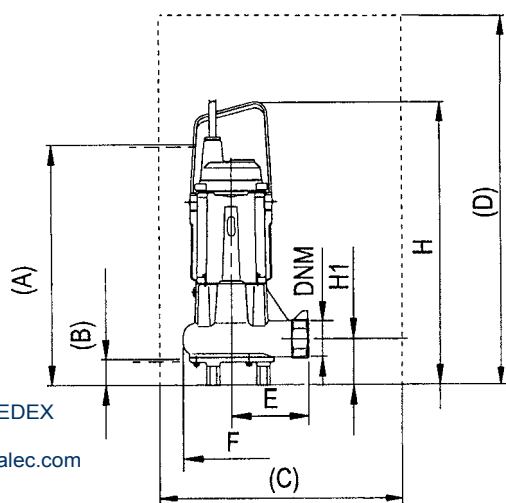
Free passage: 38 mm.

TECHNICAL DATA

MODEL	CODE	ELECTRICAL DATA						
		VOLTAGE 50 HZ	P1 MAX kW	P2 NOMINAL		In A	CAPACITOR	
				kW	HP		µF	Vc
FEKA 1400 M	103010240	1X220 - 240 V~	1,8	1,1	1,5	8,5	40	450
FEKA 1800 T	103010360	3X400 V	1,9	1,5	2,0	3,7	-	-



DIMENSIONS AND WEIGHTS



motralec

4 rue Lavoisier . ZA Lavoisier . 95223 HERBLAY CEDEX

Tel. : 01.39.97.65.10 / Fax. : 01.39.97.68.48

Demande de prix / e-mail : service-commercial@motralec.com

www.motralec.com

MODEL	A	B	C	D	E	FØ	DNM GAS	H	H1	FREE PASSAGE mm	Q.TY X PALLET	WEIGHT KG
FEKA 1400 M	500	50	500x500 min	600 min	160	200	2"	583	94	38	6	41,2
FEKA 1800 T	500	50	500x500 min	600 min	160	200	2"	583	94	38	6	41,8

