

# 2 JET

## SETS WITH 2 SELF-PRIMING PUMPS



Booster sets with 2 self-priming JET pumps complete with base, suction and delivery manifold and 2 membrane vessels.

### ELECTRICAL PANEL

Automatic inverter for exchanging the order of pump starting at each start-up  
Main switch. Float or pressure switch can be inserted as protection against operation without water.

Low voltage auxiliary circuit complete with transformer and fuse.

**The units are supplied with tanks and air feeder connection.**

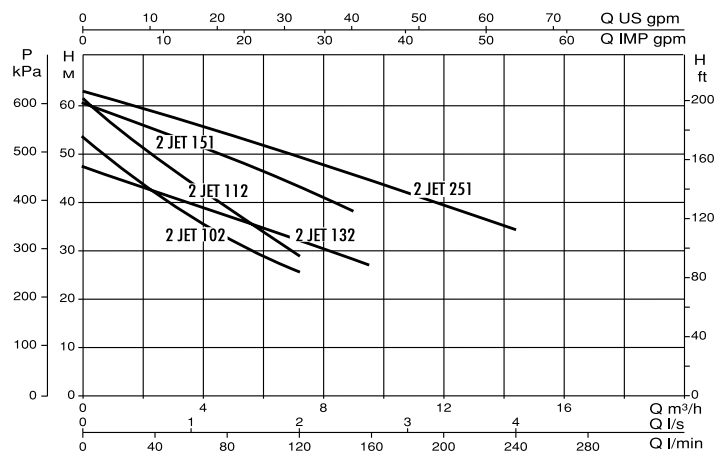
**motralec**

4 rue Lavoisier . ZA Lavoisier . 95223 HERBLAY CEDEX  
Tel. : 01.39.97.65.10 / Fax. : 01.39.97.68.48  
Demande de prix / e-mail : [service-commercial@motralec.com](mailto:service-commercial@motralec.com)  
[www.motralec.com](http://www.motralec.com)

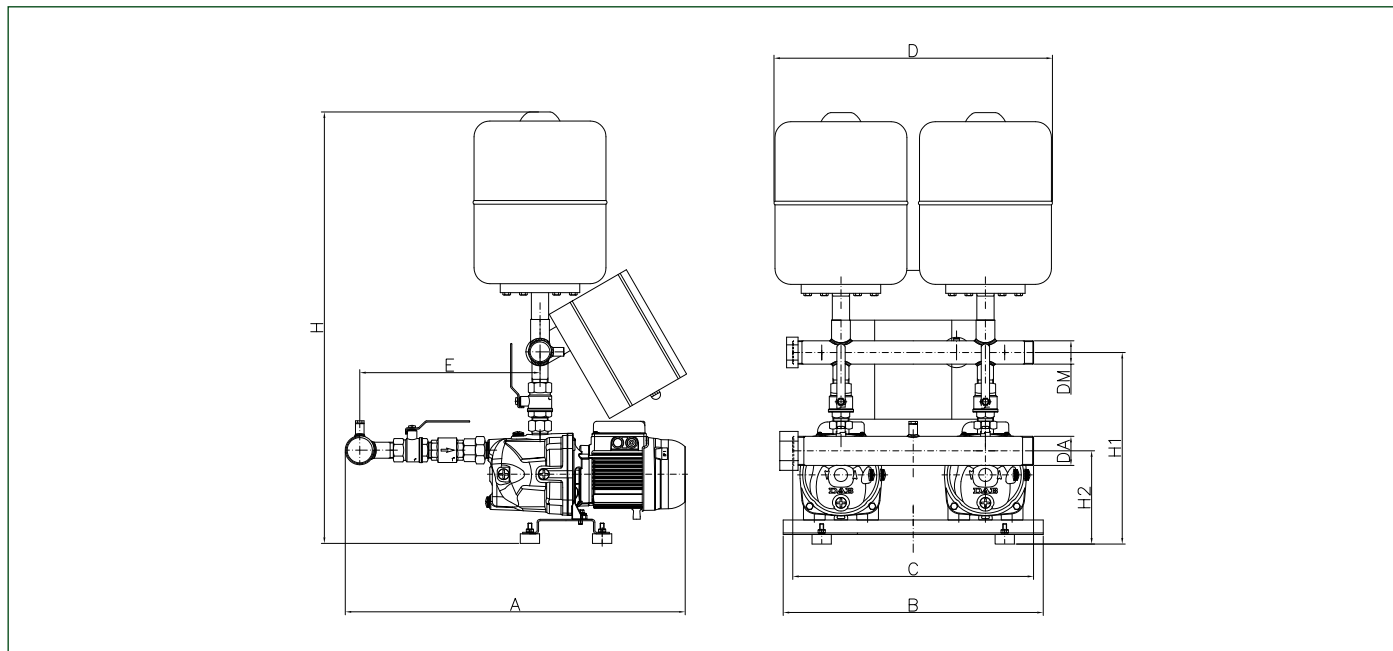
## TECHNICAL DATA

| MODEL       | CODE      | ELECTRICAL DATA |            |        |        | MAX PRESSURE OBTAINABLE BAR | PRESSURE SWITCH SETTING IN BAR |
|-------------|-----------|-----------------|------------|--------|--------|-----------------------------|--------------------------------|
|             |           | VOLTAGE 50 Hz   | P2 NOMINAL |        | In A   |                             |                                |
|             |           |                 | KW X2      | HP X 2 |        |                             |                                |
| 2 JET 102 M | 500121140 | 1 X 230V ~      | 0,75       | 1      | 2x5,1  | 5                           | 2,5÷4                          |
| 2 JET 102 T | 500121640 | 3 X 400V ~      | 0,75       | 1      | 2x1,98 | 5                           | 2,5÷4                          |
| 2 JET 112 M | 500121150 | 1 X 230V ~      | 1          | 1,36   | 2x7    | 5,8                         | 3,5÷5                          |
| 2 JET 112 T | 500121650 | 3 X 400V ~      | 1          | 1,36   | 2x2,7  | 5,8                         | 3,5÷5                          |
| 2 JET 132 M | 500121160 | 1 X 230V ~      | 1          | 1,36   | 2x7    | 4,6                         | 2,5÷4                          |
| 2 JET 132 T | 500121660 | 3 X 400V ~      | 1          | 1,36   | 2x2,7  | 4,6                         | 2,5÷4                          |
| 2 JET 151 M | 500121060 | 1 X 230V ~      | 1,1        | 1,5    | 2x7,2  | 6,1                         | 3,3÷5                          |
| 2 JET 151 T | 500121560 | 3 X 400V ~      | 1,1        | 1,5    | 2x3    | 6                           | 3,3÷5                          |
| 2 JET 251 M | 500121100 | 1 X 230V ~      | 1,85       | 2,5    | 2x10   | 6,4                         | 3,3÷5                          |
| 2 JET 251 T | 500121600 | 3 X 400V ~      | 1,85       | 2,5    | 2x4    | 6                           | 3,3÷5                          |

The set is supplied assembled, tested, in a strong carton on a wooden pallet complete with instruction leaflet and wiring diagram.  
Available on request the 3x230 V version.



## DIMENSIONS AND WEIGHTS



| MODEL       | A   | B   | C   | D   | E   | H   | H1  | H2  | Ø MANIFOLD |          | WEIGHT<br>Kg |
|-------------|-----|-----|-----|-----|-----|-----|-----|-----|------------|----------|--------------|
|             |     |     |     |     |     |     |     |     | SUCTION    | DELIVERY |              |
| 2 JET 102 M | 715 | 540 | 500 | 575 | 385 | 830 | 398 | 194 | 2"         | 1 1/2"   | 71           |
| 2 JET 112 M | 715 | 540 | 500 | 575 | 385 | 830 | 398 | 194 | 2"         | 1 1/2"   | 74           |
| 2 JET 132 M | 715 | 540 | 500 | 575 | 385 | 830 | 398 | 194 | 2"         | 1 1/2"   | 77           |
| 2 JET 151 M | 715 | 540 | 500 | 565 | 385 | 830 | 398 | 194 | 2"         | 1 1/2"   | 101          |
| 2 JET 251 M | 715 | 540 | 500 | 575 | 385 | 830 | 398 | 194 | 2"         | 1 1/2"   | 75           |
| 2 JET 102 T | 715 | 540 | 500 | 575 | 385 | 830 | 398 | 194 | 2"         | 1 1/2"   | 75           |
| 2 JET 112 T | 715 | 540 | 500 | 575 | 385 | 830 | 398 | 194 | 2"         | 1 1/2"   | 78           |
| 2 JET 132 T | 715 | 540 | 500 | 575 | 385 | 830 | 398 | 194 | 2"         | 1 1/2"   | 81           |
| 2 JET 151 T | 960 | 540 | 500 | 565 | 535 | 850 | 458 | 184 | 2"         | 1 1/2"   | 105          |
| 2 JET 251 T | 960 | 540 | 500 | 565 | 535 | 850 | 458 | 184 | 2"         | 1 1/2"   | 108          |

**motralec**

4 rue Lavoisier . ZA Lavoisier . 95223 HERBLAY CEDEX

Tel. : 01.39.97.65.10 / Fax. : 01.39.97.68.48

Demande de prix / e-mail : [service-commercial@motralec.com](mailto:service-commercial@motralec.com)

[www.motralec.com](http://www.motralec.com)