



ProCam Sanitary Diaphragm Metering Pumps

Options

- Metering pumps with PTFE double diaphragm (FDA approved) and diaphragm monitoring device by pressure gauge or pressure switch
- Front cover, valves and connections in material SS316 L with surface roughness Ra 0,4 up to Ra 0,8
- Double diaphragm and gaskets made of PTFE (FDA approved)
- Clamp-connections 1/2" and 1"

- Capacity for each pumphead: 0,5 - 500 l/h
- Max. operating pressure: up to 20 bar

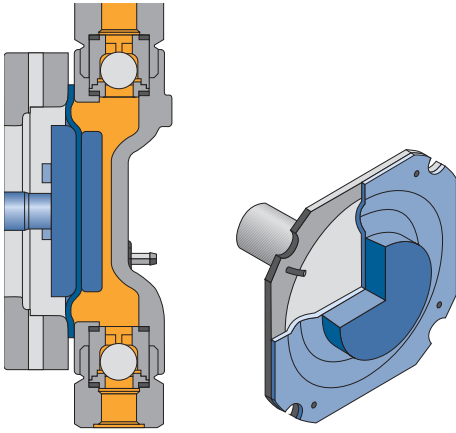


motralec

4 rue Lavoisier . ZA Lavoisier . 95223 HERBLAY CEDEX
Tel. : 01.39.97.65.10 / Fax. : 01.39.97.68.48
Demande de prix / e-mail : service-commercial@motralec.com
www.motralec.com

SPX®

Applications



Hygienic design of diaphragm pumphead with PTFE double diaphragm (FDA).

- Suitable for CIP (Cleaning-in-Place) up to 150°
- Suitable for SIP (Sterilizing-in-Place) by saturated steam at 121°C
- Particularily suitable for hygienic applications in the pharmaceutical industry and biotechnology, in cosmetic industries and personal care as well as for food and beverages



Electro-polished pumphead and connections with surface roughness Ra 0.4 for easy cleaning



Optimized ball valve with surface roughness Ra 0.4

Flow rate

Type	max. flow rate* (l/h)				max. pressure * bar	connections
	50 stroke frequency 1/min	72	100	144		
DS 15	5	7,5	10	15	20	1/2" Clamp
DS 50	17,5	25	35	50	10	1/2" Clamp
DS 100	35	50	70	100	4	1/2" Clamp
DS 200	70	100	140	200	12	1/2" Clamp
DS 500	175	250	350	500	5	1" Clamp

* In the case of multiple pumps with 4-6 pumpheads the max. pressure is 50% of the value given in the table.

n