



ITT

Bulletin B-710A

Bell & Gossett Lineshaft and Submersible Turbine Pumps



motralec

4 rue Lavoisier . ZA Lavoisier . 95223 HERBLAY CEDEX
Tel. : 01.39.97.65.10 / Fax. : 01.39.97.68.48
Demande de prix / e-mail : service-commercial@motralec.com

www.motralec.com

www.bellgossett.com

Engineered for life



TURBINE PUMP PRODUCTION



You not only get the latest in pump design and technology from Bell & Gossett, you get more than 100 years of pump manufacturing know-how that includes most of the major innovations in pump engineering and materials. All our products reflect the engineering design advances for top efficiency and head generation.

Our engineers are specialists, using computer assisted design and extensive test and research facilities. They develop the specifications that guide our in-house pattern shop technicians in the development of precision turbine pattern equipment. The result is consistent casting accuracy, close tolerances and the quality needed to maintain water passage shape and pump efficiencies.



Bell & Gossett further controls the quality of its products in its own foundries. Here the molding, core work and Vitra-Glass enameling are closely supervised for tight quality standards.



Our modern manufacturing facilities assure dimensionally consistent, high quality, fully machined parts, produced on a volume basis to bring down costs. Every impeller is precision balanced on a micro processor balance analyzer. Bell & Gossett is one of the largest manufacturers in the turbine industry.



From design to pattern shop to foundry to manufacturing to warehousing — Bell & Gossett is a completely integrated producer. Our network of turbine warehouses brings pumps and same day service to you. We offer full service on new units. Rebowling, rebuilding and repair on turbine pumps and submersible and centrifugal pumps.

We are committed to service. We offer ready availability of complete pumps, repair parts and service. We are continually improving and expanding our turbine products warehouse network with locations in key areas.

LINESHAFT

Water Lubrication

1 Adjusting Nut

Permits exact impeller adjustment for maximum performance.

2 Discharge Head

Heavy-duty head provides maximum accessibility to service packing box assembly. Two piece head shaft is standard.

3 Prelube Connection

4 Column Adapter

Accepts threaded or flanged column.

5 Adjusting Nipple

Threads directly into column adapter. Headshaft stickup set exactly by threading head on column as required.

6 Discharge Bowl Bearing

Bronze.

7 Discharge Bowl

Close grained cast iron.

8 Pump Shaft

Oversized high strength polished stainless steel.

9 Intermediate Bowls

Close grained cast iron. Waterways glass lined for maximum efficiency.

10 Impellers

Silicon bronze, designed for maximum efficiency. Precision balanced for smooth operation.

11 Intermediate Bowl Bearings

Bronze or rubber for long pump life under any well conditions.

12 Lock Collets

Steel construction secures impeller to pump shaft.

13 Sand Collar

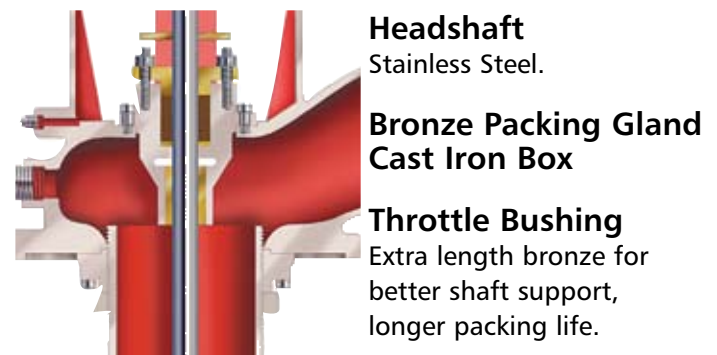
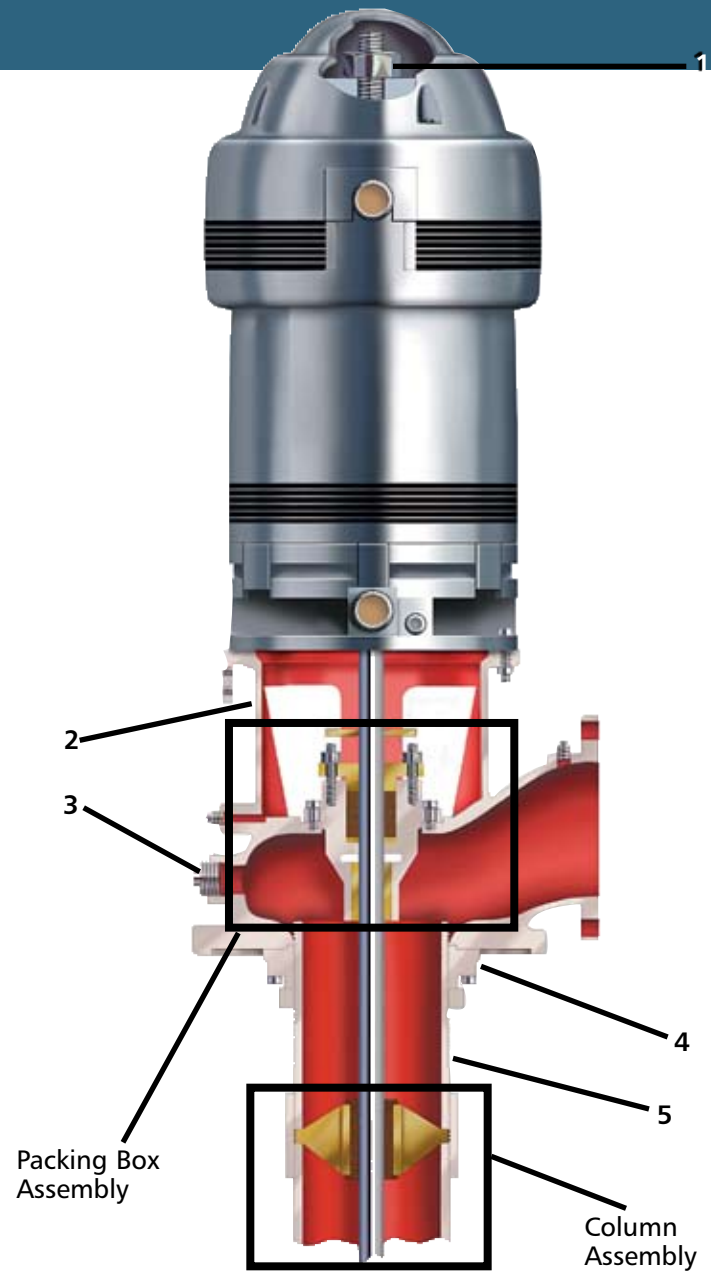
Accurately located at suction bowl bearing to eliminate possible sand buildup.

14 Suction Bowl Bearing

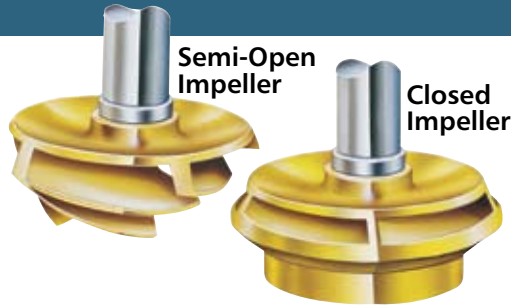
Bronze. Grease packed for long trouble-free life.

15 Tail Pipe or Strainer — Optional

Optional tail pipe cut to desired length for best suction conditions. Strainer provides protection from large solids.



Impellers



Optional Long Lateral
Long lateral adjustment on some models for maximum setting capabilities.



Glass Lined Bowls
Heavy-duty Class 30 cast iron intermediate bowls with standard feature of vitra-glass lined waterways for maximum efficiency and wear protection.



Column Assembly
Lineshaft
High strength steel with chrome spots. Ground and polished for exact bearing fit. Available in carbon steel or stainless steel.

Bearing Retainer
Bronze.

Lineshaft Bearings
Fluted rubber, designed to flush sand and grit rapidly.

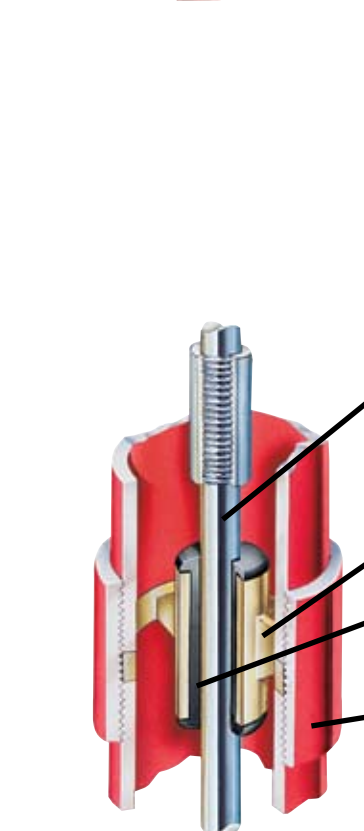
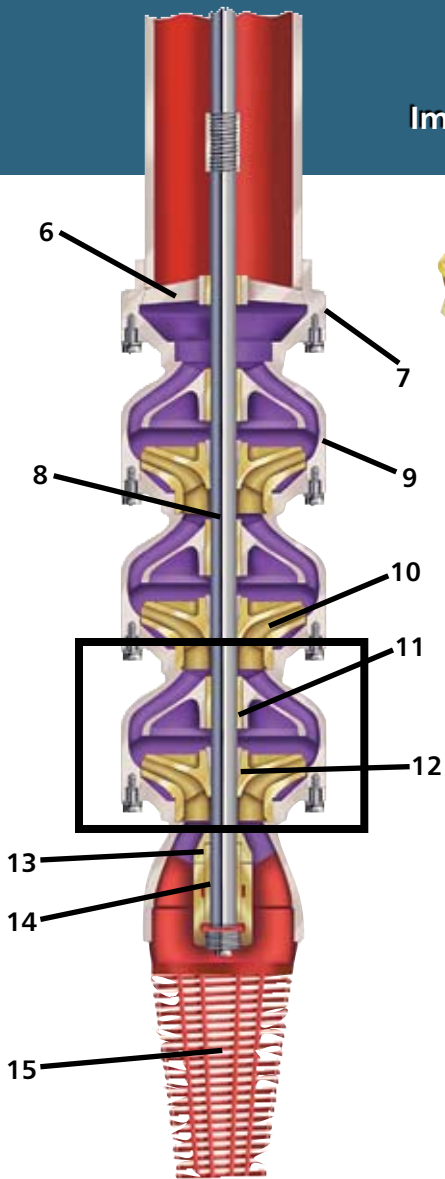
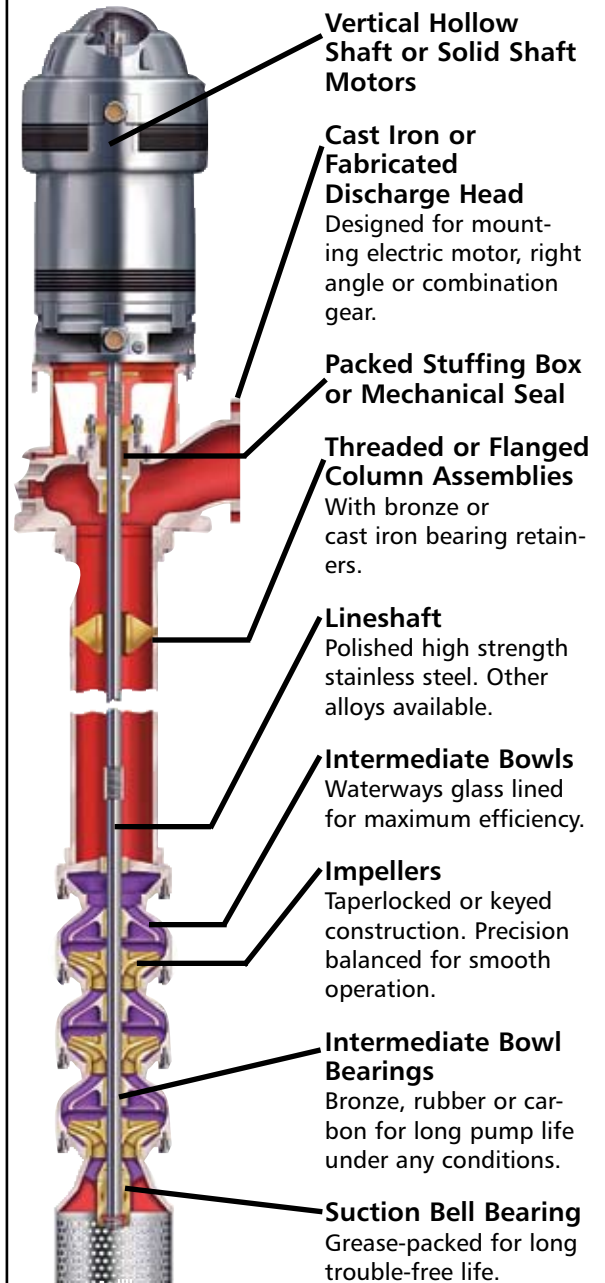
Column Pipe and Couplings
Parallel thread, accurately machined for easy installation, accurate alignment.

LINESHAFT SHORT SET TURBINE

- Capacities to 9000 GPM (2043 m³/h)
- Heads to 1400 feet (427 m)

Design Flexibility

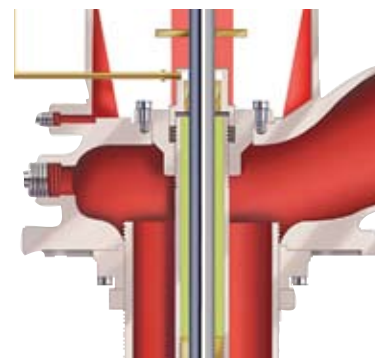
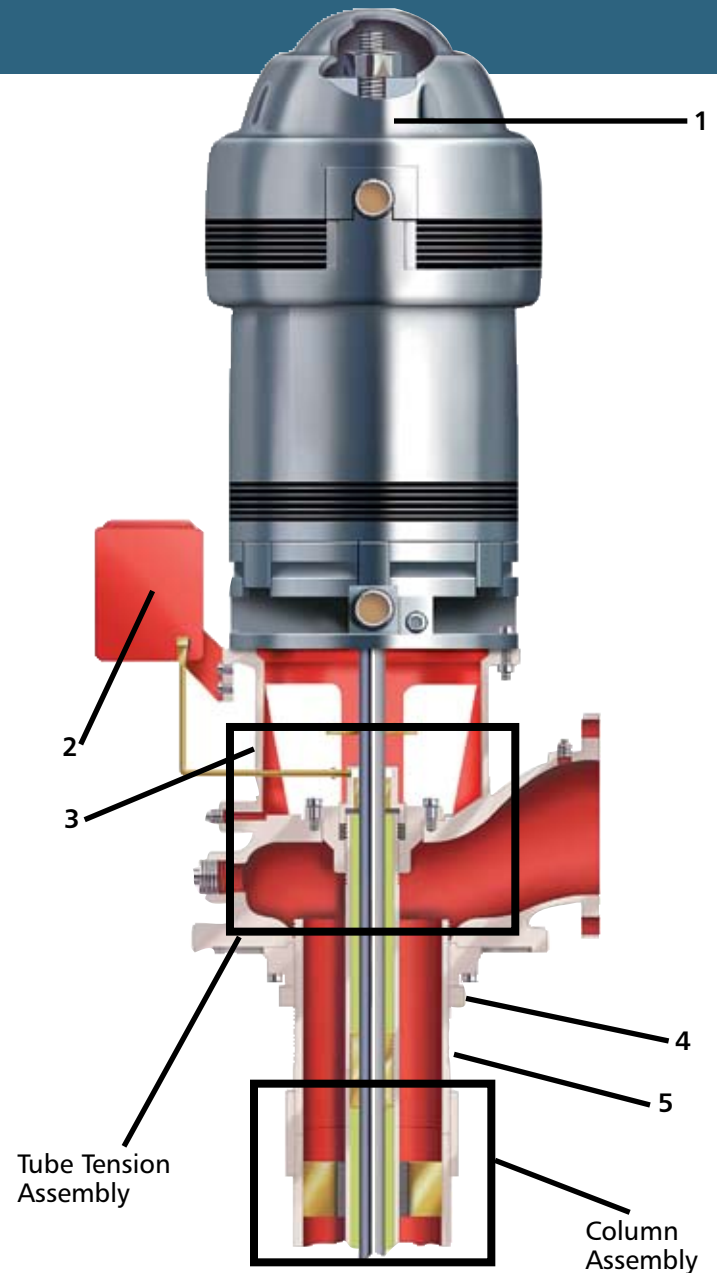
Bell & Gossett offers a wide variety of design options to suit most any short set turbine applications.



LINESHAFT

Oil Lubrication

- 1 Adjusting Nut**
Permits exact impeller adjustment for maximum performance.
- 2 Large Capacity Manual or Solenoid Oiler**
Assures constant oil supply.
- 3 Discharge Head**
Heavy-duty head provides maximum accessibility to service tube tension assembly. Two piece headshaft is standard.
- 4 Lock Ring**
Positively locks adjusting nipple to discharge head.
- 5 Adjusting Nipple**
Threads directly into column adapter. Headshaft stickup set exactly by threading head on column as required.
- 6 Tube Adapter Bushing**
Bronze.
- 7 Double Bowl Seal — Optional**
Provides positive sealing of developed head.
- 8 Pump Shaft**
Oversized high strength polished stainless steel.
- 9 Discharge Bowl**
Close grained cast iron. Relief ports insure positive bearing lubrication.
- 10 Discharge Bowl Bearing**
Bronze. Close tolerance fit for minimum leakage.
- 11 Impellers**
Silicon bronze. Designed for maximum efficiency. Precision balanced for smooth operation.
- 12 Intermediate Bowls**
Close grained cast iron. Waterways glass lined for maximum efficiency.
- 13 Intermediate Bowl Bearings**
Bronze or rubber for long pump life under any well conditions.
- 14 Lock Collets**
Steel construction secures impeller to pump shaft.
- 15 Sand Collar**
Accurately located at suction bowl bearing to eliminate possible sand buildup.
- 16 Suction Bowl Bearing**
Bronze. Grease packed for long trouble-free life.
- 17 Tail Pipe or Strainer — Optional**
Tail pipe cut to desired length for best suction conditions. Strainer provides protection from large solids.

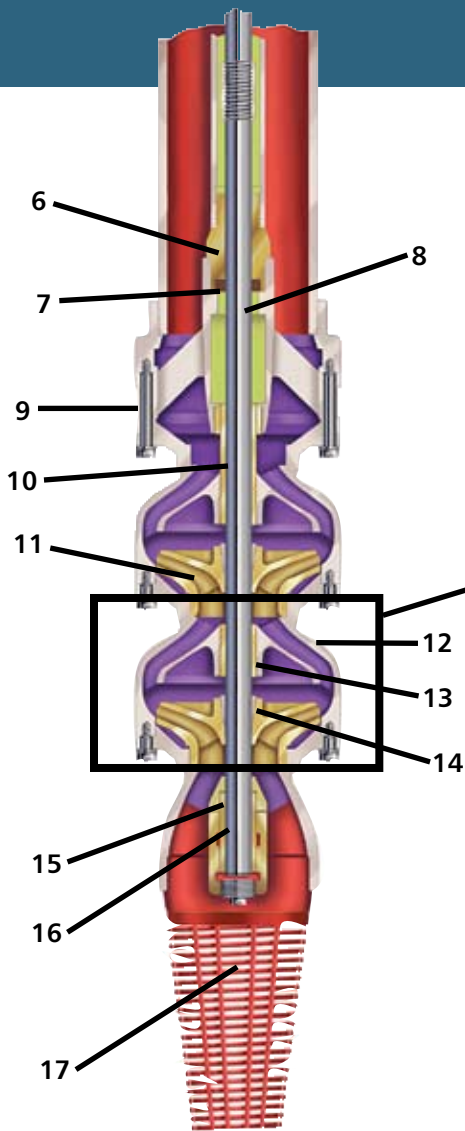


Headshaft
Steel.

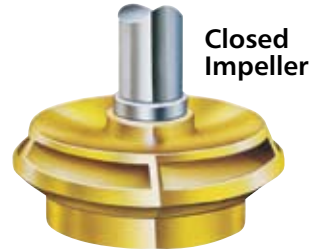
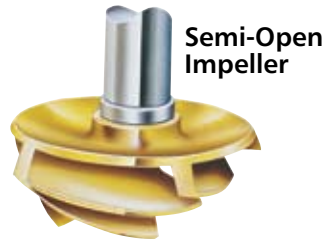
Tube Tension Nut
Heavy-duty cast iron.

Tension Nut Bushing
Bronze construction. Spiral groove insures positive lubrication to lineshaft bearings.

Heavy-Duty Tension Plate
For positive alignment of lineshaft bearings.



Impellers



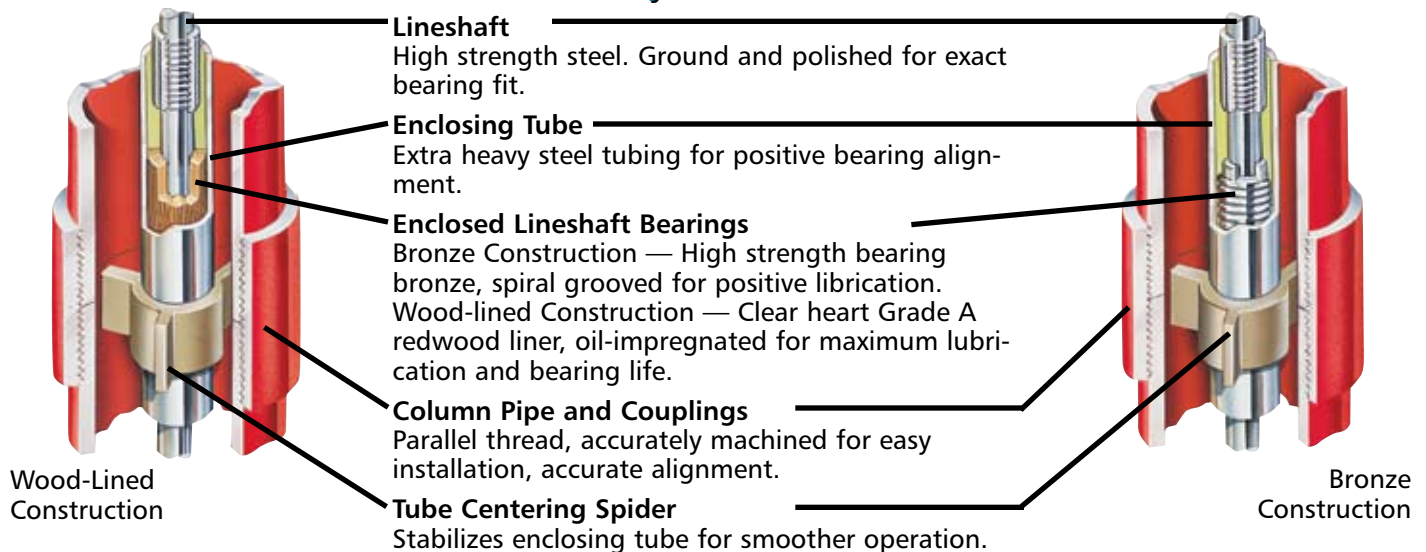
Glass Lined Bowls
Heavy-duty Class 30 cast iron intermediate bowls with standard feature of lined waterways for maximum efficiency and wear protection.

Optional Long Lateral

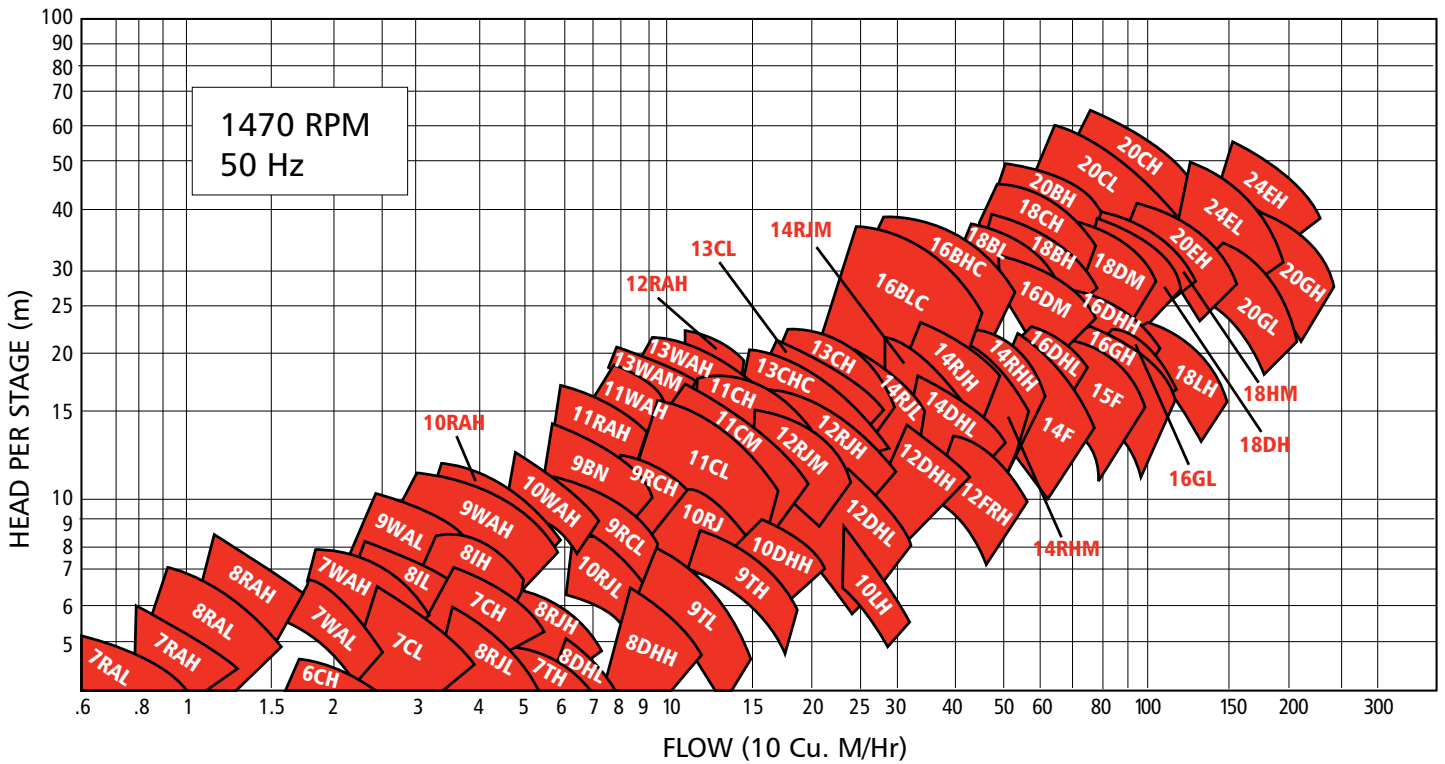
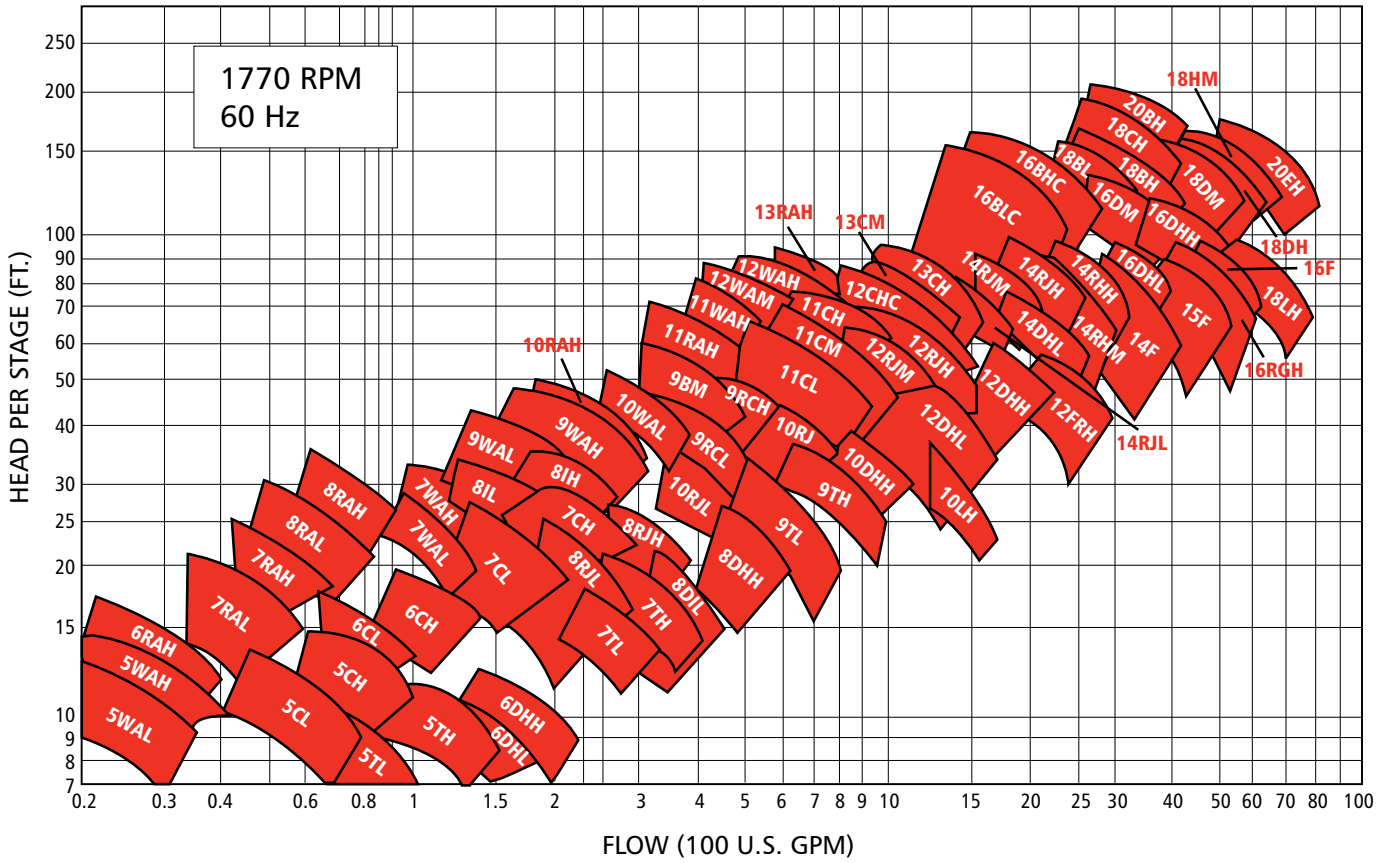
Long lateral adjustment for maximum setting capabilities. Available in some sizes.



Column Assembly



LINESHAFT





Type "F"
Head

Type "U"
Discharge Located
Underground



Type "T"
Suction Inlet Located
in the Head

Type "L"
(Can) Suction Inlet
Located in the Can



SUBMERSIBLE

Applications

Bell & Gossett combines the hydraulic engineering of turbine pumps matched to the hi-tech design of electric submersible motors.

Features

1 Discharge Pipe

Properly sized for optimum water velocities to insure peak hydraulic performance.

2 Discharge Bowl

Several discharge sizes available for NPT or flanged pipe.

3 Discharge Bearing

Extra long top protected bronze bearing insures positive shaft alignment and stabilization for extended life.

4 Intermediate Bowl

Close grained Class 30 cast iron. Water passage glassed for maximum efficiency and abrasion resistance.

5 Impellers

Designed for maximum efficiency with wide range hydraulic coverage. Precision balanced for smooth operation.

6 Upthrust Collar

Designed for extra margin of safety against possible momentary upthrust occurring at startup.

7 Intermediate Bowl Bearings

Reliable long life bronze or rubber bearing.

8 Lock Collets

Accurately machined to insure positive locking of impeller to pump shaft.

9 Pump Shaft

100,000 PSI high tensile stainless steel provides strength and excellent corrosion resistance. Ground and polished for smooth bearing surface.

10 Suction Inlet

Contoured for smooth flow entrance. Protected by an oversized stainless steel strainer to prevent entrance of damaging solids.

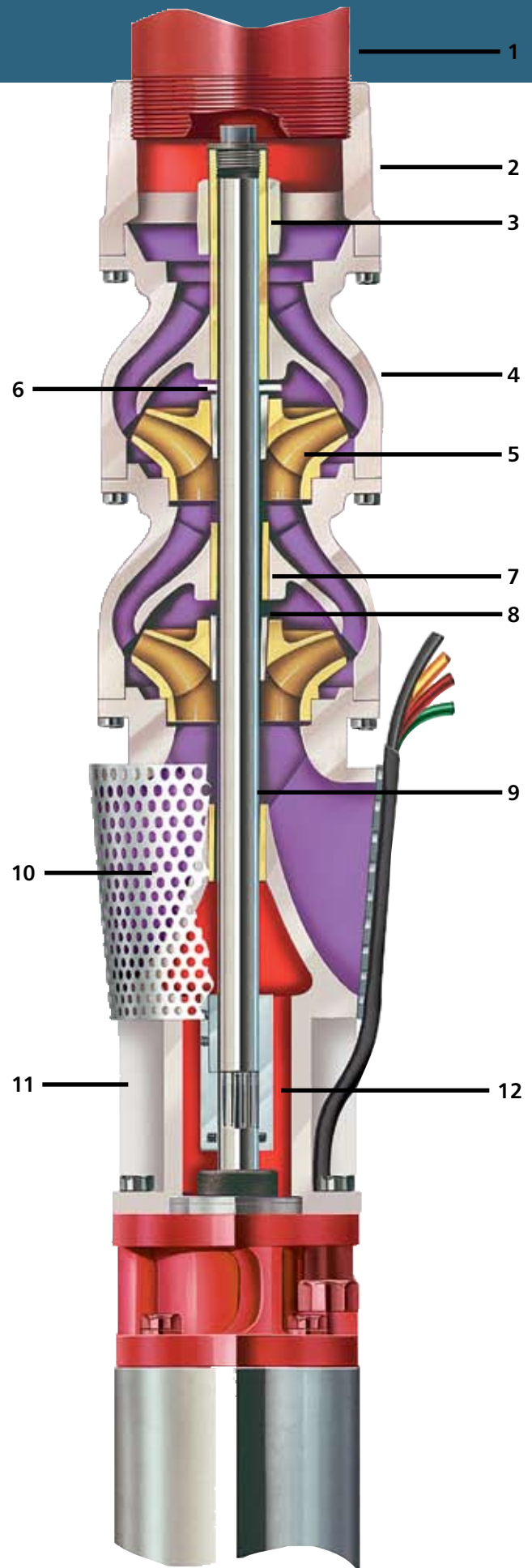
11 Suction Adapter

Ductile iron provides for increased strength and positive motor alignment. Open area permits easy access to pump/motor coupling.

12 Pump/Motor Coupling

Large stainless steel coupling accurately machined for perfect alignment, balance and power transmission.

Submersible pumps and motors provide an extensive list of options versus other deep well pumping equipment systems. Advanced engineering designs and experience now assure units for long term pumping service. Water well applications provide the perfect opportunity to evaluate features and benefits of submersible equipment.

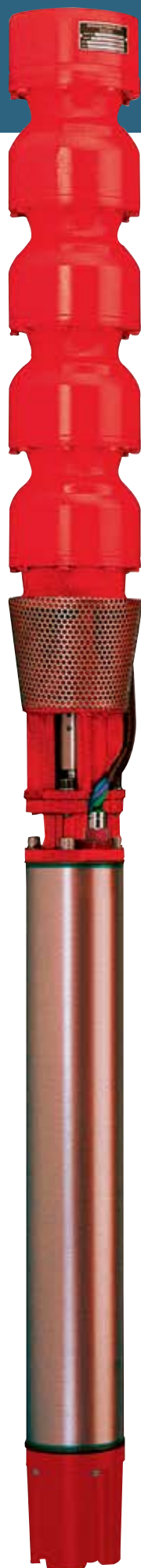


Hermetically Sealed Type

A Hermetically Sealed Type motor utilizes windings of standard construction and insulation thickness. The windings are encased and Hermetically Sealed within the external shell casing on the outside and an internal tube or liner inside the bore. The Hermetically Sealed enclosure eliminates the possibility of water leakage into the winding the liquid medium circulates between the rotor and stator liner providing lubrication and cooling to the bearings.

Wet Winding Type

A Wet Winding Type motor is one in which the motor windings are in direct contact with a liquid medium. The medium is clean, clear water. A pressure balancing system prevents exchange of the motor liquid medium and well water due to thermal expansion and contraction when the motor is operating. The liquid medium fills the inside of the motor and surrounds both the stator windings and the rotor. A completely water proof insulation is used on the magnet wire used for the stator windings. The liquid medium inside the motor air gap and coils acts as a heat transfer device by circulating through the windings and transferring heat to the external casing. Dissipation of this heat occurs as the well water flows at a required velocity over the external case. As is the case in all submersible type motors, the internal liquid medium is also used for bearing lubrication.



Submersible Options

Bell & Gossett can provide several options in pump and motor combinations to meet the exacting conditions of your applications:

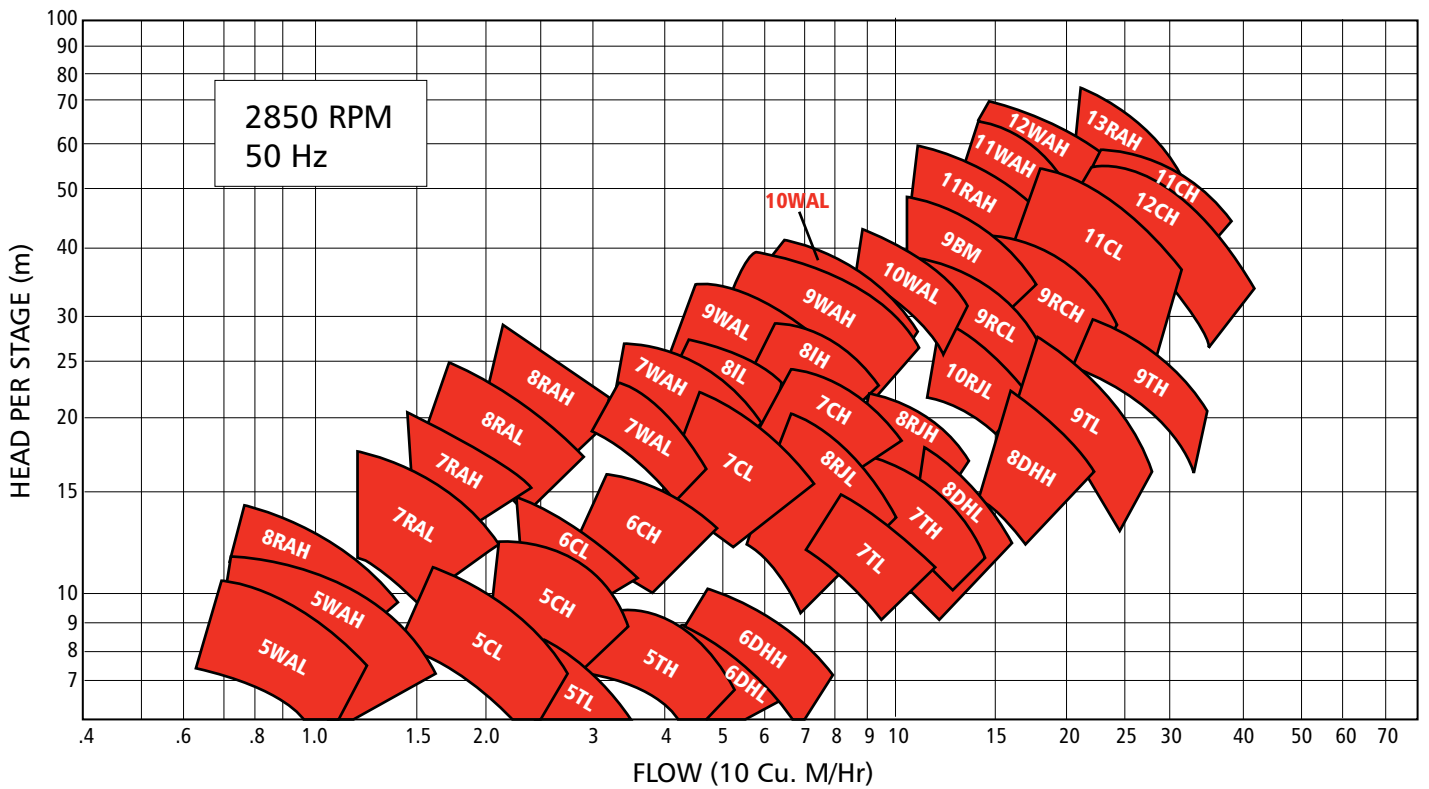
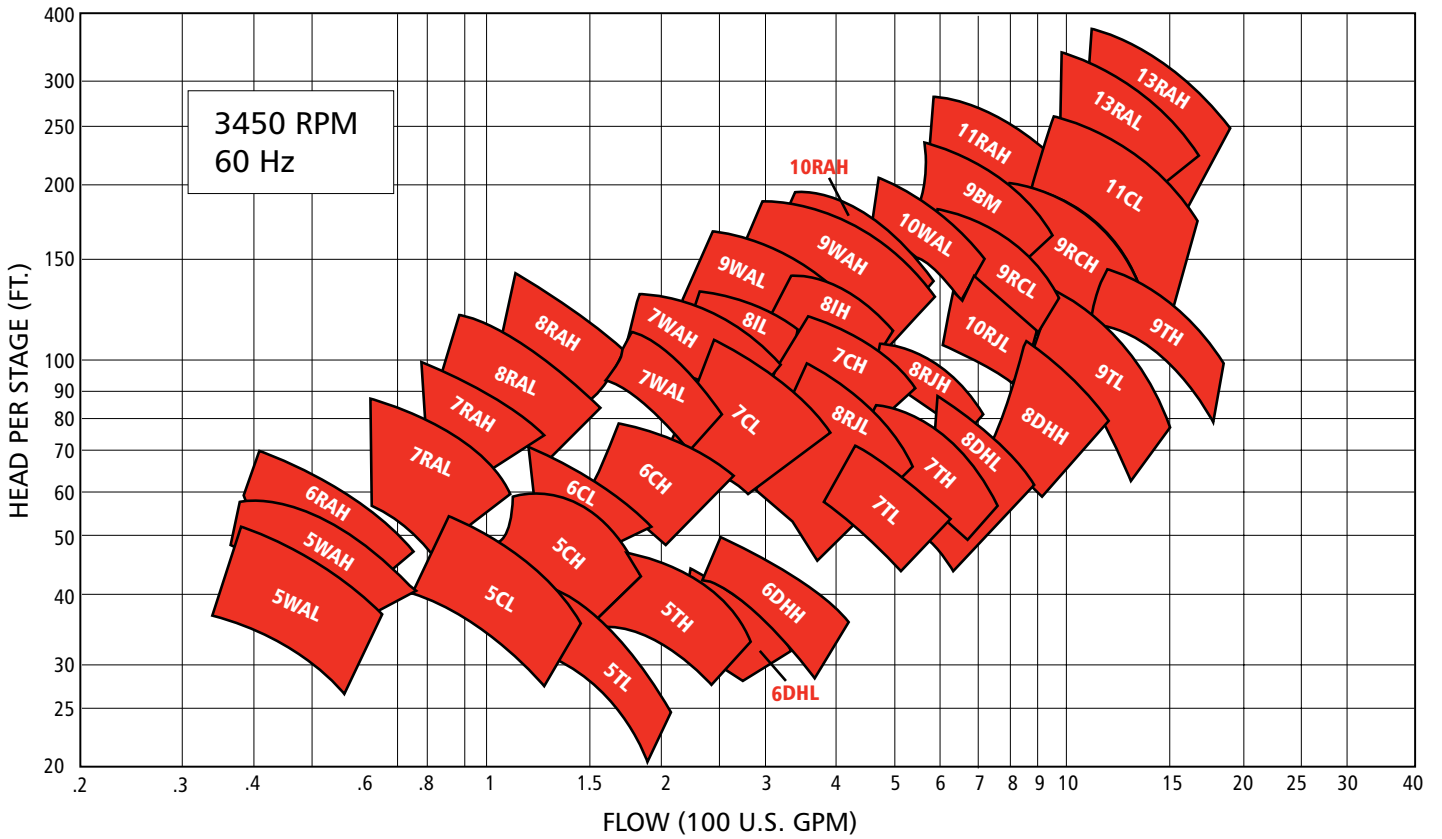
- High temperature wells
- High horsepower, limited well diameters
- Motor sensing devices
- Water level indicators
- Special materials
- Special voltage motors

Consult Bell & Gossett Turbine Customer Service Dept. for details.

Submersible Accessories:

- Valves
 - Check Valves
 - Flow Control
 - Gate Valves
 - Ball Valves
- Electrical Panels
 - Furnas Panels
 - V.F.D. Drivers
- Pitless Adapters
- Wire
 - 12 to 0000
- Heat Shrinks
- Splice Kits
- Tanks
- Well Heads
 - Submersible Discharge Head
- Torque Arrestors
- Gauges
- Motor Shrouds

SUBMERSIBLE

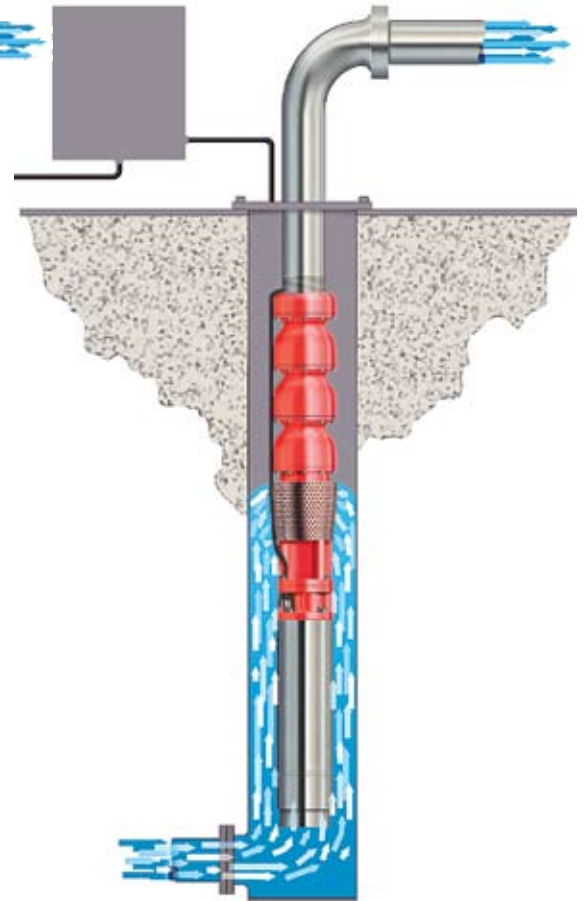
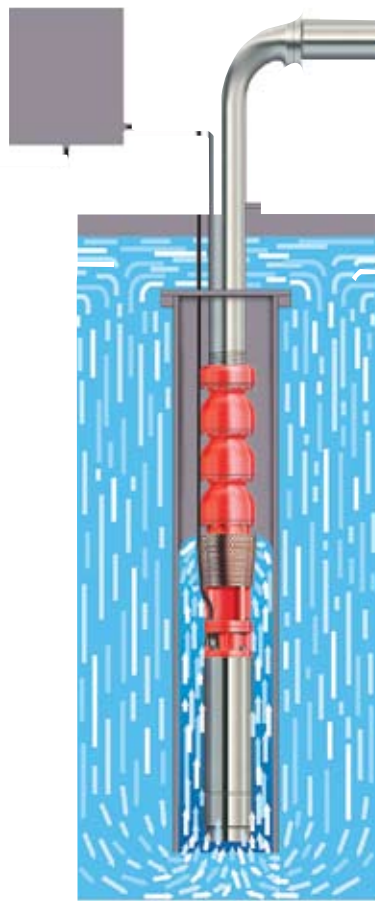
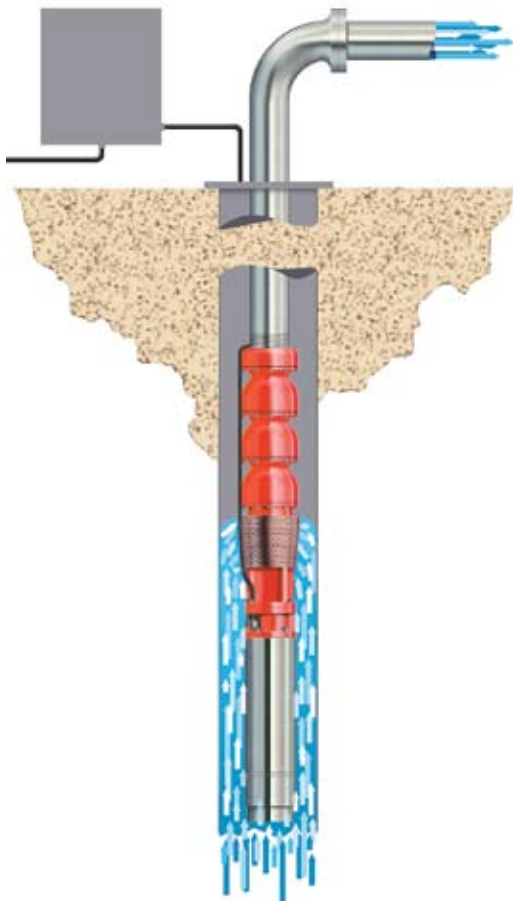
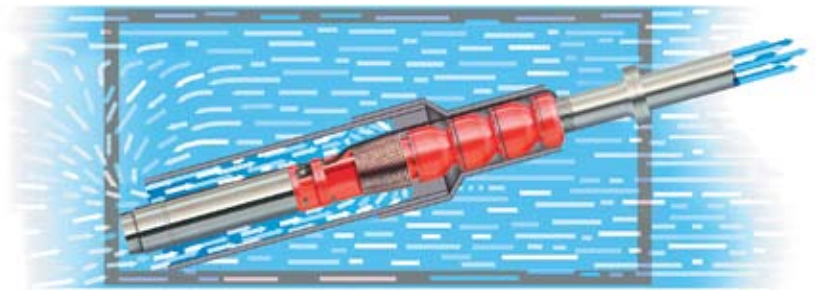
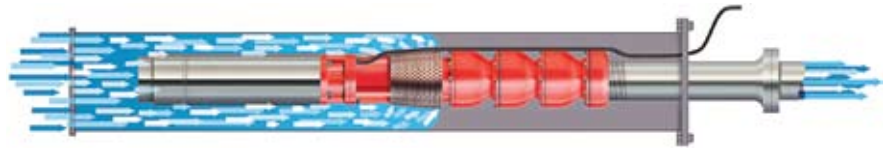


Hydraulic Performance

The system requirements can be met with a choice of pump sizes and selections for the best hydraulic performance. The choice of pump and motor diameters, voltage and specs for varying well conditions provides additional opportunity to match the unit to all the requirements of the system.

The availability of accessory items, cable and controls enables you to rely on Bell & Gossett for units that provide top service.

Submersibles for 1800 RPM through 20" are also available.

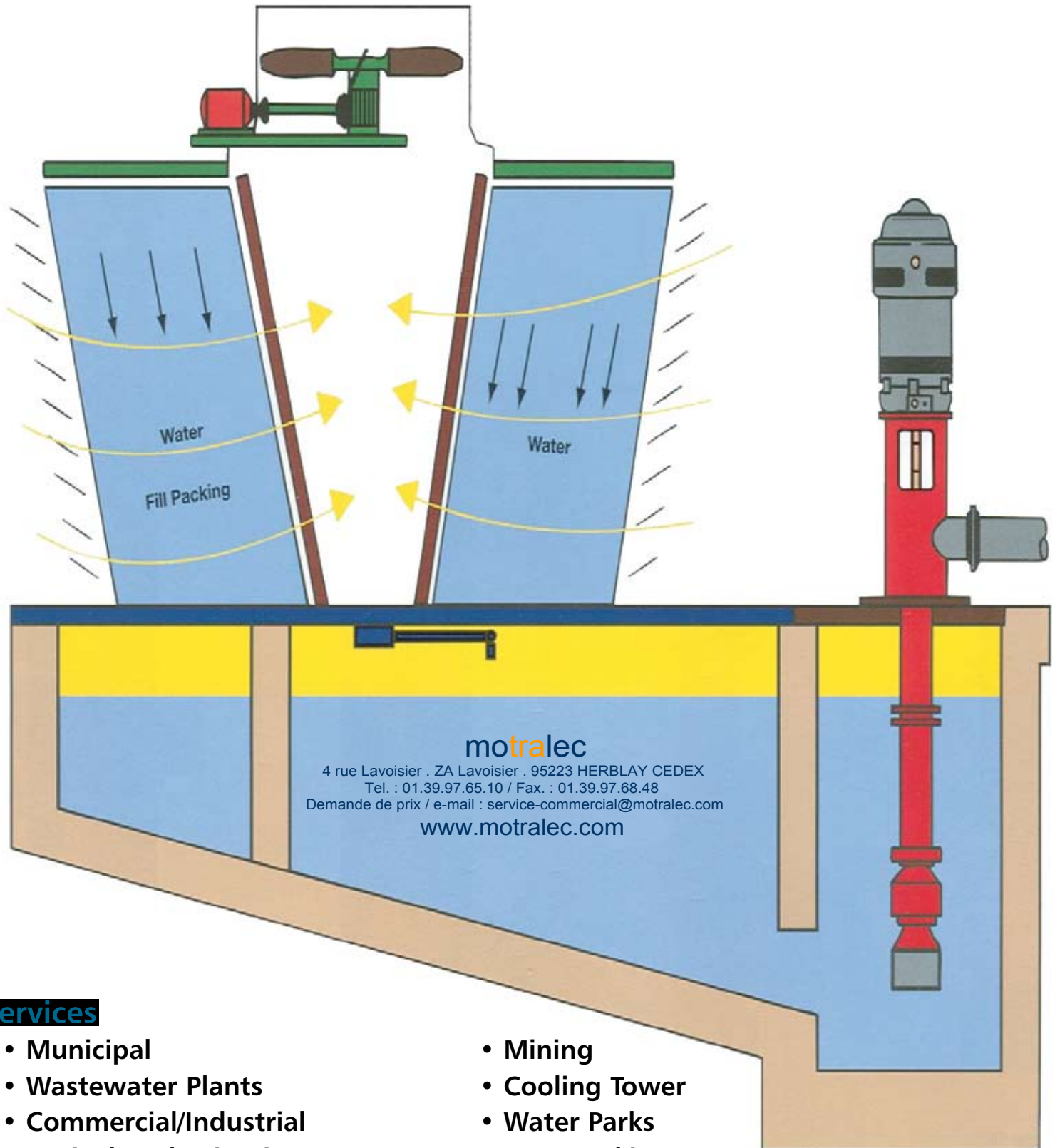


LINESHAFT/SUBMERSIBLES

Parts List Standard Materials of Construction

No.	Description	Material		
		Goulds No.	Description	
1	Discharge Head	1003	C.I. ASTM A48, CL 30B	
2	Head Shaft	Water Lube	2227	Stainless — ASTM A582, Type 416
		Oil Lube	2205	Steel — AISI C1045
3	Adjusting Nut	2130	Brass ASTM B16M C360	
4	Gib Key	2242	Mild Steel — ASTM A108, Gr. 1018	
5	Tension Nut	Oil Lube Only	1187	Brass ASTM B584 C844
6	Tension Plate	Oil Lube Only	1003	Cast Iron — ASTM A48, CL 30B
7	Oiler Body	Oil Lube Only	1425	Aluminum — SAE 329 or Steel
8	Stuffing Box	Water Lube	1003	Cast Iron — ASTM A48, CL 30B
9	Stuffing Box Busing	Water Lube	1109	Bronze — ASTM B584 C89835 Federalloy III
10	Stuffing Box Stud	Water Lube	2229	Stainless — ASTM A276 Type 316
11	Stuffing Box Stud Nut	Water Lube	2229	Stainless — ASTM A276 Type 316
12	Stuffing Box Gasket	Water Lube	5136	Garlock Brand Blue Guard
13	Stuffing Box Split Gland	Water Lube	1193	Aluminum Bronze — ASTM B148HT
14	Stuffing Box Slinger	Water Lube	5121	Rubber
15	Packing		5026	Graphited Acrylic Yarn
16	Column Nipple		6501	Pipe — ASTM A53
17	Lock Ring		1018	Ductile — ASTM A536, Gr. 65-45-12
18	Reducer-Bushing		1003	Cast Iron — ASTM A48, CL 30B
19	Companion Flange		1003	Cast Iron — ASTM A48, CL 30B
20	Companion Flange Gasket		5136	Garlock Brand Blue Guard
21	Nameplate		3211	Stainless — ASTM A240, Type 316
22	Sole Plate		3201	Steel Plate — ASTM A36
23	Column Pipe		6501	Pipe — ASTM A53
24	Column Coupling		6501	Pipe — ASTM A53
25	Tube Nipple		6518	Pipe — Steel SCH80 ASTM A120 Gr. B
26	Enclosing Tube	Bronze Construction	6518	Steel — SCH80, ASTM A120, Gr. B
		Wood-Lined Construction	6518	Steel — SCH80, ASTM A120, Gr. B
27	Oil Tube Coupling	Wood-Lined Only	6518	Steel — SCH80, ASTM A120, Gr. B
28	Lineshaft Bearing	Bronze Construction	1109	Bronze — ASTM B584 C903
		Wood-Lined Construction		Clear Heart Redwood — Grade A
29	Lineshaft	W/L — Sleeved	2205	Steel — AISI C1045 with Type 304SS Sleeve
		W/L — Stainless	2227	Stainless — ASTM A582, Type 416
		Oil Lube	2205	Steel — AISI C1045
30	Lineshaft Coupling	Water Lube	2242	Mild Steel — ASTM A108, Gr. 1018
		Stainless	2218	Stainless — ASTM A582, Type 416
31	Water Lube Retainer	Retainer	1102	Silicon Bronze — ASTM B584 C876
		Insert	5121	Rubber
32	Tube Centering Spider		5121	Rubber
33	Discharge Bowl		1003	Cast Iron — ASTM A48, CL 30B
34	Discharge Bushing	Water Lube	1109	Bronze — ASTM B584 C89835 Federalloy III
35	Throttle Bushing	Oil Lube	1109	Bronze — ASTM B584 C89835 Federalloy III
36	Intermediate Bowl		6911	Cast Iron — ASTM A48, CL 30B, Enameled
37	Top Inter Bowl		6911	Cast Iron — ASTM A48, CL 30B, Enameled
38	Inter Bowl Bushing	Bronze	1109	Bronze — ASTM B584 C89835 Federalloy III
		Rubber	5121	Rubber
39	Wear Rings — Optional	Inter Bowl	1117	AL Bronze ASTM B148 C954
		Impeller	1117	AL Bronze ASTM B148 C954
40	Impeller		1102	Silicon Bronze — ASTM B584 C876
41	Taper Lock		2242	Mild Steel — ASTM A108, Gr. 1018
42	Suction Bowl		1003	Cast Iron — ASTM A48, CL 30B
43	Suction Bushing		1109	Bronze — ASTM B584 C89835 Federalloy III
44	Sand Collar		1109	Bronze — ASTM B584 C89835 Federalloy III
45	Suction Strainer		6952	Galvanized — ASTM A123
46	Plug		1046	Steel — ASTM A197 Mall. Iron
47	Screw Bearing	Bronze Construction	1109	Bronze — ASTM B584 C89835 Federalloy III
		Wood-Lined Construction	2242	Mild Steel — ASTM A108, Gr. 1018
48	Bowl Shaft		2227	Stainless — ASTM A582, Type 416
49	Hex Bolt		2298	Steel — SAEJ 429, Gr. 8
50	Lock Washer		2242	Steel — ASTM A108, Gr. 10180
51	Suction Adapter	Submersible Only	1018	Ductile Iron — Astm A536, Gr. 65-45-12
52	Adapter Plate	Submersible Only (Optional)	1018	Ductile Iron — ASTM A536, Gr. 65-45-12
53	Motor Coupling	Submersible Only	2218	Stainless Steel — ASTM A582, Type 416
54	Motor Mounting Bolts	Submersible Only	2229/2228	Stainless — ASTM A276, Type 316/304SS
55	Suction Screen	Submersible Only	3215	AISI 304 Stainless
56	Cable Guard	Submersible Only	3215/6266	AISI 304 Stainless or Polyethylene (UHMW)
57	Discharge Bearing	Submersible Only	1109	Bronze — ASTM B584 C89835 Federalloy III
58	Discharge Bearing Plug	Submersible Only	1046	Steel — ASTM A197 Mall. Iron
59	Upthrust Washer	Submersible Only	6266	Polyethylene (UHMW)

TYPICAL COOLING TOWER APPLICATION



Services

- Municipal
- Wastewater Plants
- Commercial/Industrial
- Agricultural Irrigation
- Dewatering
- Golf Courses/Turf Irrigation
- Mining
- Cooling Tower
- Water Parks
- Snowmaking
- Flood Control