

ABS LIFTING STATION SYNCONTA 801 TO 902L



Synthetic-prefabricated sump for ABS submersible pumps designed as a single or twin pumping station for the automatic pumping of wastewater and sewage in accordance with DIN/EN 12056 from locations and areas below the backwash level.

Applications

The fully equipped synthetic prefabricated sump SYNCONTA is used where medium quantities of wastewater and sewage must be pumped away quickly and effectively. It is ideal where civil work or erection time must be kept to a minimum. It is a fully functioning wastewater or sewage lifting station fitted with one or two pumps.

The sump is installed outside the building in open ground. A special lid is available which makes it suitable for vehicular traffic. Suitable for installations according to DIN EN 124 Group 1 permissible traffic tonnage 5 kN/m². Maximum permissible outside pressure 0.4 bar.

Max. medium temperature: 40° C for continuous operation, 60° C for intermittent use (max. 5 min).

Construction

The collection sump is made of high quality synthetic material and floating prevention is standard.

SYNCONTA 801: one pump.

Variable depth, 1420mm to 1645mm - stepless adjustment. (1420mm to 2245mm with extension kit).

Three inlet ports DN 150 and one DN 100 with DIN connection system and one DN 70 port for the vent/cable duct with plug/cable inlet. Fitted with pedestal, installation kit and non-return valve as standard. The automatic level control system is supplied as an accessory.

SYNCONTA 901: one pump, **902:** two pumps.

Standard depth sump, 1690mm.

SYNCONTA 901L: one pump, **902L:** two pumps.

Maximum depth sump, 2190mm.

Four inlet ports DN 150 are supplied for the connection of sewer collection lines with DIN-push-on connectors. There are four connections DN 100 for the vent/cable duct with plug/cable inlet. Fitted with high level coupling and bracket for ABS submersible pumps, ball-type non-return valve, shut-off valve and pneumatic level control as standard.

The SYNCONTA can be fitted with the following pumps:

ABS PIRANHA submersible grinder pump (DN 32)

For the pumping of sewage and effluent containing faecal matter, including applications where long distances and high heads are required. Shredding system consisting of spiral bottom plate with stationary cutter ring with cutting edges and a shredding rotor located before the impeller for optimum blockage-free running.

ABS submersible wastewater pump AS (DN 50)

ABS submersible pumps of the AS series have been designed for the economical and reliable pumping of sewage and wastewater in private, commercial and municipal applications. The AS pumps are available with Vortex hydraulics or with CONTRABLOCK-system. The pipework set in the SYNCONTA for AS pumps contains an adapter DN 80/DN 65 to G 2" male threaded as standard. In case of installation of AS 0530 a G 2" threaded adapter must be supplied by customer.



- Easily transportable, corrosion resistant synthetic collection tank. Simple, economical installation.
- Avoids major earth removal work.
- Simple pump installation and maintenance, it is not necessary to enter the sump.
- Simple pipe connection by means of DIN push-on connection system. Four inflow ports.
- Standard ABS submersible pumps of the series AS and PIRANHA can be installed.
- With self-sealing coupling system. Pump seals itself automatically when powered into position.
- Pump controls by automatic level control system.
- Discharge line of stainless steel.

Weight*	DN 32	DN 50
SYNCONTA 801 _____	65 kg,	72 kg
SYNCONTA 901 _____	86 kg,	111 kg
SYNCONTA 901L _____	99 kg,	124 kg

*Weights include installation pipework and do not include weight of pump

ABS LIFTING STATION SYNCONTA 801 to 902L

Technical Data

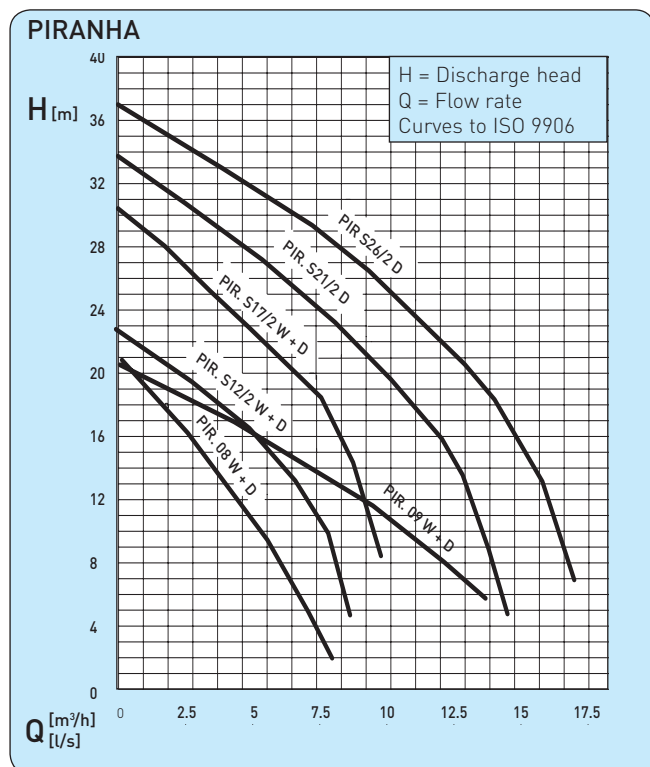
Type	Motor Standard Ex	Dis-charge	Hydraulics	Motor power*		Speed at 50 Hz min ⁻¹	Rated voltage V	Rated current A	Cable type**		Weight*** kg
				P ₁ kW	P ₂ kW				Stand	Ex	
PIRANHA 08 W (no Ex)		G 1¼"		1.4	1.0	2900	Single phase 220-240 ~	6.4	(4)	n.a.	18
PIRANHA 08 D (no Ex)		G 1¼"		1.34	1.0	2900	Three phase 400 ~	2.7	(5)	n.a.	18
PIRANHA 09 W (no Ex)		G 1¼"		2.6	1.8	2900	Single phase 220-240 ~	11.6	(4)	n.a.	23
PIRANHA 09 D (no Ex)		G 1¼"		2.6	2.0	2900	Three phase 400 ~	4.6	(5)	n.a.	23
PIRANHA S12/2 W (Ex)		G 1¼"		1.8	1.2	2900	Single phase 220-240 ~	8.2	(1)	(2)	32
PIRANHA S12/2 D (Ex)		G 1¼"		1.7	1.2	2900	Three phase 400 ~	3.3	(1)	(2)	32
PIRANHA S17/2 W (Ex)		G 1¼"		2.4	1.7	2900	Single phase 220-240 ~	10.6	(1)	(2)	32
PIRANHA S17/2 D (Ex)		G 1¼"		2.3	1.7	2900	Three phase 400 ~	4.0	(1)	(2)	32
PIRANHA S21/2 D (Ex)		G 1¼"		2.8	2.1	2900	Three phase 400 ~	4.6	(1)	(2)	37
PIRANHA S26/2 D (Ex)		G 1¼"		3.4	2.6	2900	Three phase 400 ~	5.6	(1)	(2)	40
AS 0530 S12/2 W (Ex)		G 2"	Vortex	1.8	1.2	2900	Single phase 220-240 ~	8.2	(1)	(2)	34
AS 0530 S12/2 D (Ex)		G 2"	Vortex	1.7	1.2	2900	Three phase 400 ~	3.3	(1)	(2)	34
AS 0530 S17/2 D (Ex)		G 2"	Vortex	2.3	1.7	2900	Three phase 400 ~	4.0	(1)	(2)	34
AS 0530 S26/2 D (Ex)		G 2"	Vortex	3.4	2.6	2900	Three phase 400 ~	5.6	(1)	(2)	40
AS 0630 S10/4 W (Ex)		DN 65	Vortex	1.7	1.0	1450	Single phase 220-240 ~	7.5	(1)	(2)	37
AS 0630 S13/4 D (Ex)		DN 65	Vortex	1.9	1.3	1450	Three phase 400 ~	3.6	(1)	(2)	37
AS 0630 S22/4 D (Ex)		DN 65	Vortex	2.9	2.2	1450	Three phase 400 ~	5.2	(1)	(2)	42
AS 0631 S12/2 W (Ex)		DN 65	Vortex	1.8	1.2	2900	Single phase 220-240 ~	8.2	(1)	(2)	38
AS 0631 S12/2 D (Ex)		DN 65	Vortex	1.7	1.2	2900	Three phase 400 ~	3.3	(1)	(2)	38
AS 0631 S17/2 W (Ex)		DN 65	Vortex	2.4	1.7	2900	Single phase 220-240 ~	10.6	(1)	(2)	38
AS 0631 S17/2 D (Ex)		DN 65	Vortex	2.3	1.7	2900	Three phase 400 ~	4.0	(1)	(2)	38
AS 0631 S30/2 D (Ex)		DN 65	Vortex	3.7	3.0	2900	Three phase 400 ~	6.2	(1)	(2)	46
AS 0641 S30/2 D (Ex)		DN 65	CONTRABLOCK	3.7	3.0	2900	Three phase 400 ~	6.2	(1)	(2)	42
AS 0830 S10/4 W (Ex)		DN 80	Vortex	1.7	1.0	1450	Single phase 220-240 ~	7.5	(1)	(2)	40
AS 0830 S13/4 D (Ex)		DN 80	Vortex	1.9	1.3	1450	Three phase 400 ~	3.6	(1)	(2)	40
AS 0830 S22/4 D (Ex)		DN 80	Vortex	2.9	2.2	1450	Three phase 400 ~	5.2	(1)	(2)	42
AS 0840 S12/2 W (Ex)		DN 80	CONTRABLOCK	1.8	1.2	2900	Single phase 220-240 ~	8.2	(1)	(2)	35
AS 0840 S12/2 D (Ex)		DN 80	CONTRABLOCK	1.7	1.2	2900	Three phase 400 ~	3.3	(1)	(2)	35
AS 0840 S17/2 D (Ex)		DN 80	CONTRABLOCK	2.3	1.7	2900	Three phase 400 ~	4.0	(1)	(2)	35
AS 0840 S26/2 D (Ex)		DN 80	CONTRABLOCK	3.4	2.6	2900	Three phase 400 ~	5.6	(1)	(2)	40

* P₁ = Power taken from the mains; P₂ = Power at the motor shaft
For single phase versions start and run capacitor required in addition unless purchased with control panel.

** Special rubber compound cable with free cable ends
(1) 4G1,5 (2) 7G1,5 (4) 3G1,0 (5) 4G1,0

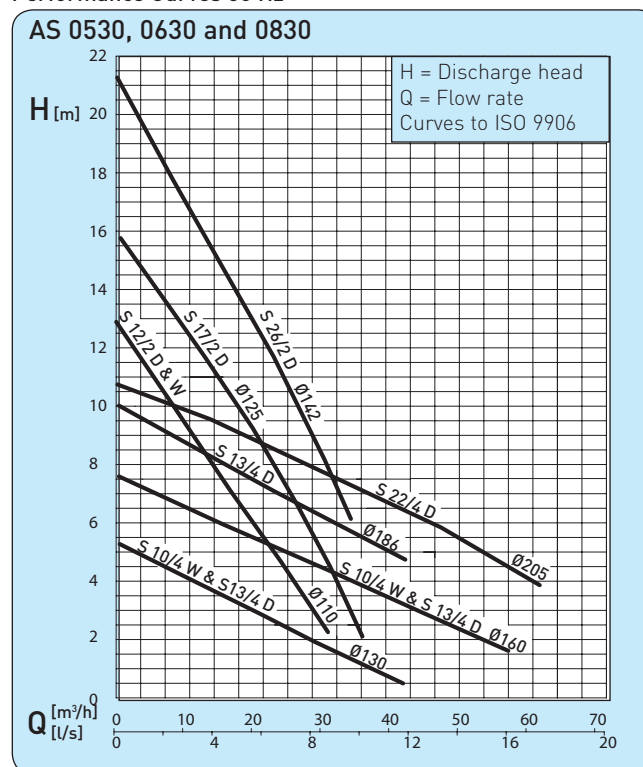
*** Weight with 10 m cable

Performance Curves 50 Hz



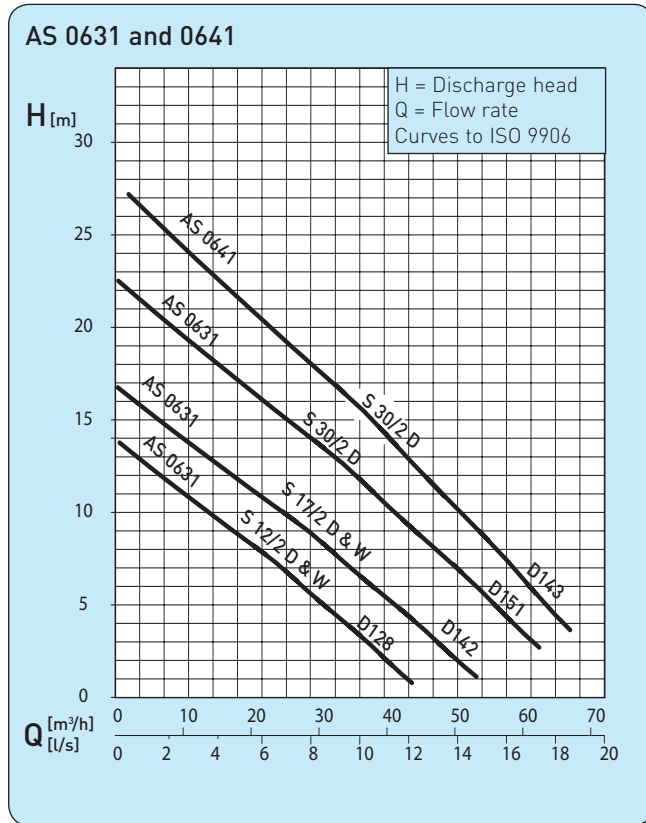
Performance curves for 60 Hz are available on request.

Performance Curves 50 Hz



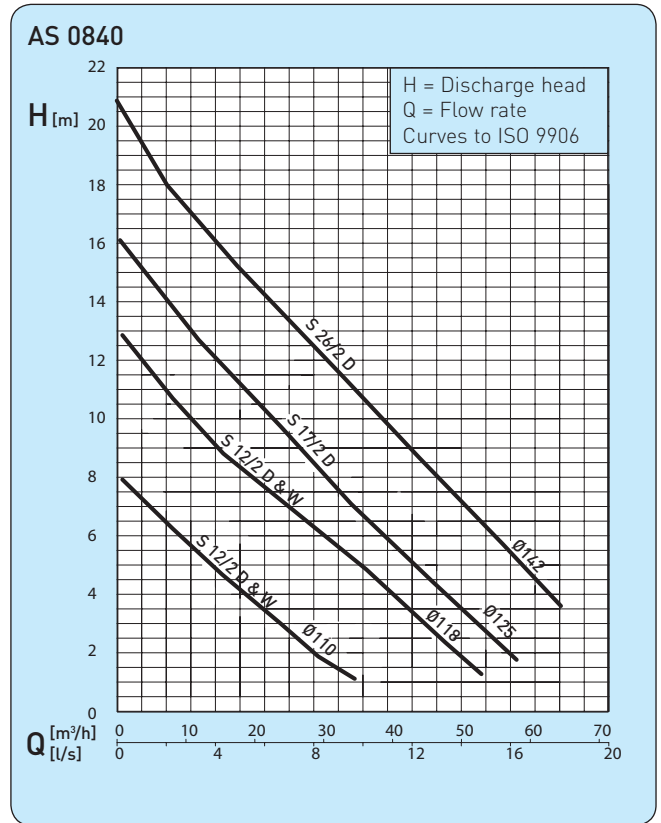
Performance curves for 60 Hz are available on request.

Performance Curves 50 Hz



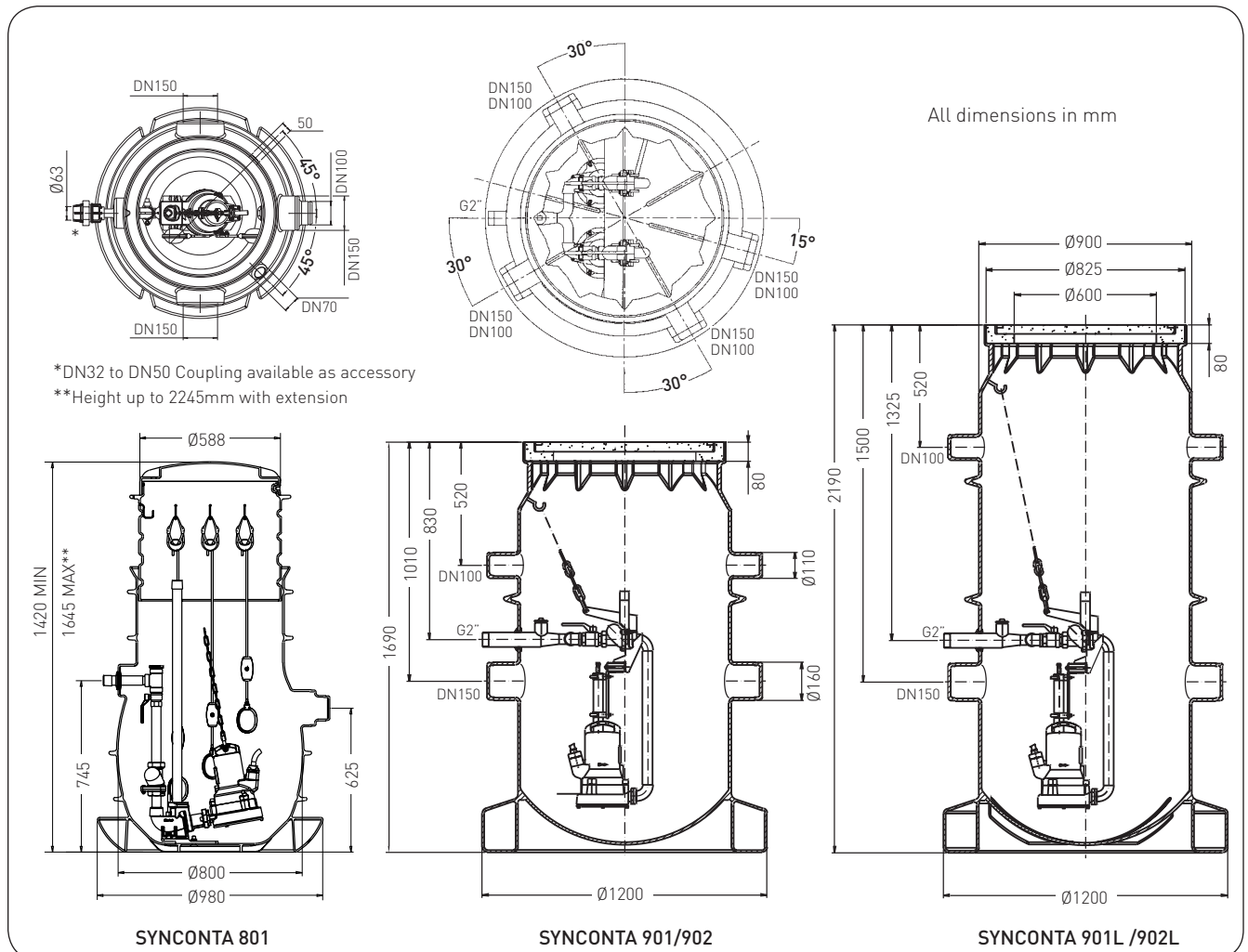
Performance curves for 60 Hz are available on request.

Performance Curves 50 Hz



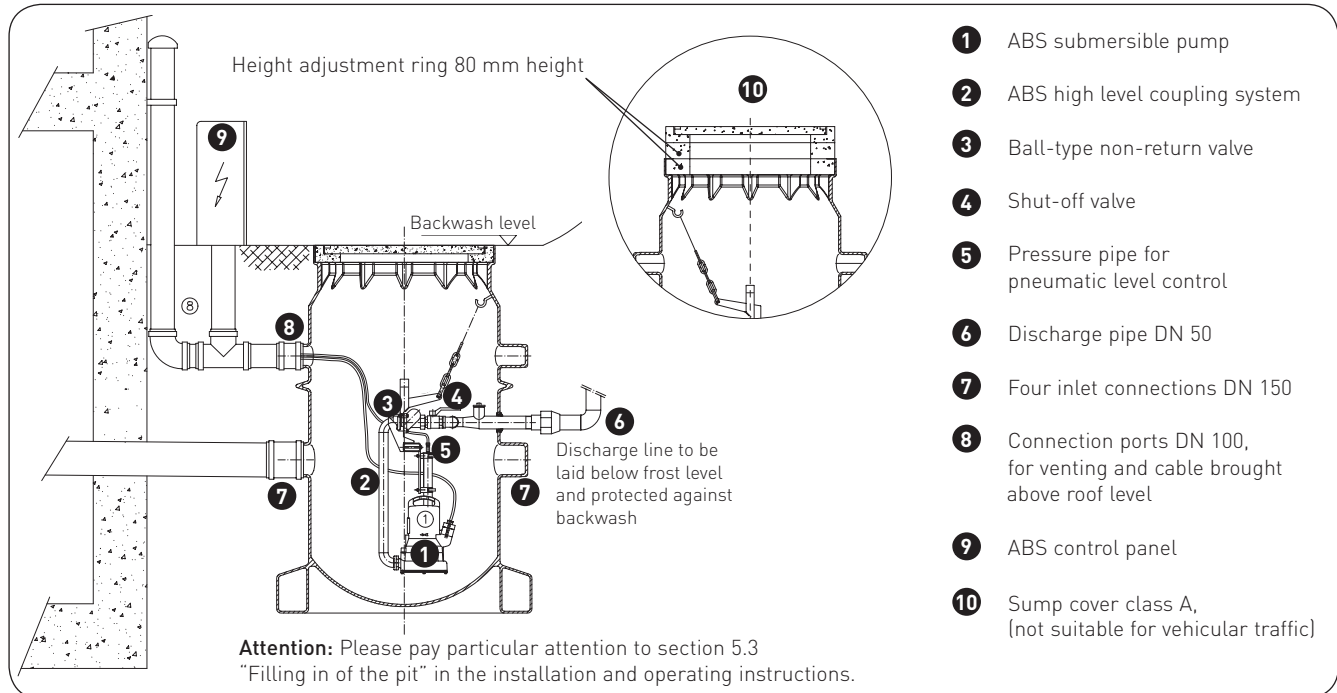
Performance curves for 60 Hz are available on request.

Dimensions



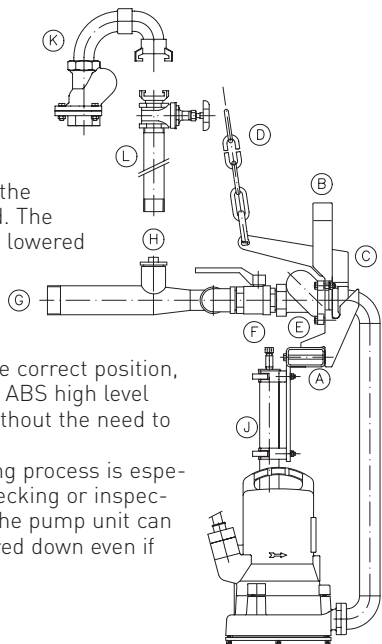
ABS LIFTING STATION SYNCONTA 801 to 902L

Installation example SYNCONTA 901/902

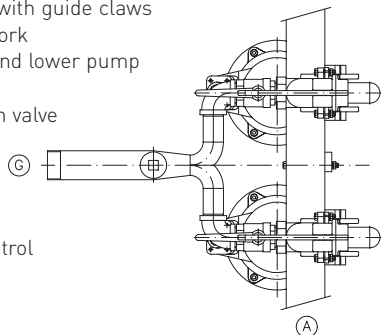


ABS High Level Coupling for SYNCONTA 901/902

The ABS high level coupling ensures a quick and easy installation. It is installed and secured in the sump together with the valves before the sump itself is installed. The complete pump unit is lowered with a chain by hand down into the guide claws and locates itself in the correct position, effecting a seal on the ABS high level discharge coupling, without the need to enter the sump. This automatic coupling process is especially useful where checking or inspection work is needed. The pump unit can be lifted out and lowered down even if the sump is flooded.



- A Cross beam
- B High level coupling with guide claws
- C Bracket with pipe work
- D Chain to withdraw and lower pump for inspection
- E Ball-type non-return valve
- F Shut-off valve
- G Discharge line connection G 2"
- H Flushing connection
- J Pneumatic level control
- K Vacuum breaker
- L Flushing connector



Description

SYNCONTA 801

Tank, complete with pedestal and installation kit, including bracket, non-return valve, chain and shackle etc.

DN32 for PIRANHA pumps

07565411

DN50 for AS pumps

07565412

Accessories:

Sump cover (Cast iron for frame with concrete filling) Class A

14995000

Height adjustment ring (Concrete) 80 mm height

44505000

Level Sensor Kit

62665180

Float Kit (10m)

62665181

Extension Kit (600mm)

62665182

Vacuum breaker

61180521

Coupling (DN32 internal thread to DN50 plastic pipe) 13740039

SYNCONTA 901 to 902L

DN 32 tank 901/902

07565401/2

DN 32 tank 901L /902L

07565403/4

DN 50 tank 901/902

07565288/9

DN 50 tank 901L /902L

07565290/1

Accessories:

Sump cover (Cast iron for frame with concrete filling) Class A

14995000

Height adjustment ring (Concrete) 80 mm height

44505000

Flushing connection with discharge line connection, shut-off valve and coupling Geka 1¼"

61185001

Vacuum breaker

61180521

Control unit for 801 to 902L: Basic unit for internal erection with alarm, potential-free fault indicator. Option of float switch or electropneumatic level control system.

Control units for external erection also available.

Contact ABS for further information on our range of Control Panels