

ABS lifting station Sanimat 4002

Flood-proof lifting station for automatic pumping of wastewater and sewage from areas below the backwash level in accordance with EN 12050-1. Ideal for effective dewatering of areas such as apartment blocks, hospitals, hotels and large commercial developments. Suitable for new installations or for renovation of old buildings.



Features

- Sturdy construction; easily transported and fitted. Compact dimensions allow passage through a standard door opening.
- Four outflow port options (DN 100) for fitting with two selected pumps from the XFP range.
- Six inflow port options: four horizontal (1 x DN 100, 2 x DN 150, 1 x DN 200) and two vertical (1 x DN 100, 1 x DN 150). Also features one connection (DN 70) for a vent pipe and two connections (Ø 50 mm) for connection of a hand membrane pump.
- Fitted with pneumatic level control pipe for automatic level control.
- XFP pumps are designed for continuous running (S1) without additional cooling, and feature a Premium Efficiency motor, blockage-free Contrablock Plus hydraulics, seal monitoring and temperature control.
- Pump discharge DN 80 or DN 100 with flange connection.
- Control panel featuring bubble compressor and mains-independent alarm with built-in backup battery.
- Maximum allowable medium temperature 40 °C; or up to 60 °C intermittent (max. 5 minutes).

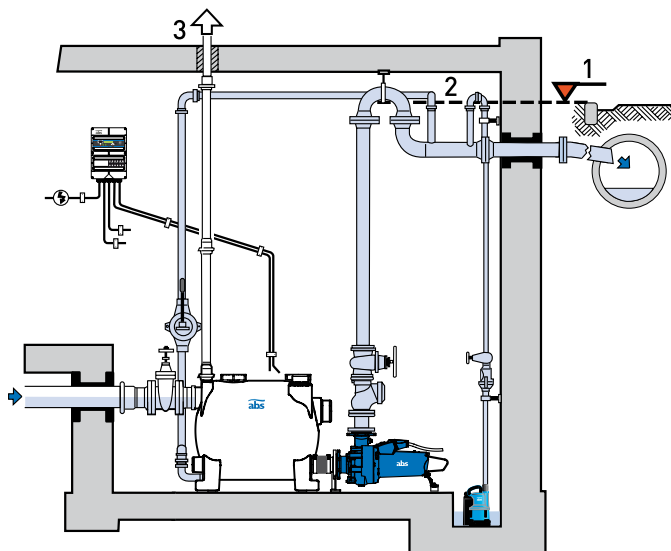


Materials

Description	Material
Tank	Polyethylene
Motor housing	Cast iron EN-GJL-250
Rotor shaft	Stainless steel 1.4021 (AISI 420)
Volute	Cast iron EN-GJL-250
Impeller	Cast iron EN-GJL-250
Bottom plate	Cast iron EN-GJL-250

Installation

Attention to the backwash level is of vital importance for effective dewatering. All outflow points located below the backwash level must be protected against back flow according to standard EN 12056-4.



1. Backwash level
2. Backwash loop with base below the backwash level
3. External ventilation pipe

Rooms for sewage lifting stations must be large enough that a working area of at least 60 cm width or height is available around all parts which have to be operated or maintained. A pump sump has to be provided for dewatering of the room itself.

Tank

Synthetic, corrosion-resistant, gas- and odour-tight tank in accordance with EN 12050-1. Supplied as standard with pumps, mounting kits, control panel and pneumatic level control pipe.

Capacity: 348 L
 Weight (tank only): 32 kg
 Switching level: 182 mm

Pump

With Premium Efficiency IE3 motor, double mechanical seals, oil chamber, seal monitoring, and thermal sensors in the stator to prevent overheating. Water pressure sealed, squirrel cage 4- or 6-pole induction motor. Insulation: Class H (180 °C). Protection type IP 68. See XFP data sheet for full specifications.

Technical Data

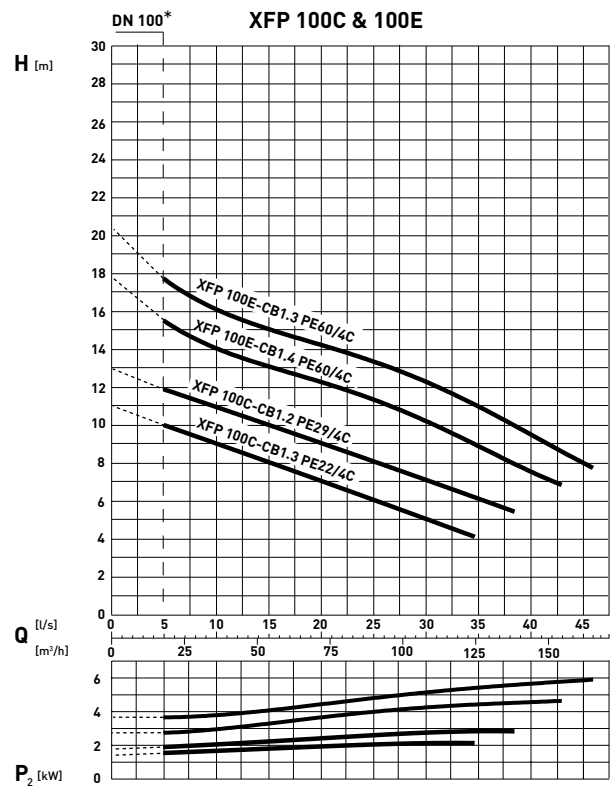
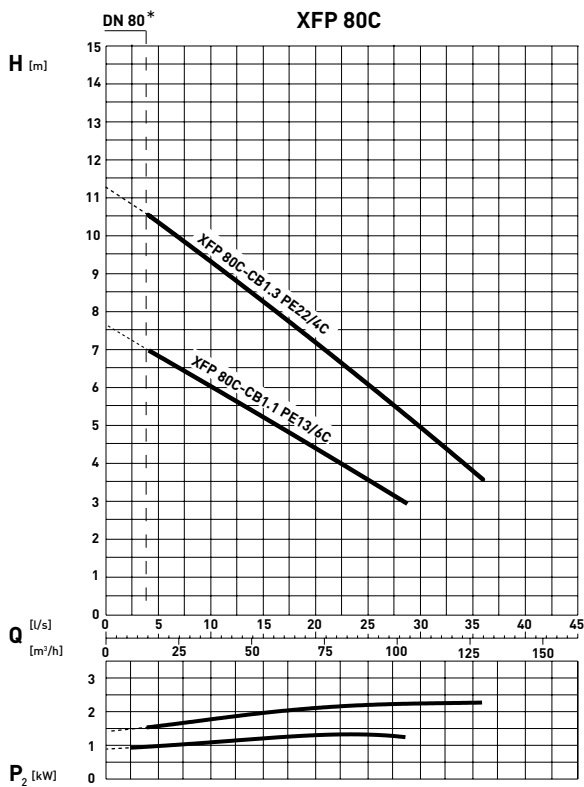
Pump	Motor	Pump discharge DN	Solids size (mm)	Rated voltage (V)	Motor power * (kW)		Rated current (A)	Speed (r/min)	Cable ** type / Starting	Weight *** (kg)
					P ₁	P ₂				
80C-CB1.1	PE13/6C	80	75	400 3~	1.6	1.3	3.6	980	(a) / DOL	231
80C-CB1.3	PE22/4C	80	75	400 3~	2.5	2.2	4.6	1450	(a) / DOL	231
100C-CB1.3	PE22/4C	100	75	400 3~	2.5	2.2	4.6	1450	(a) / DOL	245
100C-CB1.2	PE29/4C	100	75	400 3~	3.4	3.0	6.4	1450	(a) / DOL	249
100E-CB1.3	PE60/4C	100	75	400 3~	6.7	6.0	13.6	1450	(b) / YΔ	387
100E-CB1.4	PE60/4C	100	75	400 3~	6.7	6.0	13.6	1450	(b) / YΔ	387

* P₁ = power at mains P₂ = power at motor shaft

** Neoprene S1BN8-F: (a) 7G1.5, (b) 10G1.5
Cable length = 10 m

*** Includes tank, pumps, pump support and connection kits.
When fitted with hand membrane pump add 13 kg.

Performance curves



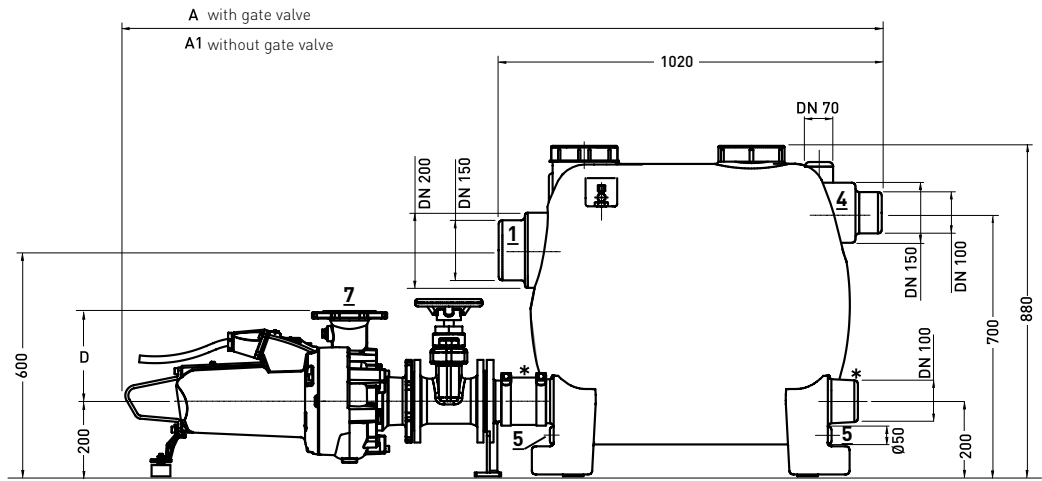
* Minimum flow rate Q for discharge pipe. H = Total head; Q = Discharge volume; Curves to ISO 9906

Dimensions

Dimensions (mm)						
Pump	A	A1	B	C	D	E
80C	2015	1825	169.5	766	240	778
100C	2044	1854	212.5	810	265	800
100E	2185	1995	226.5	950	280	848

Connections

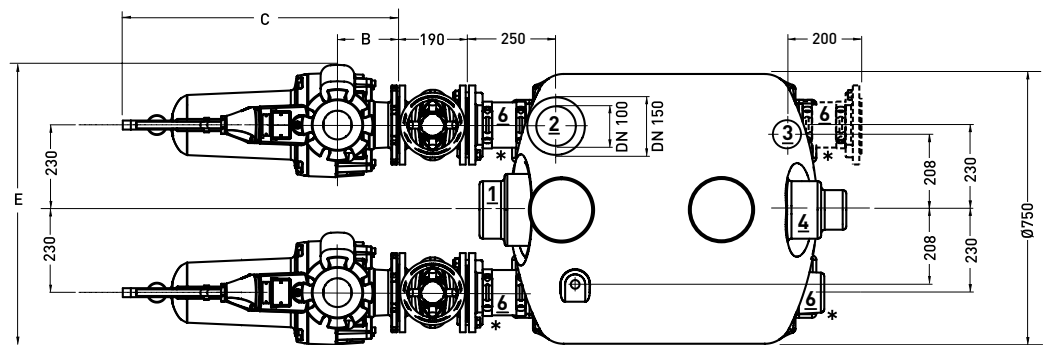
1. Inflow DN 150/200
2. Inflow DN 100/150
3. Vent/Inflow DN 70
4. Inflow DN 100/150
5. Hand membrane pump DN 40
6. Pump connection DN 100
7. Discharge flange



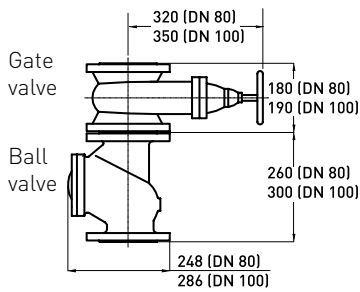
* These connection points are suitable only for the fitting of pumps and are not to be used as inflow ports.

Inlet Diameters

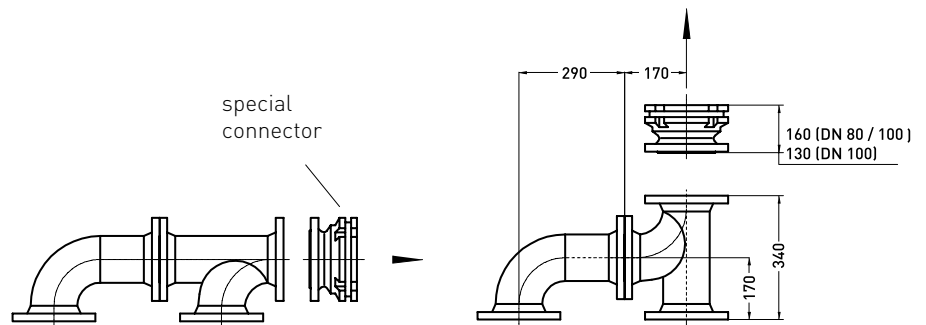
Ø	[mm]
DN 70	+0.2 ø75 -1.0
DN 100	+0.3 ø110 -1.0
DN 150	+0.4 ø160 -1.5
DN 200	+0.5 ø200 -1.5



Valves



Junction Piece



Accessories

	Description	Size	Part no.
Discharge side	1) Non-return Valve (EN-GJL-250) ball valve with inspection hatch and venting screw. Includes one set of bolts and one gasket. Flange connection, PN10 rated.	DN 80 DN 100	61400534 61400535
	2) Gate Valve (EN-GJL-250) with hand wheel, one set of bolts and one gasket. Flange connection, PN10 rated.	DN 80 DN 100	61420500 61420501
	3) Junction Piece (galvanised steel) to join two discharge lines in the case of a twin pump station. Flange connection, PN16 rated.	DN 80/80/80 DN 100/100/100	62610025 62610026
	4) Special Connection Piece (EN-GJL-250) for flexible connection of the discharge line.	DN 80/80 DN 80/100 DN 100/100	62550008 62550009 62550007
	5) Hand Membrane Pump (EN-GJL-250) with integral non-return valve	G 1½"	14990028
Inflow side	6) Flanged Sleeve E-KS (EN-GJL-250) transition piece DIN flange/push-on sleeve with one set of bolts and one gasket. Two sleeves needed for each valve.	DN 100 DN 150	62540025 62540026
	7) Gate Valve (EN-GJL-250) with hand wheel, one set of bolts and one gasket. Flange connection, PN10 rated.	DN 100 DN 150	61420501 61420503

Accessories 1-4, 6 & 7 are required for installation of tank; hand membrane pump is optional but recommended.

