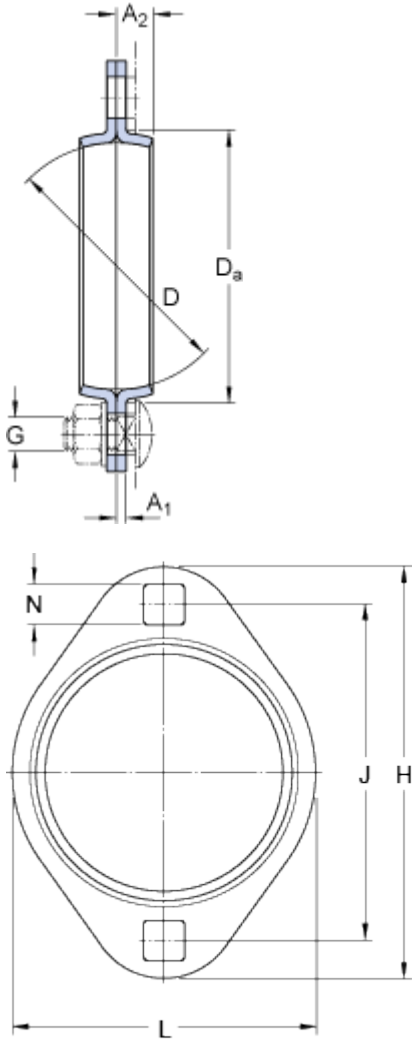


# PFT 47

Material Pressed steel

## Dimensions



D	47	mm
A <sub>1</sub>	2	mm
A <sub>2</sub>	8	mm
D <sub>a</sub>	min. 51	mm
J	71.4	mm
H	91	mm
L	67	mm
N	8.7	mm

## Calculation data

Permissible radial load	max.	3.3	kN
-------------------------	------	-----	----

## Mass

Mass housing	0.1	kg
--------------	-----	----

## Mounting information

Recommended diameter for attachment bolts, mm	G	8	mm
Recommended diameter for attachment bolts, inch	G	0.312	in