

GRINDER 1000 - 1200 - 1600

SEWAGE PUMPS WITH CUTTING SYSTEM



CE SEWAGE AND WASTE WATER FOR SMALL DISCHARGE PIPES

Submersible centrifugal pump fitted with cutting system suitable for pumping domestic wastewater with usual solid additions. Solids which cannot be transported are rejected outside of the pump by the cutting rotor as the cutting system is located upstream from the pump hydraulics. Cover, motor body, hydraulic section and impeller in cast iron EN-GJL 200, grinding device in AISI440C. **Carbon/alumina** double mechanical seal. Dry type asynchronous sealed motor. Rotor mounted on ball bearings to ensure silent running and long life. In the single-phase version capacitor current protection in external control box, supplied with the pump.

Motor protection level: IP 68.

Insulation class: F.

Continuous duty with pump completely immersed. The single-phase version can be equipped with float switch for automatic starting and stopping of the pump.

Supplied as standard with 10 mt H07RN-F power cable.

Operating range: from 0 to 22 m³/h with head up to 25 mt.

Liquid quality requirements: Not aggressive sewage, drain water.

Liquid temperature range: From 0° to + 40°.

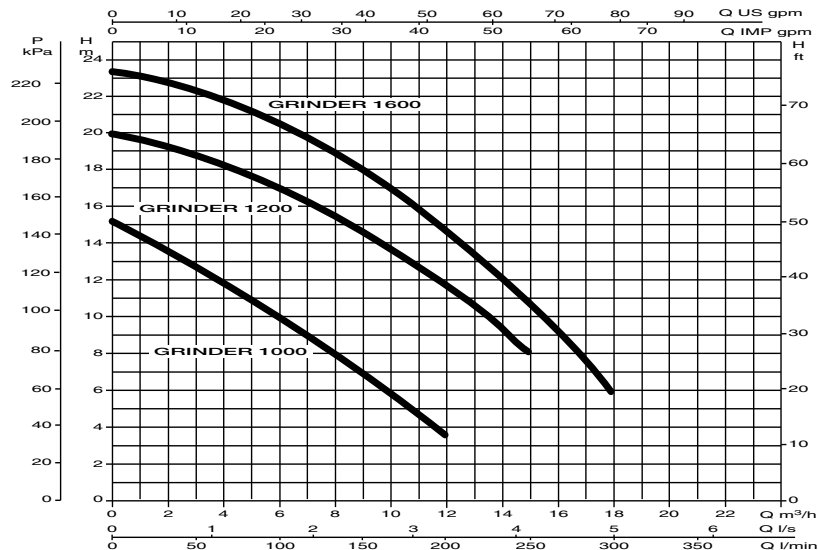
Maximum immersion depth: 10 mt.

Installation: portable, in vertical position.

Free passage: 5mm.

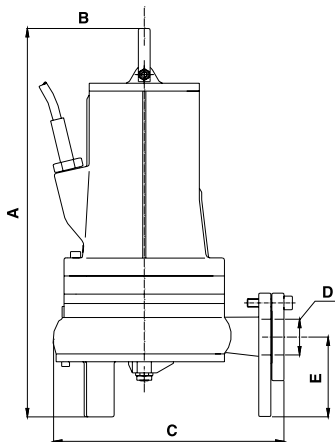
TECHNICAL DATA

| MODEL | CODE | ELECTRICAL DATA | | | | | | |
|-------------------|----------|------------------|--------------|------------|-----|---------|-----------|-----|
| | | VOLTAGE 50 HZ | P1 MAX kW | P2 NOMINAL | | In A | CAPACITOR | |
| | | | | kW | HP | | µF | VC |
| Grinder 1000 M-A | 60141604 | 1X220 - 240 V~ | 1,5 | 1 | 1,3 | 8 | 30+40 | 450 |
| Grinder 1000 M-NA | 60141603 | 1X220 - 240 V~ | 1,5 | 1 | 1,3 | 8 | 30+40 | 450 |
| Grinder 1000 T | 60141602 | 3X400 V~ | 1,6 | 1 | 1,3 | 2,8 | - | - |
| Grinder 1200 M-A | 60141601 | 1X220 - 240 V~ | 2,8 | 1,5 | 2,0 | 12,7 | 35+40 | 450 |
| Grinder 1200 M-NA | 60141600 | 1X220 - 240 V~ | 2,8 | 1,5 | 2,0 | 12,7 | 35+40 | 450 |
| Grinder 1200 T | 60141599 | 3X400 V~ | 2,7 | 1,5 | 2,0 | 4,7 | - | - |
| Grinder 1600 M-A | 60141587 | 1X220 - 240 V~ | 3,8 | 1,8 | 2,4 | 16,8 | 35+40 | 450 |
| Grinder 1600 M-NA | 60141585 | 1X220 - 240 V~ | 3,8 | 1,8 | 2,4 | 16,8 | 35+40 | 450 |
| Grinder 1600 T | 60141588 | 3X400 V~ | 3,3 | 1,8 | 2,4 | 5,8 | - | - |



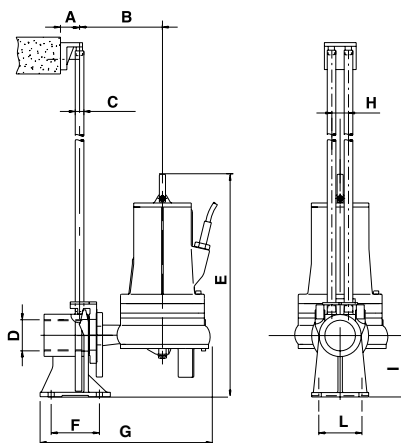
DIMENSIONS AND WEIGHTS

GRINDER 1000-1200-1600



| MODEL | A | B | C | E | DNM GAS | Q.TY X PALLET | WEIGHT KG |
|--------------|-----|-----|-----|-----|---------|---------------|-----------|
| GRINDER 1000 | 445 | 145 | 270 | 110 | 2" | 6 | 38 |
| GRINDER 1200 | | | | | | | 39 |
| GRINDER 1600 | | | | | | | 40 |

GRINDER 1000-1200-1600



| MODEL | A | B | C (DIAM) | D | E | F | G | H | I | L |
|--------------|----|-----|----------|-----|-----|----|-----|----|-----|----|
| GRINDER 1000 | 50 | 160 | 3/4" | 2"G | 540 | 85 | 410 | 38 | 130 | 94 |
| GRINDER 1200 | | | | | | | | | | |
| GRINDER 1600 | | | | | | | | | | |