

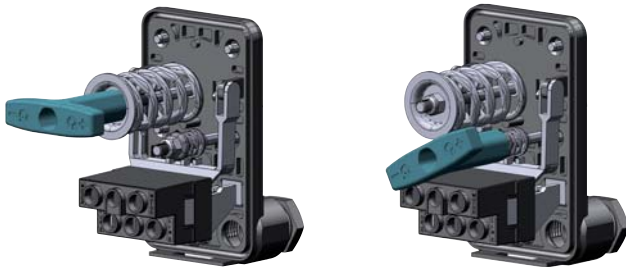
PRESSURE SWITCHES FOR WATER SYSTEM APPLICATIONS



Construction

- Pressure switches for use with water in autoclave systems
- The switch ensures automatically the starting and stopping of the electric pump according to the set pressure values
- Electric contacts: normally closed and made of brass alloy with Ag-Ni surfacing
- Terminals with M4 screws and 8x8 mm pressure dice
- NBR rubber membrane with textile insert (food grade for PMAT 5M-10, PMAT 5M/T-16, PMAT 5.5M/T-16)
- 1/4" F hydraulic connection made of galvanized steel
- Standard protection degree IP 44
- Max ambient temperature: 55°C
- Tear resistant cable clamps

Adjustment key included



Technical data

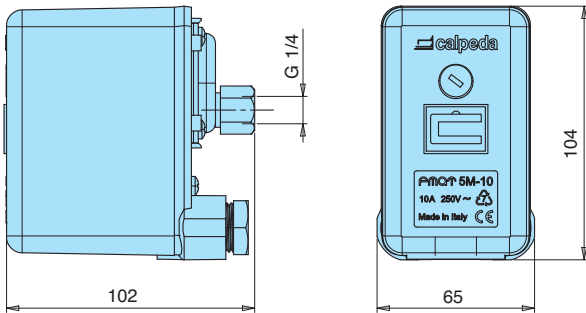
| 2-pins | max A | Pressure range bar | Differential | | Factory setting bar |
|------------|-------|--------------------|--------------|---------|---------------------|
| | | | min bar | max bar | |
| PMAT 5M-10 | 10 | 1 - 5 | 0,6 | 2,3 | 1,4 - 2,8 |

Maximum rated voltage 250V

| 2-pins | max A | Pressure range bar | Differential | | Factory setting bar |
|----------------|-------|--------------------|--------------|---------|---------------------|
| | | | min bar | max bar | |
| PMAT 5M/T-16 | 16 | 1 - 5 | 0,6 | 2,3 | 1,4 - 2,8 |
| PMAT 5,5M/T-16 | 16 | 1,5 - 5,5 | 0,8 | 2,2 | 1,8 - 3 |
| PMAT 12M/T-16 | 16 | 3 - 12 | 1,5 | 5 | 5 - 7 |

Maximum rated voltage 500V

Dimensions



Connection diagram

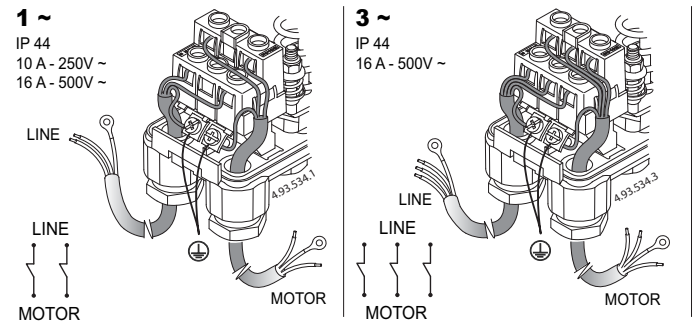


Diagram setting

