

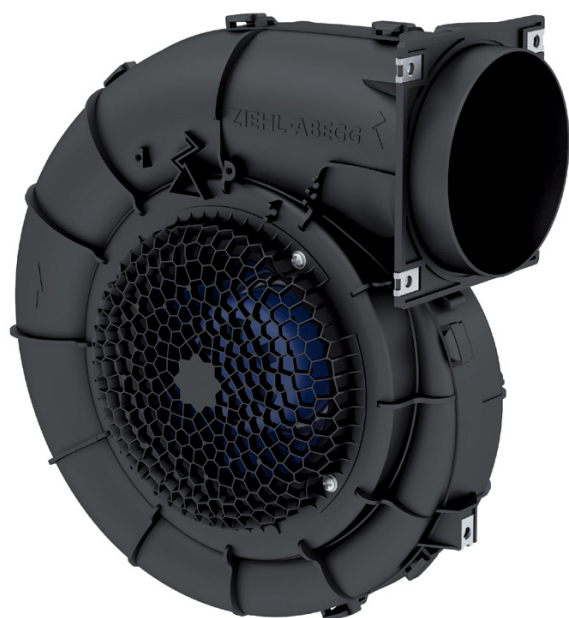
Fiche produit Motralec Ziehl Abegg RG16V Spiralvent English - fiche technique | Motralec

■ **DEMANDE DE PRIX RAPIDE** : <https://www.motralec.com/demandeContact>www.motralec.com / service-commercial@motralec.com / 01.39.97.65.10

Movement by Perfection



The Royal League in ventilation, control and drive technology



RG16V Spiralvent

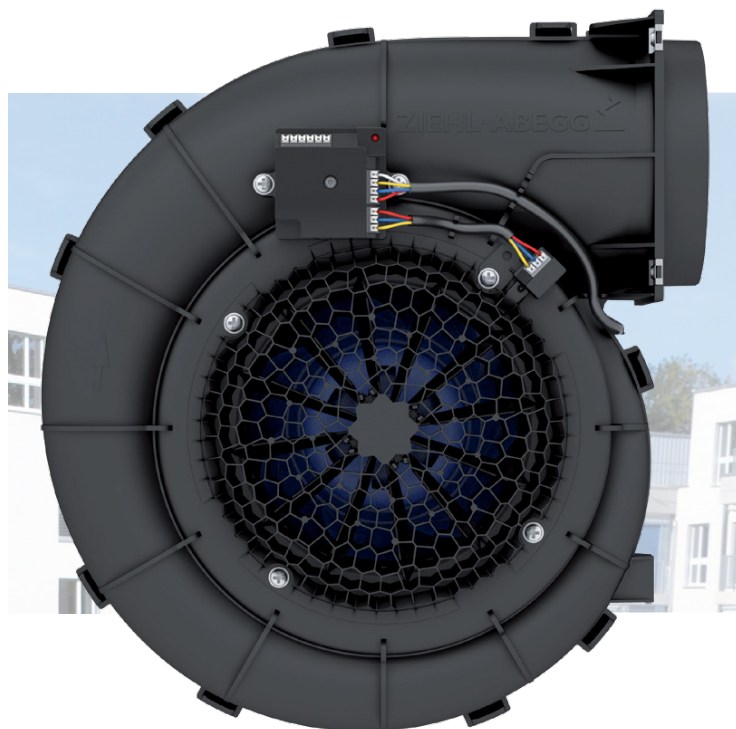
Lightweight scroll housing fan system

ZIEHL-ABEGG 

RG16V Spiralvent

The ZAvblue RG16V scroll housing fan system, developed in accordance with the biomimicry principle, cannot be beaten in terms of efficiency. The precisely coordinated components deliver absolute top results even when used in narrow installation situations, and provide very quiet, energy-saving operation. The unique components are significant and are accompanied by a newly designed sensor technology that provides the overall system with constant air flow measurements, the possibility of a permanent constant air flow and sustainable, very economical operation due to the constantly adjusted air flow.

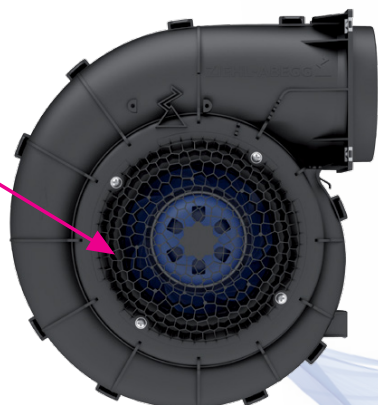
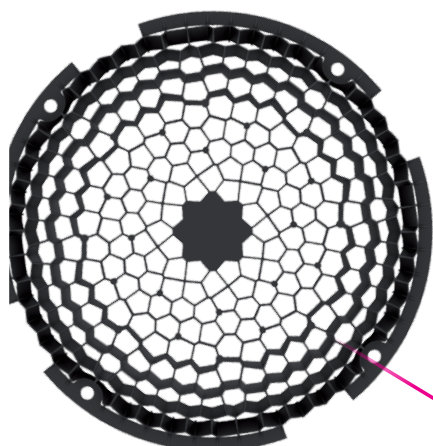
With the newly designed backward-curved impeller with its lightweight construction and fewer blades, combined with the specially optimized and sensitively adapted scroll housing with standardized air outlet, and the high efficiency ECblue energy-saving motor, the intelligent ZAvblue RG16V fan system is the new benchmark in its applications.



RG16V Spiralvent - for optimum indoor air

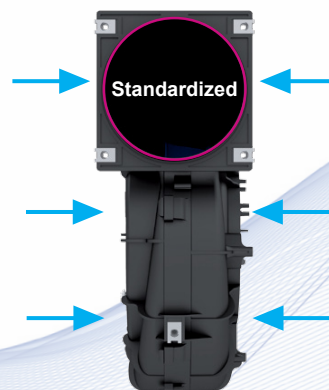
Exceptional advantages thanks to optimized scroll housing:

- Maximum static system efficiency up to 57,7%
- Incomparably quiet
- Biomimicry principle design of the overall system - efficient, sustainable, maximum energy saving potential
- Space-saving with integrated cable management
- Outlet design prepared for O-ring in accordance with DIN 3771



Use in apartment buildings:

Very compact individual ventilation units
Smaller ducts -> higher pressure drops



Drop-in replacement

for “anytime replacement”

Up to **57.7%** efficiency,
economical, quiet and climate-friendly operation



Coming soon



New sensor technology for constant air flow at all times

even in narrow installation situations

Scroll housing

Optimized for best acoustics



Sensorbox

Optimum indoor air and constant air flow - continuous temperature, pressure and humidity measurement

ZAvblue

biomimicry centrifugal fan - small, compact, backward curved, fewer blades unbeatable performance

ECblue Technology

Intelligent energy-saving motor - climate-friendly, maximum efficiency, greatest energy saving potential

ZAflow

Improves the inflow situation to reduce acoustics



Applications: • Ventilation technology and heat pumps in single family houses and apartments
• Air curtains • Fan Coil Units • Electronic cooling for e.g. data centers and switch cabinets • Office Phone Booths • Air filters • Kitchen exhaust units • Car charging stations

THE ROYAL LEAGUE



ZIEHL-ABEGG SE Heinz-Ziehl-Straße 74653 Künzelsau +49 7940 16-0 info@ziehl-abegg.de ziehl-abegg.com

Fiche produit Motralec Ziehl Abegg RG16V Spiralvent English - fiche technique | Motralec

■ **DEMANDE DE PRIX RAPIDE** : <https://www.motralec.com/demandeContact>

© by ZIEHL-ABEGG SE - 00712523 - EN - 03/2023 - IPW - This brochure contains information for your guidance. No guarantee is provided with regard to the accuracy of all information and no legal claims may be derived from this. Reproduction of this information, or extracts thereof, is permitted only with written approval.

Besoin d'un prix ou d'un conseil technique ?

Ventilateur Ziehl Abegg RG16V SPIRALVENT



4,7/5 . +600 avis Google

- Devis rapide et conseil technique par nos spécialistes
- Plus de 200 000 références et 30 marques distribuées
- Vente, réparation, bobinage et SAV en atelier
- Livraison partout en France, accompagnement avant et après-vente

Voir la gamme Ziehl Abegg sur notre site :

www.motralec.com/.../ziehl-abegg

DEMANDER UN PRIX >