

Fiche produit Motralec Ziehl Abegg PXET Q - fiche technique | Motralec

■ DEMANDE DE PRIX RAPIDE : <https://www.motralec.com/demandeContact>

Electronic voltage controllers www.motralec.com / service-commercial@motralec.com / 01.39.87.65.10

Electronic voltage controllers

1~ Acontrol, universal controller with bypass main switch



A rotary knob is integrated into the front of these devices for speed or setpoint presetting. The illuminated display integrated into the rotary knob indicates the operating condition

A bypass main switch is integrated which facilitates bypassing the internal device electronics. In the bypass position, the applied mains voltage is switched directly to the output.

Input for sensors or speed settings through



Setting of the desired speed through device or by external default, e.g. 0...10 V



Connecting pressure sensors (refrigeration), e.g. type MBG.. sensors, measuring range 0...30 bar, 0...50 bar



Connection of thermistors, e.g. sensors type TF.. e.g. active sensor type MTG..



Connecting differential pressure sensors (air conditioning), e.g. type MPG.. sensors, measuring range 0...6000 Pa, acquisition of volume flows up to 65000 m³/h

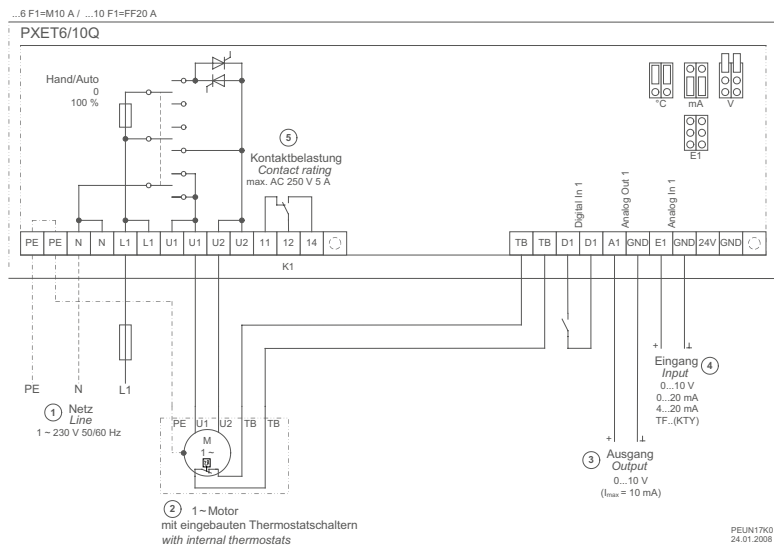


Connecting air velocity sensors, e.g. type MAL.. sensors, measuring range 0...1 m/s, 0...10 m/s



Connecting additional sensors, e.g. combination sensors, CO₂, sensor signal 0...10 V / 0...20 mA / 4...20 mA

Connection diagram



- ① Line
- ② 1~ Motor with integrated thermostats
- ③ Output
- ④ Input
- ⑤ Contact load

PEUN1760
24.01.2008

Interference emission according to EN 61000-6-3 (domestic)
Interference immunity according to EN 61000-6-2 (industrial)

Equipment/Properties

Simple commissioning:

This takes place by Dip switches, potentiometers or jumpers.
By setting the Dip switches accordingly, the desired device function (operating modes: speed controller, temperature or pressure controller) can be set. The setpoint setting is made by potentiometers.

An analog input for sensors or setting signal

Analog input E1: Setting/activation by selection of the operating modes (Dip switches, jumpers) e.g. 0-10 V, 4-20 mA. In operation as a controller connection of the appropriate sensor.

1 digital input D1

For connection of an external, potential-free contact.
Enable function On/Off, external reset after motor fault, control function reversal, e.g. heating, cooling

1 analog output A1

Output signal proportional to modulation or constant voltage +10 V (max. 10 mA) for connection of an external potentiometer for speed setting

1 potential-free fault indication relay K1:

The relay drops out in the event of a fault. Max. load 250 V, 5 A.

Integrated motor protection function

Connection possibility for thermostats "TB"

Acontrol, universal controller with bypass main switch									
1~ 230V 50/60Hz									
Type	Article no.	Rated current	Rated temperature	Max. line fuse	Max. heat dissipation	Maximum ambient temperature	Protection class	Weight	Dimensions (W x H x D)
		A	°C	A	W	°C		kg	mm
PXET6Q	303612	6	45	10	20	55	IP54	2.20	223 x 200 x 131
PXET10Q	303613	10	40	16	40	55		2.30	240 x 284 x 132

ziehl-abegg.com



85

Fiche produit Motralec Ziehl Abegg PXET Q - fiche technique | Motralec

■ **DEMANDE DE PRIX RAPIDE** : <https://www.motralec.com/demandeContact>

Information

Motor protection

Fcontrol, lcontrol

UNIcon

Acontrol, Ucontrol, Dcontrol

Transformer

System components

Appendix

Besoin d'un prix ou d'un conseil technique ?

Controllers Ziehl Abegg PXET Q



4,7/5 . +600 avis Google

- Devis rapide et conseil technique par nos spécialistes
- Plus de 200 000 références et 30 marques distribuées
- Vente, réparation, bobinage et SAV en atelier
- Livraison partout en France, accompagnement avant et après-vente

Voir la gamme Ziehl Abegg sur notre site :

www.motralec.com/.../ziehl-abegg

DEMANDER UN PRIX >