

Fiche produit Motralec Ziehl Abegg PTE - fiche technique | Motralec

■ DEMANDE DE PRIX RAPIDE : <https://www.motralec.com/demandeContact>

Electronic voltage controllers www.motralec.com / service-commercial@motralec.com / 01.39.87.65.10

Electronic voltage controllers

1~ Acontrol, temperature controller with bypass main switch



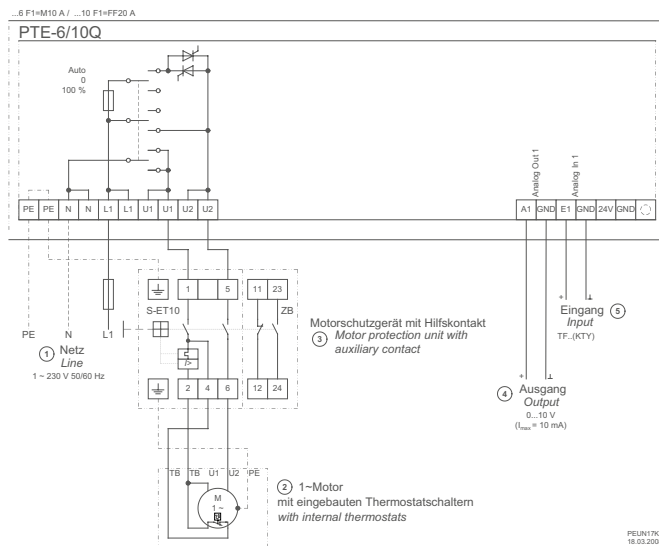
These versions are ideal for stable climate control in agriculture or for classic temperature-dependent air supply and ventilation jobs. A rotary knob is integrated in the front of the device to set the setpoint temperature. The illuminated display in the rotary knob indicates the operating condition. A bypass main switch is integrated, providing a facility to bypass the internal device electronics. In the bypass position, the applied line voltage is switched directly to the output. A room temperature sensor in IP54 is included in the scope of delivery.

Input for sensors or speed settings through



Connection of thermistors,
Sensor for input 1, type TFR included in the scope of supply

Connection diagram



Interference emission according to EN 61000-6-3 (domestic)
Interference immunity according to EN 61000-6-2 (industrial)

Equipment/Characteristics

Simple commissioning:

Set the desired temperature setpoint via a rotary knob. Setpoint 0...40 °C (or alternatively -26...+ 76 °C). Additional settings possible with internal potentiometer and dip switch.

Input for temperature sensors:

Analogue input E1: Connection for room temperature sensor (included in scope of delivery)

1 analogue output A1

Control for follow-up controller

Acontrol, temperature controller with bypass main switch 1 ~ 230V 50/60Hz

Type	Article no.	Rated current A	Rated temperature °C	Max. line fuse A	Max. heat dissipation W	Maximum ambient temperature °C	Protection class	Weight kg	Dimensions (W x H x D) mm
PTE-6Q	303618	6	45	10	20	55	IP54	1.30	223 x 200 x 131
PTE-10Q	303619	10	40	16	40	55		2.30	240 x 284 x 132

Information

Motor protection

Fcontrol, lcontrol

UNIcon

Acontrol, Ucontrol, Dcontrol

Transformer

System components

Appendix

ziehl-abegg.com



91

Fiche produit Motralec Ziehl Abegg PTE - fiche technique | Motralec

■ **DEMANDE DE PRIX RAPIDE** : <https://www.motralec.com/demandeContact>

Besoin d'un prix ou d'un conseil technique ?

Controllers Ziehl Abegg PTE



4,7/5 . +600 avis Google

- Devis rapide et conseil technique par nos spécialistes
- Plus de 200 000 références et 30 marques distribuées
- Vente, réparation, bobinage et SAV en atelier
- Livraison partout en France, accompagnement avant et après-vente

Voir la gamme Ziehl Abegg sur notre site :

www.motralec.com/.../ziehl-abegg

DEMANDER UN PRIX >