

Fiche produit Motralec Ziehl Abegg Pmcontrol Basic Modularly Expandable Speed Controller - fiche technique...

■ DEMANDE DE PRIX RAPIDE : <https://www.motralec.com/demandeContact>

Control technology [www.motralec.com](http://www.motralec.com) / service-commercial@motralec.com / 01.39.97.65.10 Centrifugal fans main catalogue with IEC standard motor

# Frequency inverters

## PMcontrol Basic, modularly extendable speed controllers



The PMcontrol Basic frequency inverters are intended for requirement-based, energy saving speed control of PM motors (permanent magnet excited synchronous motors).

In the "Basic" version the frequency inverters are speed controllers and can be controlled, for example, by 0 - 10 V. The products can also be extended functionally by pluggable add-on modules if necessary.

Add-on modules enable integration into different bus networks. Functional extension as a controller is also possible by add-on modules.

For fast commissioning, the frequency inverter is equipped with a slot for the ZAstick parameter memory. Necessary operating and motor data for optimum energetic and acoustic operation of the appropriate motor or fan are saved on the pluggable ZAstick parameter memory for the frequency inverter. As soon as voltage is applied to the frequency inverter, the data are loaded and saved as a factory setting.

### Input for sensors or speed settings through

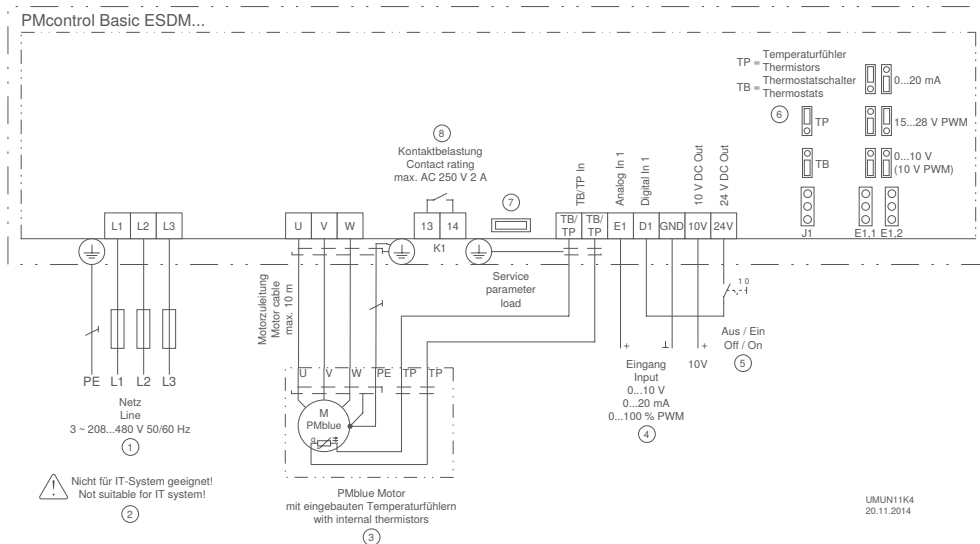


Setting of the desired speed through device or by external default, e.g. 0...10 V



Add-on modules for functional extension

### Connection diagram



- ① Line 3~ 208 V...480 V, 50/60 Hz
- ② Not suitable for IT system!
- ③ PMblue motor with built-in thermistors
- ④ Input: 0...10 V, 0...20 mA, 0...100 % PWM
- ⑤ Enable device off/on
- ⑥ TP = thermistor  
TB = thermostat
- ⑦ Interface for transfer of the motor parameters with ZAstick
- ⑧ Contact load max. 2 A / 250 V AC

UMUN11K4  
20.11.2014

Interference emission according to EN 61000-6-3 (domestic)  
Interference immunity according to EN 61000-6-2 (industrial)

Add-on modules for functional extension:

## Equipment/properties

### 1 analog input for speed setting:

Analog input E1: Setting by jumper to desired setting signal: 0-10 V, 0-20 mA or PWM

### 1 digital input:

D1 - 24 V: Enable function On/Off

### 1 potential-free fault indication contact:

The contact drops out in the event of a fault. Max. load capacity with 250 V, 2 A.

### Integrated motor protection function:

Connection possibility for thermostat "TB" or thermistor "TP".

### Slot for ZAstick parameter memory:

As soon as voltage is applied to the frequency inverter, the data of the assigned motor or fan are loaded and saved as a factory setting. The ZAstick can stay in the slot or can be removed after installation.

| Article No. | Type         |
|-------------|--------------|
| 349045      | AM-MODBUS    |
| 349077      | AM-MODBUS-WB |
| 349046      | AM-PREMIUM   |
| 349065      | AM-AMPsignal |
| 349071      | AM-ETHERCAT  |
| 349064      | AM-CAN-OPEN  |
| 349049      | AM-LON       |
| 349063      | AM-PROFIBUS  |
| 349072      | AM-PROFINET  |
| 349084      | AM-BACNET    |

| PMcontrol Basic, modularly expandable speed controller<br>3~ 208...480V 50/60Hz |               |               |               |                   |             |                |                       |                             |                  |        |                        |
|---|---------------|---------------|---------------|-------------------|-------------|----------------|-----------------------|-----------------------------|------------------|--------|------------------------|
| Type  | Article no.   | Rated voltage | Rated current | Rated temperature | Rated power | Max. line fuse | Max. heat dissipation | Maximum ambient temperature | Protection class | Weight | Dimensions (W x H x D) |
|   |               | V             | A             | °C                | kW          | A              | W                     | °C                          |                  | kg     | mm                     |
| <b>ESDM8.5</b>  | <b>306619</b> | 400           | 8.5           | 55                | 4           | 10             | 200                   | 55                          | IP54             | 5.60   | 250x302x195.5          |
| <b>ESDM17</b>   | <b>306620</b> |               | 17            | 55                | 7.5         | 20             | 400                   | 55                          |                  | 5.90   | 250x302x195.5          |
| <b>ESDM32</b>   | <b>306621</b> |               | 32            | 55                | 15          | 35             | 650                   | 55                          |                  | 19.60  | 279x405x260            |

Devices with a rated temperature below 55 °C can be used up to 55 °C with a reduction in performance  
rated power = power rating of the internal rotor motor. The motor rated current is decisive for the assignment of the frequency inverter.

ziehl-abegg.com



241

Fiche produit Motralec Ziehl Abegg Pmcontrol Basic Modularly Expandable Speed Controller - fiche technique...

■ **DEMANDE DE PRIX RAPIDE** : <https://www.motralec.com/demandeContact>

## Besoin d'un prix ou d'un conseil technique ?

Contrôleur de pompe Ziehl Abegg PMCONTROL BASIC MODULARLY EXPANDABLE SPEED CONTR



4,7/5 . +600 avis Google

- Devis rapide et conseil technique par nos spécialistes
- Plus de 200 000 références et 30 marques distribuées
- Vente, réparation, bobinage et SAV en atelier
- Livraison partout en France, accompagnement avant et après-vente

Voir la gamme Ziehl Abegg sur notre site :

[www.motralec.com/.../ziehl-abegg](http://www.motralec.com/.../ziehl-abegg)

**DEMANDER UN PRIX >**