

Fiche produit Motralec Ziehl Abegg PKE - fiche technique | Motralec

■ **DEMANDE DE PRIX RAPIDE** : <https://www.motralec.com/demandeContact>

Electronic voltage controllers www.motralec.com / service-commercial@motralec.com / 01.39.97.65.10



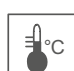
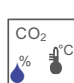
Electronic voltage controllers

1~ Acontrol, speed controller or pressure/temperature controller

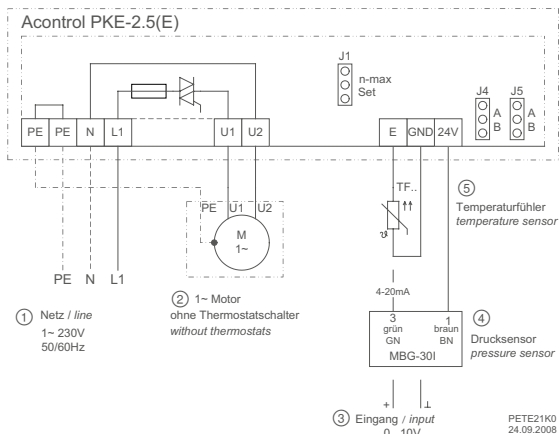


These versions are primarily used as speed controllers. They are beneficial for upstream control applications or if the device is combined with control modules from the ZIEHL-ABEGG UNIcon product family. Depending on the device version, speeds can be pre-set. They can also be set to second stage operation with external switchover, or implemented via an external potentiometer. The Acontrol voltage control devices also provide an option to control based on temperature or pressure (for example, refrigerant pressure in cooling equipment).

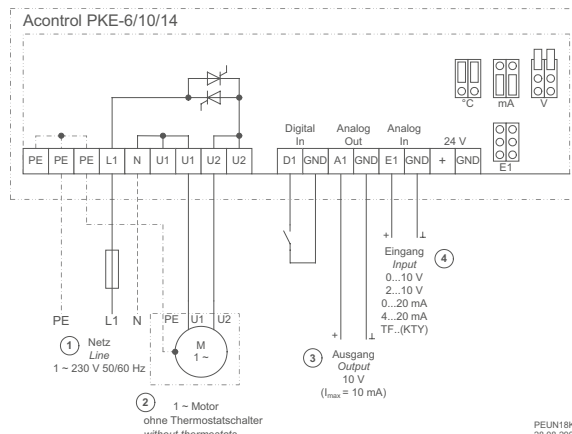
Input for sensors or speed settings through

-  Setting of the desired speed through device or by external default, e.g. 0...10 V
-  Connecting pressure sensors (refrigeration), e.g. type MBG... sensors, measuring range 0...30 bar, 0...50 bar
-  Connection of thermistors, e.g. sensors type TF... e.g. active sensor type MTG...
-  Connecting additional sensors, e.g. combination sensors, CO₂, sensor signal 0...10 V / 0...20 mA / 4...20 mA

Connection diagram



- ① Line
- ② 1~ Motor without thermostats
- ③ Input
- ④ Pressure sensor
- ⑤ Thermistor



- ① Line
- ② 1~ Motor without thermostats
- ③ Output
- ④ Input

Interference emission according to EN 61000-6-3 (domestic)
 Motor line not shielded
 Interference immunity according to EN 61000-6-2 (industrial)

Equipment/Characteristics

Simple commissioning:

Depending on the device version, commissioning through dip switch, potentiometer or jumper.
 Set the corresponding dip switch to implement the desired device function (operating modes: speed controller, temperature or pressure controller). Set the setpoint default via potentiometer.

One analogue input for sensors or default signal

Analogue input E: Set/enable by selecting the operating mode (dip switch, jumper) e.g. 0-10 V, 4-20 mA. When operating as controller connection of corresponding sensor.

1 digital inputs D1

(only for versions 6-14 A):

For connecting an external, floating contact.
 D1: enable function On/Off

1 analogue output A1

(only for versions 6-14 A):

Output signal proportional modulation or constant voltage +10 V (max. 10 mA) to connect an external potentiometer for speed preset

Acontrol, speed controller or pressure/temperature controller for cooling									
1~ 230V 50/60Hz									
Type	Article no.	Rated current	Rated temperature	Max. line fuse	Max. heat dissipation	Maximum ambient temperature	Protection class	Weight	Dimensions (W x H x D)
		A	°C	A	W	°C		kg	mm
PKE-2.5E	303620	2.5	40	10	10	40	IP20	0.26	93 x 96 x 42
PKE-2.5	303600	2.5	40	10	10	40	IP54	0.45	100 x 190 x 75
PKE-6	303614	6	40	10	15	55		0.60	100 x 190 x 75
PKE-10	303615	10	40	16	25	55		0.90	100 x 190 x 75
PKE-14	303625	14	40	20	35	55		2.00	240 x 284 x 115

ziehl-abegg.com



93

Fiche produit Motralec Ziehl Abegg PKE - fiche technique | Motralec

■ DEMANDE DE PRIX RAPIDE : <https://www.motralec.com/demandeContact>

Information

Motor protection

Fcontrol, lcontrol

UNIcon

Acontrol, Ucontrol, Dcontrol

Transformer

System components

Appendix

Besoin d'un prix ou d'un conseil technique ?

Controllers Ziehl Abegg PKE



4,7/5 . +600 avis Google

- Devis rapide et conseil technique par nos spécialistes
- Plus de 200 000 références et 30 marques distribuées
- Vente, réparation, bobinage et SAV en atelier
- Livraison partout en France, accompagnement avant et après-vente

Voir la gamme Ziehl Abegg sur notre site :

www.motralec.com/.../ziehl-abegg

DEMANDER UN PRIX >