

Fiche produit Motralec Ziehl Abegg PDE - fiche technique | Motralec

■ DEMANDE DE PRIX RAPIDE : <https://www.motralec.com/demandeContact>

Electronic voltage controllers www.motralec.com / service-commercial@motralec.com / 01.39.97.65.10

Electronic voltage controllers

1~ Acontrol, PID controller for e.g. differential pressure, air velocity



These versions are ideal especially suitable for the differential pressure control in refrigeration technology (control of roof fans, central ventilation systems) or for air velocity control (constant airflow in clean rooms).
The integrated voltage supply +24 V, max. 65 mA, is designed to connect differential pressure or air velocity sensors.

Input for sensors or speed settings through

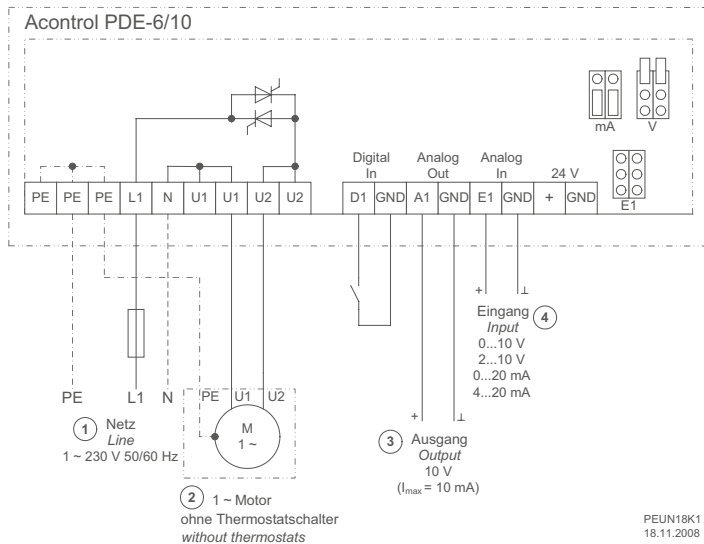
ΔPa Connecting differential pressure sensors (air conditioning), e.g. type MPG.. sensors, measuring range 0...6000 Pa, acquisition of volume flows up to 65000 m³/h

m / s Connecting air velocity sensors, e.g. type MAL.. sensors, measuring range 0...1 m/s, 0...10 m/s

Acontrol, PID controller for, e.g., differential pressure, air velocity 1~ 230V 50/60Hz

Type	Article no.	Rated current A	Rated temperature °C	Max. line fuse A	Max. heat dissipation W	Maximum ambient temperature °C	Protection class	Weight kg	Dimensions (W x H x D) mm
PDE-6	303623	6	40	10	15	55	IP54	0.60	100 x 190 x 75
PDE-10	303624	10	40	16	25	55		0.80	100 x 190 x 75

Connection diagram



- ① Line
- ② 1~ Motor without thermostats
- ③ Output
- ④ Input

Besoin d'un prix ou d'un conseil technique ?

Controllers Ziehl Abegg PDE



4,7/5 . +600 avis Google

- Devis rapide et conseil technique par nos spécialistes
- Plus de 200 000 références et 30 marques distribuées
- Vente, réparation, bobinage et SAV en atelier
- Livraison partout en France, accompagnement avant et après-vente

Voir la gamme Ziehl Abegg sur notre site :

www.motralec.com/.../ziehl-abegg

DEMANDER UN PRIX >