

★★★★★ 4,7/5 sur +600 avis Google . Depuis 1976 . 3 agences : Herblay (95), Sèvres (92), Étréchy (91) . www.motralec.com

Fiche produit Motralec Ziehl Abegg Main Switch For EC Fans - fiche technique | Motralec

■ DEMANDE DE PRIX RAPIDE : <https://www.motralec.com/demandeContact>

System components www.motralec.com / service-commercial@motralec.com Control technology Main catalogue www.motralec.com / 01.39.97.65.10

Main switch for EC-fans

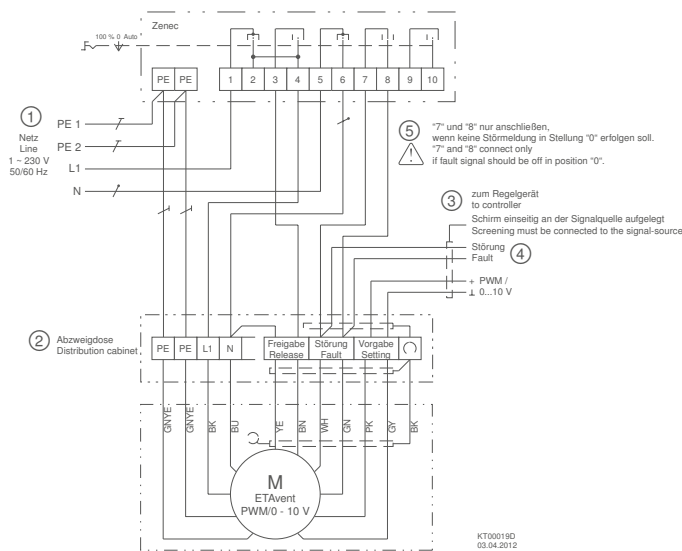
1~ / 3~ Zenec with bypass function



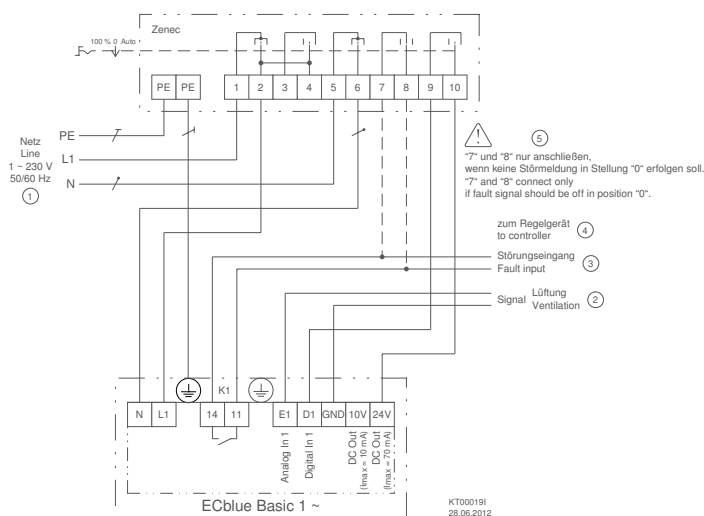
Zenec main switch for 1~ / 3~ EC fans from the ETAvent and ECblue series with 100% function.

EC fans are controlled via an external control signal, e.g. 0 – 10 V. If the control signal drops due to a technical defect, the Zenec can be used to manually switch the connected EC fan to 100 %. To do this, the EC fan must have the control possibility for the 100 % function. ETAvent fans and ECblue for agriculture normally have this function. In livestock farming in particular, this function is very important to ensure ventilation in the animal housing. In addition, the Zenec can suppress the fault indication issued by an external device when the Zenec is switched to the "0" position.

Connection diagram



- ① Line 1~ 230 V 50/60 Hz
- ② Distribution cabinet
- ③ To controller
- Screening must be connected to the signal source
- ④ Fault
- ⑤ [7] and [8] connect only if fault indication should be off in position 0



- ① Line 1~ 230 V 50/60 Hz
- ② Signal ventilation
- ③ Fault input
- ④ To controller
- ⑤ [7] and [8] connect only if fault indication should be off in position 0

Version

For combination with 1~ and 3~ EC fans that support the control possibility for the 100 % function: 1~ ETAvant and 1~/3~ ECblue for agriculture.

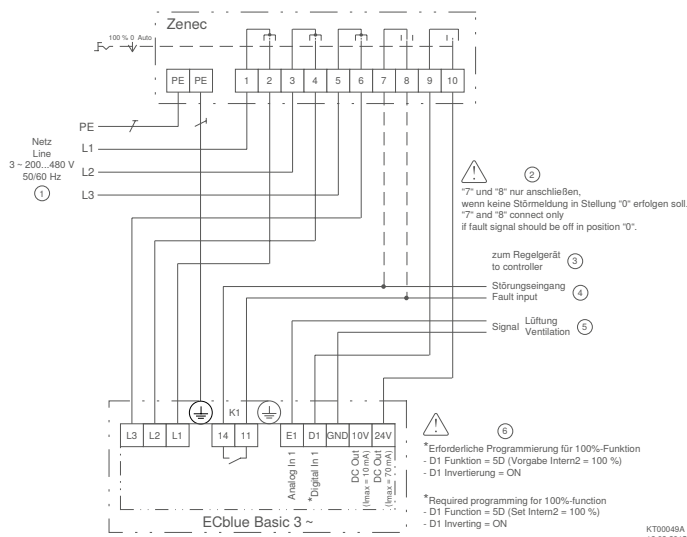
Switch positions

100 %: Full speed of EC fan

0: Fan switched off. The switch can be locked in this position with a padlock

Auto: Standard operation via external setting signal

| Main switches | | | | | | | | |
|---------------|-------------|---------------|----------------|-----------------------------|-----------------------------|------------------|--------|------------------------|
| 1~/3~ | | | | | | | | |
| Type | Article no. | Rated current | Max. line fuse | Minimum ambient temperature | Maximum ambient temperature | Protection class | Weight | Dimensions (W x H x D) |
| | | A | A | °C | °C | | kg | mm |
| Zenec | 349068 | 20 | 25 | -25 | 60 | IP65 | 0.24 | 90.5 x 90.5 x 107 |



- ① Line 3~ 200...480 V 50/60 Hz
- ② [7] and [8] connect only if fault indication should be off in position 0
- ③ To controller
- ④ Fault input
- ⑤ Signal ventilation
- ⑥ Required programming for 100%-function
 - D1 Function = 5D (Set Intern2 = 100 %)
 - D1 Inverting = ON

ziehl-abegg.com

Fiche produit Motralec Ziehl Abegg Main Switch For EC Fans - fiche technique | Motralec

■ **DEMANDE DE PRIX RAPIDE : <https://www.motralec.com/demandeContact>**

Besoin d'un prix ou d'un conseil technique ?

Ventilateur Ziehl Abegg MAIN SWITCH FOR EC FANS



4,7/5 . +600 avis Google

- Devis rapide et conseil technique par nos spécialistes
- Plus de 200 000 références et 30 marques distribuées
- Vente, réparation, bobinage et SAV en atelier
- Livraison partout en France, accompagnement avant et après-vente

Voir la gamme Ziehl Abegg sur notre site :

www.motralec.com/.../ziehl-abegg

DEMANDER UN PRIX >