

Fiche produit Motralec Ziehl Abegg Maxventowlet DN45 DN50 - fiche technique | Motralec

■ **DEMANDE DE PRIX RAPIDE** : <https://www.motralec.com/demandeContact>

MAXventowlet, AC-Technology
Size 450/500

Addendum fans for transformer cooling
02/2020

MAXventowlet

for three phase alternating current, 4 pole

DN45/DN50



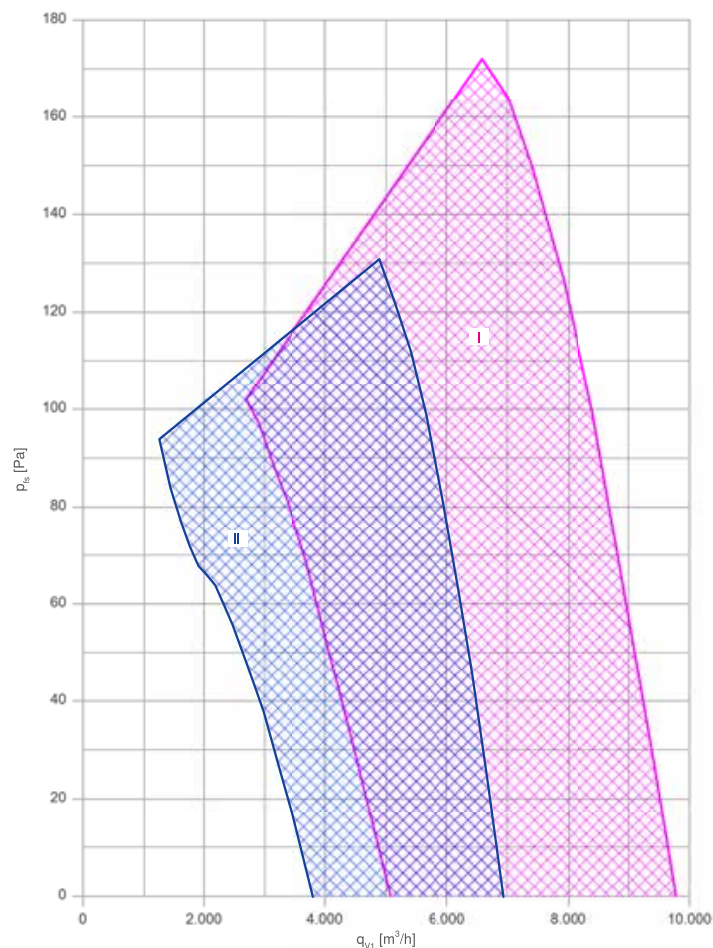
Description 50 Hz

Motor technology: AC
Rated voltage U_N : 3~ 400 V
Rated frequency f_N : 50 Hz
Min. permitted ambient temperature $t_{amb(min)}$: -20 °C
Max. permitted ambient temperature $t_{amb(max)}$: 50 °C
Degree of protection: IP55

Description 60 Hz

Motor technology: AC
Rated voltage U_N : 3~ 460 V
Rated frequency f_N : 60 Hz
Min. permitted ambient temperature $t_{amb(min)}$: -20 °C
Max. permitted ambient temperature $t_{amb(max)}$: 50 °C
Degree of protection: IP55

Characteristic curves 50Hz



The calculated characteristic diagram shows just a part of the possible operating ranges. For a detailed configuration of your project please contact ZIEHL-ABEGG.

Technical data

Characteristic diagram	Type	Blade setting angle* min. - max. degree	Motor size* min. - max.	Number of blades
I	DN50_-4_S	14 - 34	63 ... 90	3; 6; 9
II	DN45_-4_S	14 - 34	56 ... 80	3; 6; 9

*The smallest and the largest motor, as well as the smallest and the largest blade angle are shown.

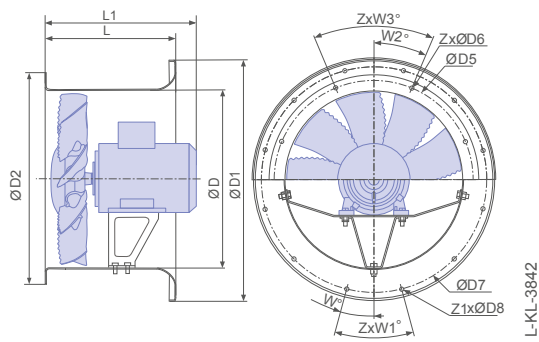
Other versions on request.

Characteristic curves 60Hz



The calculated characteristic diagram shows just a part of the possible operating ranges. For a detailed configuration of your project please contact ZIEHL-ABEGG.

Dimensions mm



Type	L	L1*	ØD	ØD1	ØD2	ØD5	ZxØD6	ØD7	Z1xØD8	W°	ZxW1°	W2°	ZxW3°
	mm	mm	mm	mm	mm	mm	mm	mm	mm				
DN50_4_S	370	433	500	655	590	562	12x12	620	12x12	15°	12x30°	15°	12x30°
DN45_4_S	370	370	450	595	530	500	8x12	560	12x12	15°	12x30°	22,5°	8x45°

*Motor size depends on blade setting angle, number of blades and number of poles in dependence of motor manufactures.

www.motralec.com / service-commercial@motralec.com / 01.39.97.65.10

Fiche produit Motralec Ziehl Abegg Maxventowlet DN45 DN50 - fiche technique | Motralec

■ **DEMANDE DE PRIX RAPIDE** : <https://www.motralec.com/demandeContact>

Besoin d'un prix ou d'un conseil technique ?

Moteur Ziehl Abegg MAXVENTOWLET DN45 DN50



4,7/5 . +600 avis Google

- Devis rapide et conseil technique par nos spécialistes
- Plus de 200 000 références et 30 marques distribuées
- Vente, réparation, bobinage et SAV en atelier
- Livraison partout en France, accompagnement avant et après-vente

Voir la gamme Ziehl Abegg sur notre site :

www.motralec.com/.../ziehl-abegg

DEMANDER UN PRIX >