

★★★★★ 4,7/5 sur +600 avis Google . Depuis 1976 . 3 agences : Herblay (95), Sèvres (92), Étréchy (91) . www.motralec.com

Fiche produit Motralec Ziehl Abegg Maxventowlet DN31 DN35 - fiche technique | Motralec

■ **DEMANDE DE PRIX RAPIDE : <https://www.motralec.com/demandeContact>**

MAXventowlet AC-Technology www.motralec.com / service-commercial@motralec.com / 01.39.97.65.10 Addendum fans for railroad engineering

MAXventowlet

for three phase alternating-current, 2- and 4-pole

DN31/DN35



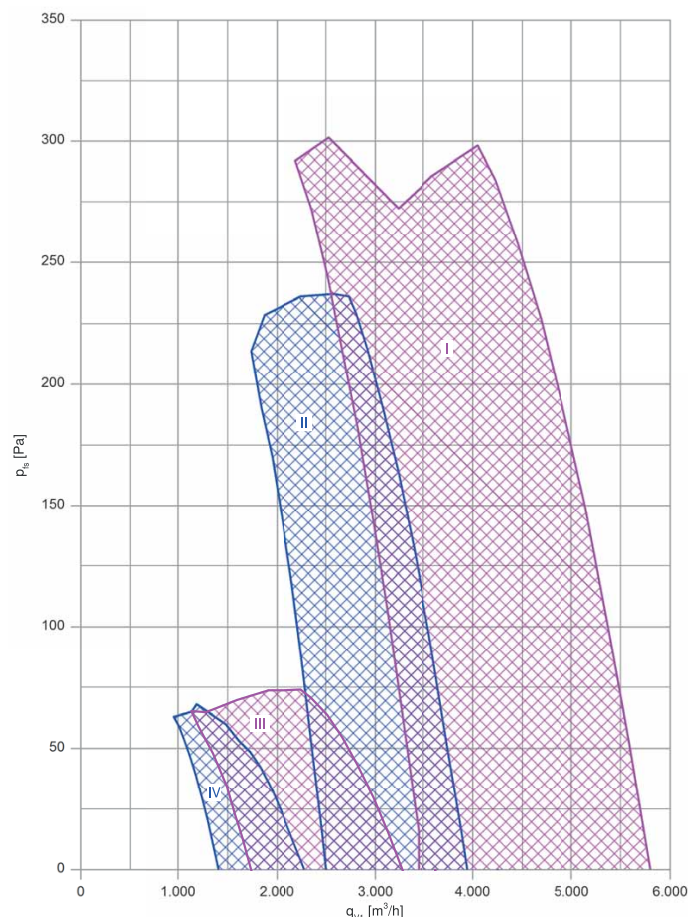
Description 50 Hz

Motor technology: AC
 Rated voltage U_N : 3~ 400 V
 Rated frequency f_N : 50 Hz
 Min. permitted ambient temperature $t_{amb(min)}$: -30 °C
 Max. permitted ambient temperature $t_{amb(max)}$: 60 °C
 Degree of protection: IP55

Description 60 Hz

Motor technology: AC
 Rated voltage U_N : 3~ 460 V
 Rated frequency f_N : 60 Hz
 Min. permitted ambient temperature $t_{amb(min)}$: -30 °C
 Max. permitted ambient temperature $t_{amb(max)}$: 60 °C
 Degree of protection: IP55

Characteristic curves 50Hz



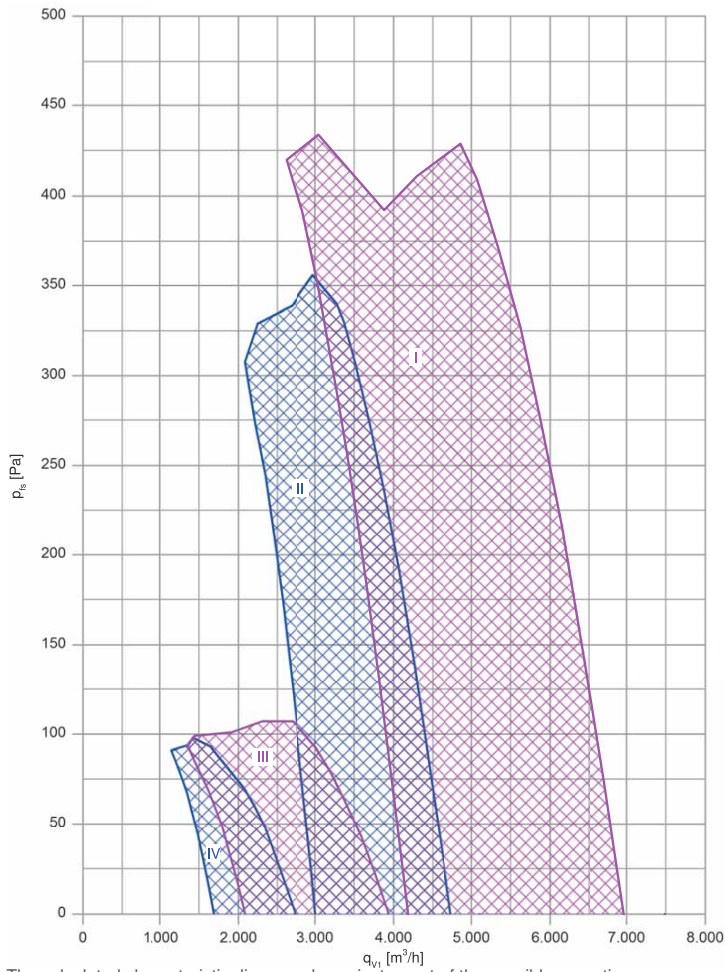
The calculated characteristic diagram shows just a part of the possible operating ranges. For a detailed configuration of your project please contact ZIEHL-ABEGG.

Technical data

Characteristic diagram	Type	Blade setting angle* min. - max. degree	Motor size* min. - max.	Number of blades
I	DN35_-2_K	11 - 29	71 ... 90	7
II	DN31_-2_K	11 - 19	71 ... 80	7
III	DN35_-4_K	11 - 34	63 ... 71	7
IV	DN31_-4_K	14 - 34	63	7

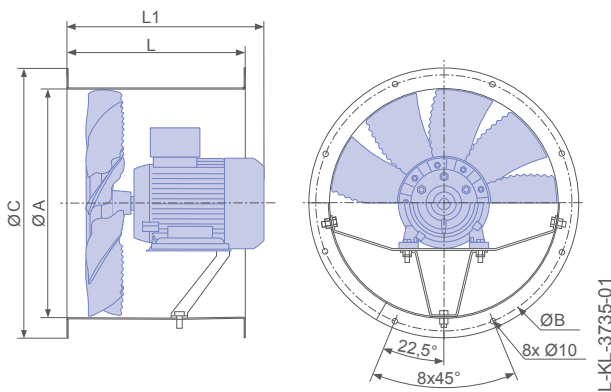
*The smallest and the largest motor, as well as the smallest and the largest blade angle are shown.

Characteristic curves 60Hz



The calculated characteristic diagram shows just a part of the possible operating ranges. For a detailed configuration of your project please contact ZIEHL-ABEGG.

Dimensions mm



Type	Ø A mm	Ø B mm	Ø C mm	L mm	L1* mm
DN35_-2_K	355	395	425	260	345
DN31_-2_K	315	355	372	260	303
DN35_-4_K	355	395	425	260	257
DN31_-4_K	315	355	372	260	249

*Motor size depends on blade setting angle, number of blades and number of poles.

MAXventowlet

for three phase alternating-current, 2- and 4-pole

DN40/DN45



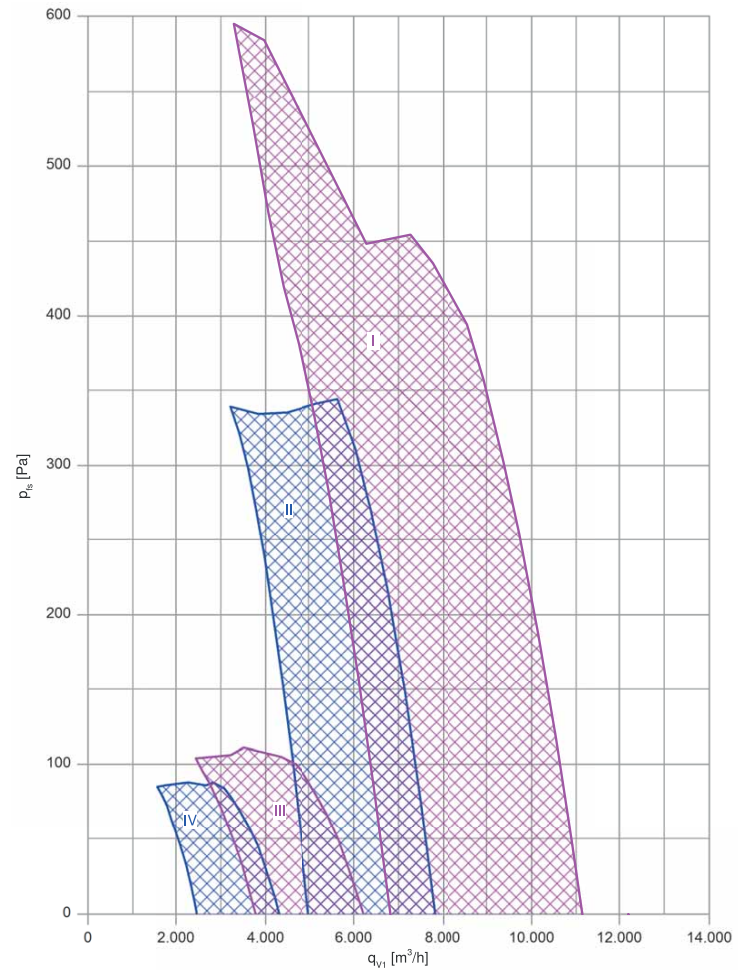
Description 50 Hz

Motor technology: AC
 Rated voltage U_N : 3~ 400 V
 Rated frequency f_N : 50 Hz
 Min. permitted ambient temperature $t_{amb(min)}$: -30 °C
 Max. permitted ambient temperature $t_{amb(max)}$: 60 °C
 Degree of protection: IP55
 Number of Blades: 9

Description 60 Hz

Motor technology: AC
 Rated voltage U_N : 3~ 460 V
 Rated frequency f_N : 60 Hz
 Min. permitted ambient temperature $t_{amb(min)}$: -30 °C
 Max. permitted ambient temperature $t_{amb(max)}$: 60 °C
 Degree of protection: IP55
 Number of blades: 9

Characteristic curves 50Hz



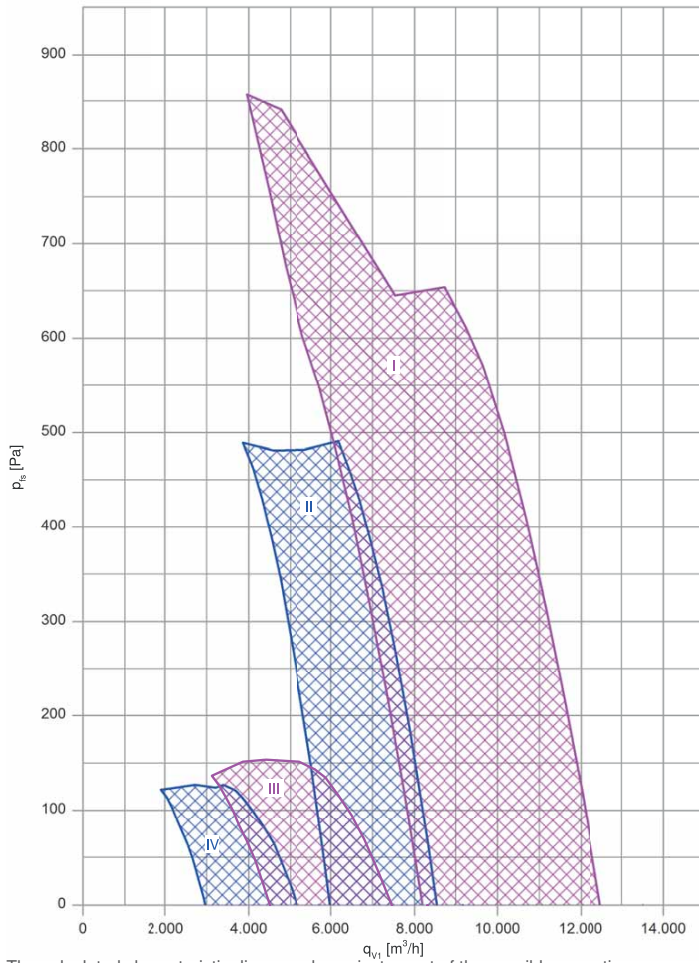
The calculated characteristic diagram shows just a part of the possible operating ranges. For a detailed configuration of your project please contact ZIEHL-ABEGG.

Technical data

Characteristic diagram	Type	Blade setting angle* min. - max. degree	Motor size* min. - max.	Number of blades
I	DN45_-2_K	11 - 29	90 ... 112	3; 6; 9
II	DN40_-2_K	11 - 29	80 ... 100	3; 6; 9
III	DN45_-4_K	14 - 34	63 ... 90	3; 6; 9
IV	DN40_-4_K	11 - 34	63 ... 80	3; 6; 9

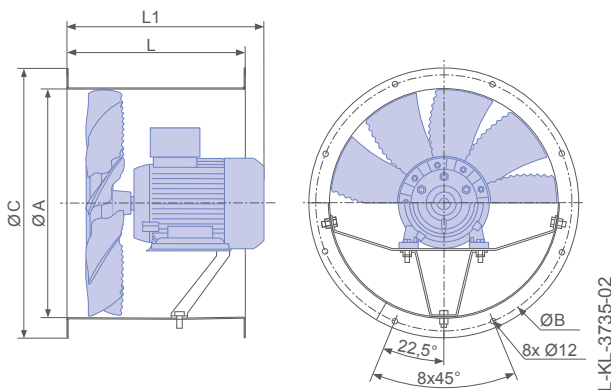
*The smallest and the largest motor, as well as the smallest and the largest blade angle are shown.

Characteristic curves 60Hz



The calculated characteristic diagram shows just a part of the possible operating ranges. For a detailed configuration of your project please contact ZIEHL-ABEGG.

Dimensions mm



Type	Ø A mm	Ø B mm	Ø C mm	L** mm	L1* max. mm
DN45_-2_K	450	500	530	320	410
DN40_-2_K	400	450	470	320	398
DN45_-4_K	450	500	530	260	370
DN40_-4_K	400	450	470	260	329

* Motor size depends on blade setting angle, number of blades and number of poles.

** Length of casing depends on motor size.

MAXventowlet

for three phase alternating-current, 2- and 4-pole

DN50/DN56



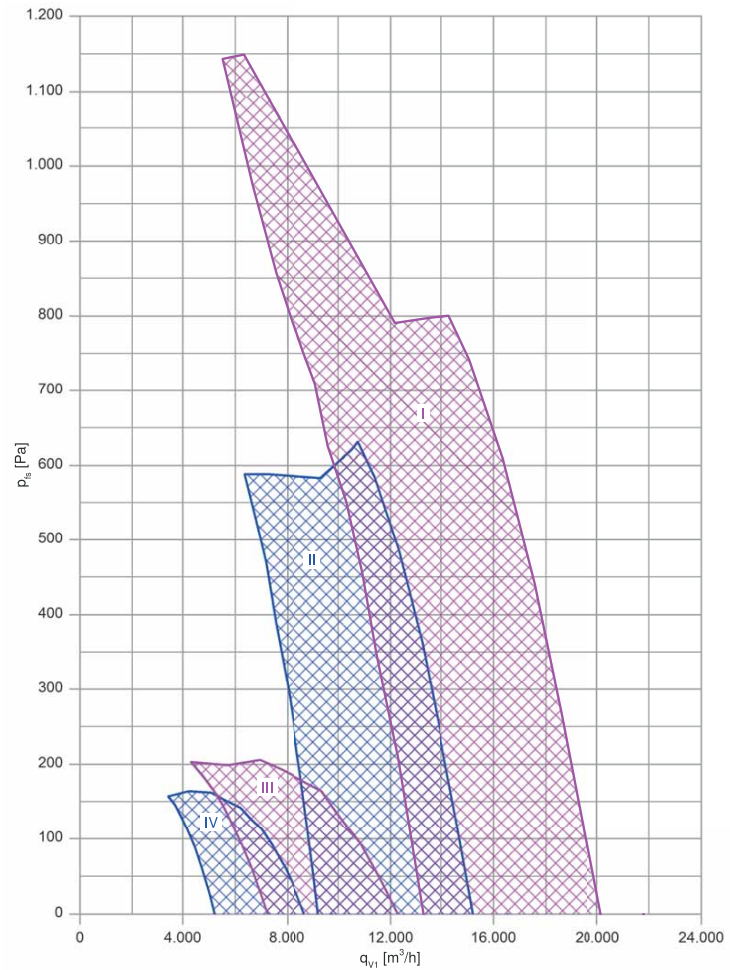
Description 50 Hz

Motor technology: AC
Rated voltage U_N : 3~ 400 V
Rated frequency f_N : 50 Hz
Min. permitted ambient temperature $t_{amb(min)}$: -30 °C
Max. permitted ambient temperature $t_{amb(max)}$: 60 °C
Degree of protection: IP55
Number of Blades: 9

Description 60 Hz

Motor technology: AC
Rated voltage U_N : 3~ 460 V
Rated frequency f_N : 60 Hz
Min. permitted ambient temperature $t_{amb(min)}$: -30 °C
Max. permitted ambient temperature $t_{amb(max)}$: 60 °C
Degree of protection: IP55
Number of blades: 9

Characteristic curves 50Hz



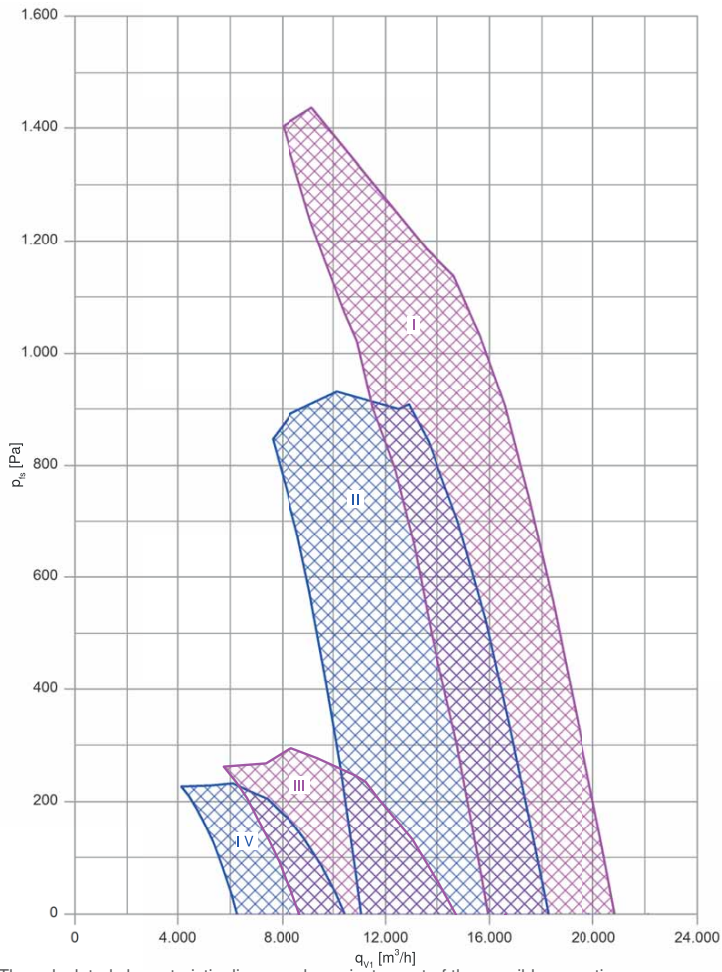
The calculated characteristic diagram shows just a part of the possible operating ranges. For a detailed configuration of your project please contact ZIEHL-ABEGG.

Technical data

Characteristic diagram	Type	Blade setting angle* min. - max. degree	Motor size* min. - max.	Number of blades
I	DN50_-2_K	11 - 29	90 ... 132	3; 6; 9
II	DN56_-2_K	11 - 24	100 ... 132	3; 6; 9
III	DN50_-4_K	14 - 34	71 ... 100	3; 6; 9
IV	DN56_-4_K	14 - 34	80 ... 100	3; 6; 9

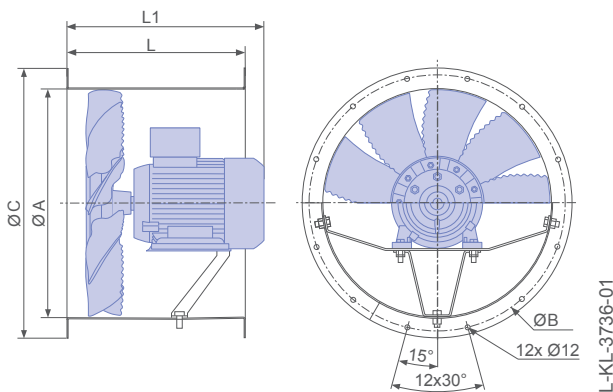
*The smallest and the largest motor, as well as the smallest and the largest blade angle are shown.

Characteristic curves 60Hz



The calculated characteristic diagram shows just a part of the possible operating ranges. For a detailed configuration of your project please contact ZIEHL-ABEGG.

Dimensions mm



Type	Ø A mm	Ø B mm	Ø C mm	L** mm	L1*max. mm
DN56_-2_K	560	620	650	360	511
DN50_-2_K	500	560	590	360	511
DN56_-4_K	560	620	650	360	404
DN50_-4_K	500	560	590	360	404

* Motor size depends on blade setting angle, number of blades and number of poles.

** Length of casing depends on motor size.

MAXventowlet

for three phase alternating-current, 2- and 4-pole

DN63



Description 50 Hz

Motor technology: AC
 Rated voltage U_N : 3~ 400 V
 Rated frequency f_N : 50 Hz
 Min. permitted ambient temperature $t_{amb(min)}$: -30 °C
 Max. permitted ambient temperature $t_{amb(max)}$: 60 °C
 Degree of protection: IP55
 Number of Blades: 9

Description 60 Hz

Motor technology: AC
 Rated voltage U_N : 3~ 460 V
 Rated frequency f_N : 60 Hz
 Min. permitted ambient temperature $t_{amb(min)}$: -30 °C
 Max. permitted ambient temperature $t_{amb(max)}$: 60 °C
 Degree of protection: IP55
 Number of blades: 9

Characteristic curves 50Hz



The calculated characteristic diagram shows just a part of the possible operating ranges. For a detailed configuration of your project please contact ZIEHL-ABEGG.

Technical data

Characteristic diagram	Type	Blade setting angle* min. - max. degree	Motor size* min. - max.	Number of blades
I	DN63_-2_K	11 - 29	132 ... 160	3; 6; 9
II	DN63_-4_K	14 - 34	100 ... 132	3; 6; 9

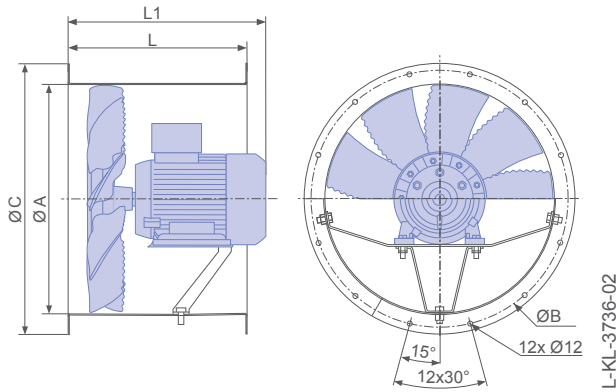
*The smallest and the largest motor, as well as the smallest and the largest blade angle are shown.

Characteristic curves 60Hz



The calculated characteristic diagram shows just a part of the possible operating ranges. For a detailed configuration of your project please contact ZIEHL-ABEGG.

Dimensions mm



Type	$\varnothing A$ mm	$\varnothing B$ mm	$\varnothing C$ mm	L^{**} mm	$L1^{*max.}$ mm
DN63_-2_K	630	690	720	410	600
DN63_-4_K	630	690	720	335	470

* Motor size depends on blade setting angle, number of blades and number of poles.

** Length of casing depends on motor size.

ziehl-abegg.com



Fiche produit Motralec Ziehl Abegg Maxventowlet DN31 DN35 - fiche technique | Motralec

■ **DEMANDE DE PRIX RAPIDE** : <https://www.motralec.com/demandeContact>

Besoin d'un prix ou d'un conseil technique ?

Ventilateur Ziehl Abegg MAXVENTOWLET DN31 DN35



4,7/5 . +600 avis Google

- Devis rapide et conseil technique par nos spécialistes
- Plus de 200 000 références et 30 marques distribuées
- Vente, réparation, bobinage et SAV en atelier
- Livraison partout en France, accompagnement avant et après-vente

Voir la gamme Ziehl Abegg sur notre site :

www.motralec.com/.../ziehl-abegg

DEMANDER UN PRIX >