

Fiche produit Motralec Ziehl Abegg Maxventowlet DN14V - fiche technique | Motralec

■ **DEMANDE DE PRIX RAPIDE** : <https://www.motralec.com/demandeContact>

MAXventowlet, AC-Technology
Size 1400

Addendum fans for transformer cooling
02/2020

MAXventowlet

for three phase alternating current, 6- and 8-pole

DN14V



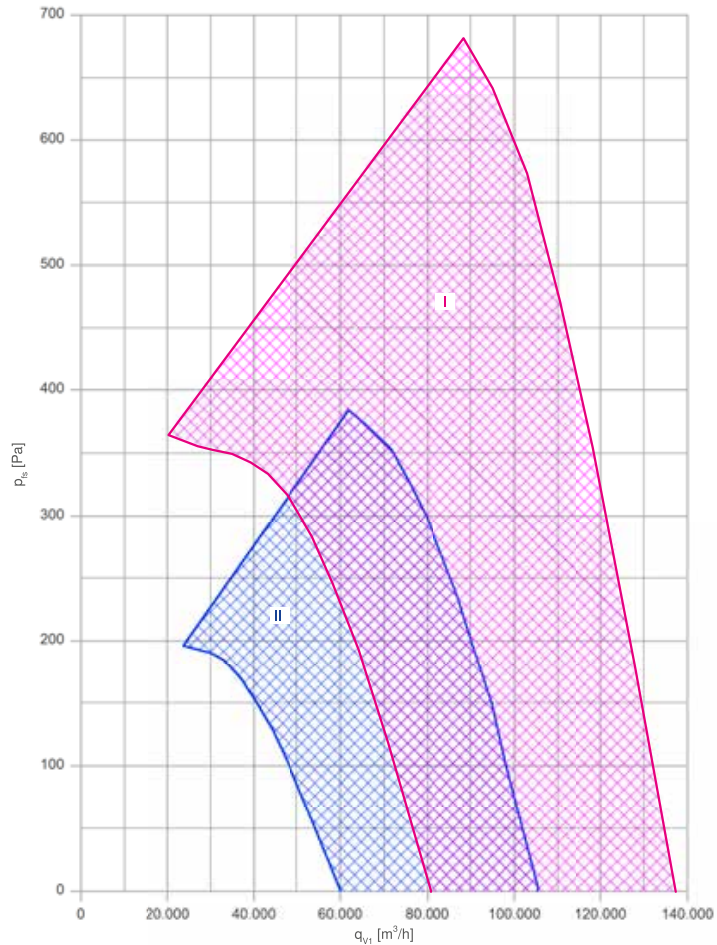
Description 50 Hz

Motor technology: AC
Rated voltage U_N : 3~ 400 V
Rated frequency f_N : 50 Hz
Min. permitted ambient temperature $t_{amb(min)}$: -20 °C
Max. permitted ambient temperature $t_{amb(max)}$: 50 °C
Degree of protection: IP55

Description 60 Hz

Motor technology: AC
Rated voltage U_N : 3~ 460 V
Rated frequency f_N : 60 Hz
Min. permitted ambient temperature $t_{amb(min)}$: -20 °C
Max. permitted ambient temperature $t_{amb(max)}$: 50 °C
Degree of protection: IP55

Characteristic curves 50Hz



The calculated characteristic diagram shows just a part of the possible operating ranges.
For a detailed configuration of your project please contact ZIEHL-ABEGG.

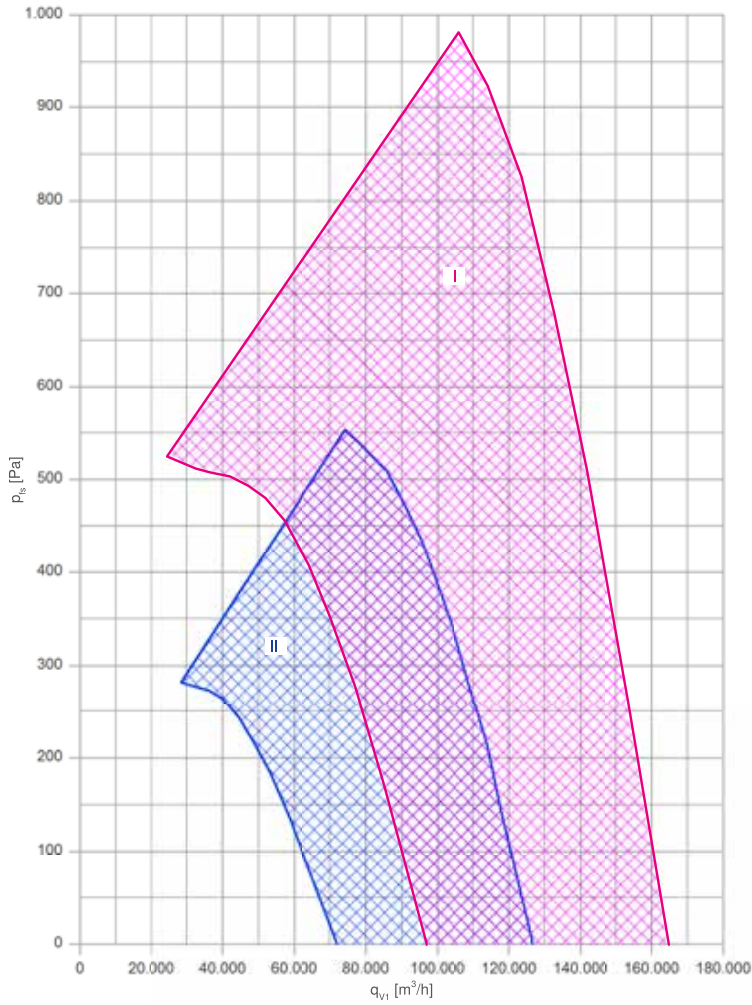
Technical data

| Characteristic diagram | Type | Blade setting angle* min. - max. degree | Motor size* min. - max. | Number of blades |
|------------------------|-----------|--|----------------------------|------------------|
| I | DN14_-6_S | 11 - 29 | 160 ... 250 | 3; 6; 9 |
| II | DN14_-8_S | 11 - 29 | 132 ... 225 | 3; 6; 9 |

*The smallest and the largest motor, as well as the smallest and the largest blade angle are shown.

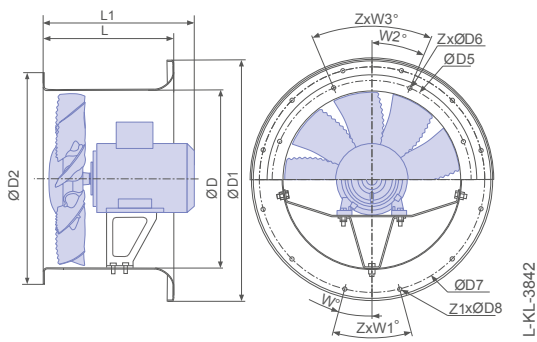
Other versions on request.

Characteristic curves 60Hz



The calculated characteristic diagram shows just a part of the possible operating ranges. For a detailed configuration of your project please contact ZIEHL-ABEGG.

Dimensions mm



| Type | L mm | L1* mm | ØD mm | ØD1 mm | ØD2 mm | ØD5 mm | ZxØD6 mm | ØD7 mm | Z1xØD8 mm | W° | ZxW1° | W2° | ZxW3° |
|-----------|------------|-----------|----------|-----------|-----------|-----------|-------------|-----------|--------------|------|--------|-----|--------|
| DN14_-6_S | on request | | | | | | | | | | | | |
| DN14_-8_S | 750 | 989 | 1400 | 1721 | 1500 | 1470 | 20x15 | 1680 | 20x19 | 7,5° | 24x15° | 9° | 20x18° |

*Motor size depends on blade setting angle, number of blades and number of poles in dependence of motor manufactures.

www.motralec.com / service-commercial@motralec.com / 01.39.97.65.10 105

Fiche produit Motralec Ziehl Abegg Maxventowlet DN14V - fiche technique | Motralec

■ **DEMANDE DE PRIX RAPIDE** : <https://www.motralec.com/demandeContact>

Besoin d'un prix ou d'un conseil technique ?

Moteur Ziehl Abegg MAXVENTOWLET DN14V



4,7/5 . +600 avis Google

- Devis rapide et conseil technique par nos spécialistes
- Plus de 200 000 références et 30 marques distribuées
- Vente, réparation, bobinage et SAV en atelier
- Livraison partout en France, accompagnement avant et après-vente

Voir la gamme Ziehl Abegg sur notre site :

www.motralec.com/.../ziehl-abegg

DEMANDER UN PRIX >