

Fiche produit Motralec Ziehl Abegg Maxventowlet DN10V - fiche technique | Motralec

■ **DEMANDE DE PRIX RAPIDE** : <https://www.motralec.com/demandeContact>

MAXventowlet, AC-Technology
Size 1000

Addendum fans for transformer cooling
02/2020

MAXventowlet

for three phase alternating current, 4- and 6-pole

DN10V



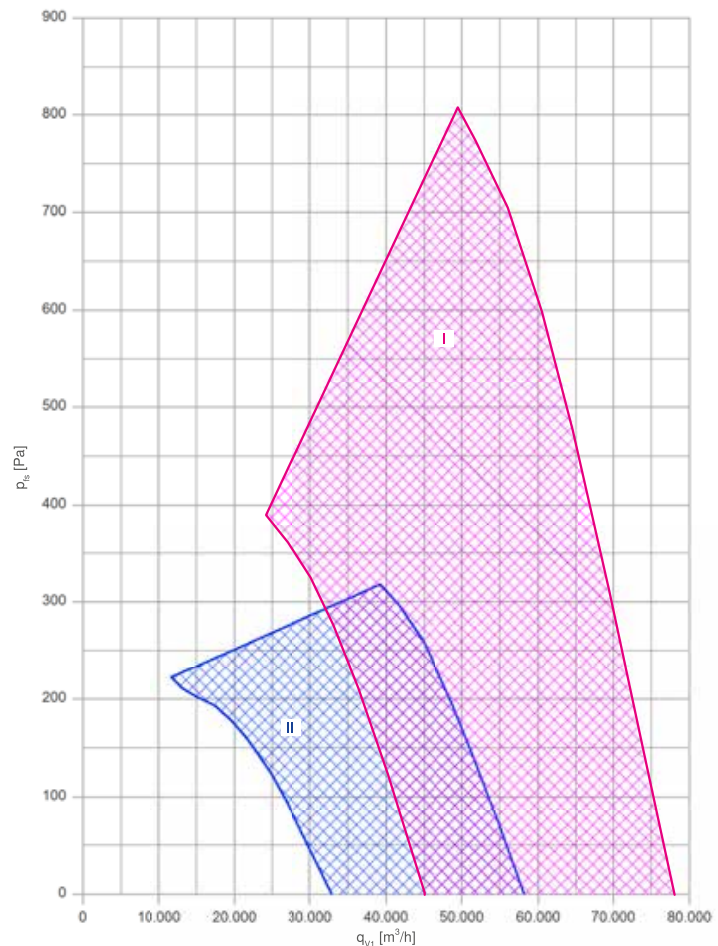
Description 50 Hz

Motor technology: AC
Rated voltage U_N : 3~ 400 V
Rated frequency f_N : 50 Hz
Min. permitted ambient temperature $t_{amb(min)}$: -20 °C
Max. permitted ambient temperature $t_{amb(max)}$: 50 °C
Degree of protection: IP55

Description 60 Hz

Motor technology: AC
Rated voltage U_N : 3~ 460 V
Rated frequency f_N : 60 Hz
Min. permitted ambient temperature $t_{amb(min)}$: -20 °C
Max. permitted ambient temperature $t_{amb(max)}$: 50 °C
Degree of protection: IP55

Characteristic curves 50Hz



The calculated characteristic diagram shows just a part of the possible operating ranges.
For a detailed configuration of your project please contact ZIEHL-ABEGG.

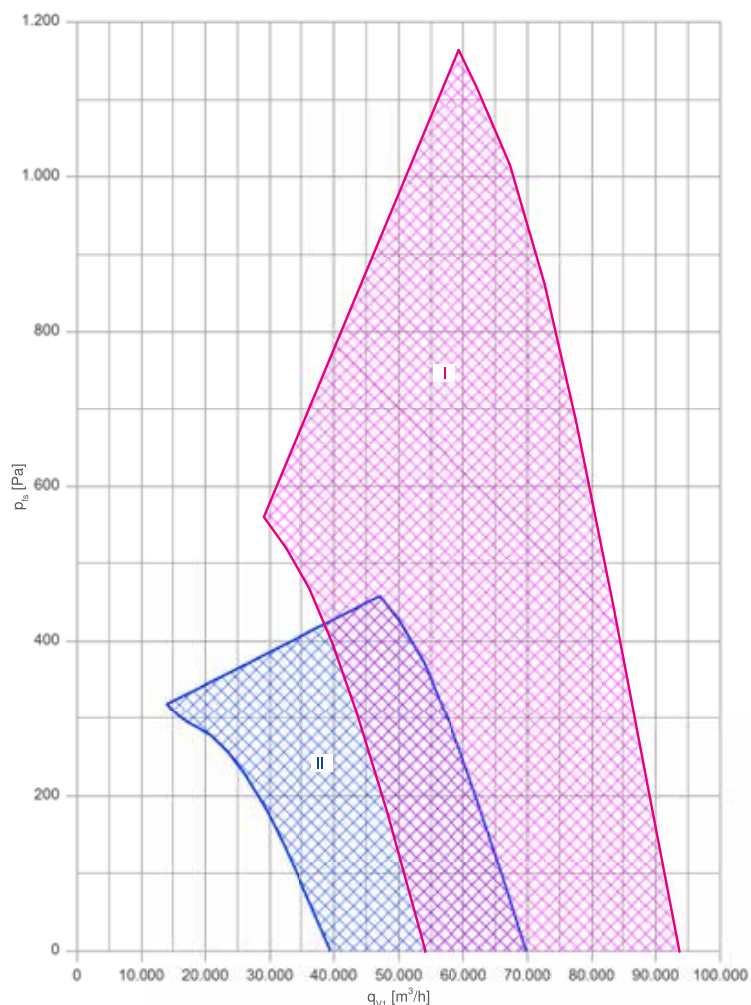
Technical data

Characteristic diagram	Type	Blade setting angle* min. - max. degree	Motor size* min. - max.	Number of blades
I	DN10_-4_S	11 - 29	112 ... 225	3; 6; 9
II	DN10_-6_S	14 - 34	100 ... 180	3; 6; 9

*The smallest and the largest motor, as well as the smallest and the largest blade angle are shown.

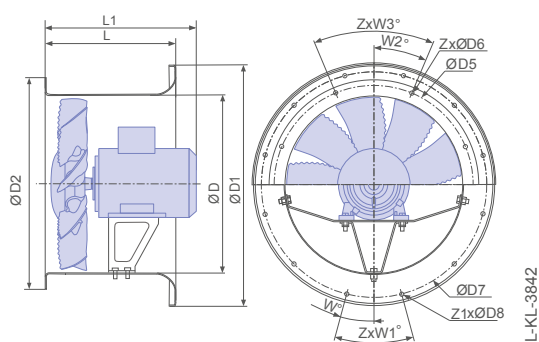
Other versions on request.

Characteristic curves 60Hz



The calculated characteristic diagram shows just a part of the possible operating ranges. For a detailed configuration of your project please contact ZIEHL-ABEGG.

Dimensions mm



Type	L mm	L1* mm	$\varnothing D$ mm	$\varnothing D1$ mm	$\varnothing D2$ mm	$\varnothing D5$ mm	$Z \times \varnothing D6$ mm	$\varnothing D7$ mm	$Z1 \times \varnothing D8$ mm	W°	$Z \times W1^\circ$	$W2^\circ$	$Z \times W3^\circ$
DN10_-4_S	on request												
DN10_-6_S	625	851	1000	1227	1100	1070	16x15	1190	20x15	9°	20x18°	11,25°	16x22,5°

*Motor size depends on blade setting angle, number of blades and number of poles in dependence of motor manufactures.

www.motralec.com / service-commercial@motralec.com / 01.39.97.65.10

Fiche produit Motralec Ziehl Abegg Maxventowlet DN10V - fiche technique | Motralec

■ **DEMANDE DE PRIX RAPIDE** : <https://www.motralec.com/demandeContact>

Besoin d'un prix ou d'un conseil technique ?

Moteur Ziehl Abegg MAXVENTOWLET DN10V



4,7/5 . +600 avis Google

- Devis rapide et conseil technique par nos spécialistes
- Plus de 200 000 références et 30 marques distribuées
- Vente, réparation, bobinage et SAV en atelier
- Livraison partout en France, accompagnement avant et après-vente

Voir la gamme Ziehl Abegg sur notre site :

www.motralec.com/.../ziehl-abegg

DEMANDER UN PRIX >