

Fiche produit Motralec Ziehl Abegg Icontrol Basic Without Display - fiche technique | Motralec

■ **DEMANDE DE PRIX RAPIDE** : <https://www.motralec.com/demandeContact>

Control technology www.motralec.com / service-commercial@motralec.com / 01.39.97.65.10 Centrifugal fans main catalogue with IEC standard motor

Frequency inverters

3~ Icontrol Basic, modularly extendable speed controllers



The Icontrol frequency inverters are intended primarily for requirement-based and energy-saving speed control of internal rotor motors (IEC standard motors).

The special feature of the Icontrol Basic without display is the functional extendibility by pluggable add-on modules. This enables integration into different BUS networks. Functional expansion as a control unit is also possible with add-on modules.

In operation as a speed controller, the speed setting can be made by a master control by 0-10 V, e.g. by a ZIEHL-ABEGG control module from the UNIcon product series. The speed can also be set manually by connecting a potentiometer. Two-stage operation with adjustable speeds is possible optionally.

The 3~ Icontrol Basic are universally suitable for many different applications: E.g. air conditioning technology, general ventilation tasks, combination with medium pressure axial fans MAXvent.

Input for sensors or speed settings through

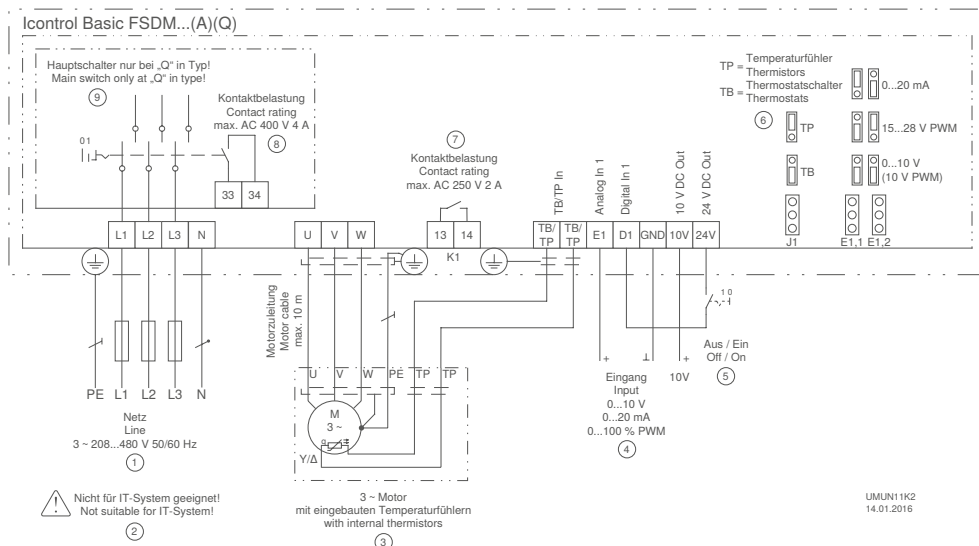


Setting of the desired speed through device or by external default, e.g. 0...10 V



Add-on modules for functional extension

Connection diagram



Interference emission according to EN 61000-6-3 (domestic)
Interference immunity according to EN 61000-6-2 (industrial)

Add-on modules for functional extension:

Equipment/properties

1 analog input for speed setting:

Analog input E1: Setting by jumper to desired setting signal: 0-10 V, 0-20 mA or PWM

1 digital input:

D1 - 24 V: Enable function On/Off

1 potential-free fault indication contact:

The contact drops out in case of a fault. Max. load 250 V, 2 A.

Integrated motor protection function:

Connection possibility for thermostats "TB" or thermistors "TP".

Article No.	Type
349045	AM-MODBUS
349077	AM-MODBUS-WB
349046	AM-PREMIUM
349065	AM-AMPsignal
349071	AM-ETHERCAT
349064	AM-CAN-OPEN
349049	AM-LON
349063	AM-PROFIBUS
349072	AM-PROFINET
349084	AM-BACNET

Icontrol Basic without display											
3~ 208...480V 50/60Hz											
Type	Article no.	Rated voltage	Rated current	Rated temperature	Rated power	Max. line fuse	Max. heat dissipation	Maximum ambient temperature	Protection class	Weight	Dimensions (W x H x D)
		V	A	°C	kW	A	W	°C		kg	mm
FSDM2.6	308214	400	2.6	50	1.1	6	40	55	IP54	2.50	240x284x115
FSDM3.6	308215		3.6	40	1.5	6	55			2.60	240x284x115
FSDM5	308216		5	55	2.2	10	80			4.60	250x302x195.5
FSDM7	308217		7	50	3	10	105			4.70	250x302x195.5
FSDM8.5	308218		8.5	55	4	10	130			5.60	250x302x195.5
FSDM12	308264		12	55	5.5	16	175			5.70	250x302x195.5
FSDM17	308269		17	50	7.5	20	260			5.90	250x302x195.5
FSDM25	308322		25	40	11	35	480			12.30	280x355x239
FSDM32	308324		32	50	15	35	750			24.30	386x525x283
FSDM39	308326		39	55	18.5	50	900			26.10	386x525x283
FSDM46	308328		46	50	22	50	1050			26.10	386x525x283
FSDM62	308330		62	40	30	63	1250			26.10	386x525x283

Devices with a rated temperature below 55 °C can be used up to 55 °C with a reduction in performance
rated power = power rating of the internal rotor motor. The motor rated current is decisive for the assignment of the frequency inverter.

ziehl-abegg.com



237

Fiche produit Motralec Ziehl Abegg Icontrol Basic Without Display - fiche technique | Motralec

■ **DEMANDE DE PRIX RAPIDE** : <https://www.motralec.com/demandeContact>

Besoin d'un prix ou d'un conseil technique ?

Ventilateur Ziehl Abegg ICONTRONIC BASIC WITHOUT DISPLAY



4,7/5 . +600 avis Google

- Devis rapide et conseil technique par nos spécialistes
- Plus de 200 000 références et 30 marques distribuées
- Vente, réparation, bobinage et SAV en atelier
- Livraison partout en France, accompagnement avant et après-vente

Voir la gamme Ziehl Abegg sur notre site :

www.motralec.com/.../ziehl-abegg

DEMANDER UN PRIX >