

Fiche produit Motralec Ziehl Abegg Frequency Inverters FSDM - fiche technique | Motralec

■ **DEMANDE DE PRIX RAPIDE** : <https://www.motralec.com/demandeContact>

Frequency inverters www.motralec.com / service-commercial@motralec.com / 01.39.97.65.10

Frequency inverters

3~ Icontrol Basic, modularly extendable speed controllers



The Icontrol frequency inverters are intended preferably for requirement-based and energy saving speed control of internal rotor motors (IEC standard motors).

The special feature of the Icontrol Basic without display is the functional extendibility by pluggable add-on modules. This enables integration into different BUS networks. Functional extension as a controller is also possible with add-on modules.

In operation as a speed controller, the speed setting can be made by a master control by 0 – 10 V, e.g. by a ZIEHL-ABEGG control module of the UNIcon product series. The speed can also be set manually by connecting a potentiometer. Two-stage operation with adjustable speeds is also possible optionally.

The 3~ Icontrol Basic inverters are universally suitable for many different applications: E.g. air conditioning, general ventilation tasks, combination with medium pressure axial fans MAXvent.

Input for sensors or speed settings through

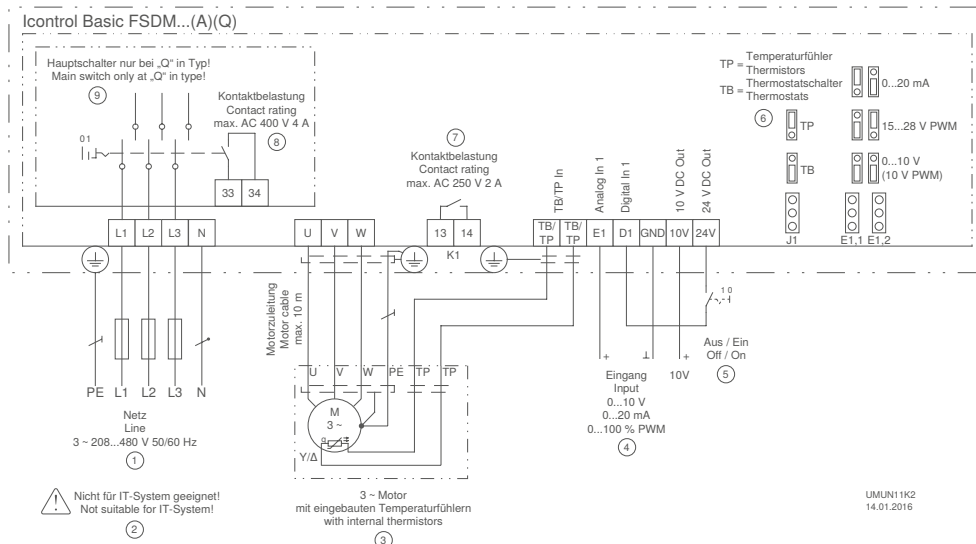


Setting of the desired speed through device or by external default, e.g. 0...10 V



Add-on modules for functional extension

Connection diagram



- ① Line
- ② Only suitable for IT system in special version!
- ③ 3~ motor with built-in thermostats
- ④ Input
- ⑤ Off / On
- ⑥ TP = thermistor
TB = thermostat
- ⑦ Contact load max. AC 250 V 2 A
- ⑧ Contact load max. AC 400 V 4 A
- ⑨ Main switch only in "Q" in type!

Interference emission according to EN 61000-6-3 (domestic)
Interference immunity according to EN 61000-6-2 (industrial)

Add-on modules for functional extension:

Equipment/properties

1 analog input for speed setting:

Analog input E1: Setting by jumper to desired setting signal: 0-10 V, 0-20 mA or PWM

1 digital input:

D1 - 24 V: Enable function On/Off

1 potential-free fault indication contact:

The contact drops out in case of a fault. Max. load 250 V, 2 A.

Integrated motor protection function:

Connection possibility for thermostats "TB" or thermistors "TP".

Article No.	Type
349045	AM-MODBUS
349050	AM-MODBUS-W
349077	AM-MODBUS-WB
349046	AM-PREMIUM
349051	AM-PREMIUM-W
349065	AM-AMPsignal
349071	AM-ETHERCAT
349064	AM-CAN-OPEN
349049	AM-LON
349063	AM-PROFIBUS
349072	AM-PROFINET
349084	AM-BACNET

Icontrol Basic without display											
3~ 208...480V 50/60Hz											
Type	Article no.	Rated voltage	Rated current	Rated temperature	Rated power	Max. line fuse	Max. heat dissipation	Maximum ambient temperature	Protection class	Weight	Dimensions (W x H x D)
		V	A	°C	kW	A	W	°C		kg	mm
FSDM2.6	308214	400	2.6	50	1.1	6	40	55	IP54	2.50	240 x 284 x 115
FSDM3.6	308215		3.6	40	1.5	6	55	55		2.60	240 x 284 x 115
FSDM5	308216		5	55	2.2	10	80	55		4.60	250 x 302 x 195.5
FSDM7	308217		7	50	3	10	105	55		4.70	250 x 302 x 195.5
FSDM8.5	308218		8.5	55	4	10	130	55		5.60	250 x 302 x 195.5
FSDM12	308264		12	55	5.5	16	175	55		5.70	250 x 302 x 195.5
FSDM17	308269		17	50	7.5	20	260	55		5.90	250 x 302 x 195.5
FSDM25	308322		25	40	11	35	480	55		12.30	280 x 355 x 239
FSDM32	308324		32	50	15	35	750	55		24.30	386 x 525 x 283
FSDM39	308326		39	55	18.5	50	900	55		26.10	386 x 525 x 283
FSDM46	308328		46	50	22	50	1050	55		26.10	386 x 525 x 283
FSDM62	308330		62	40	30	63	1250	55		26.10	386 x 525 x 283

Devices with a rated temperature below 55 °C can be used up to 55 °C with a reduction in performance
rated power = power rating of the internal rotor motor. The motor rated current is decisive for the assignment of the frequency inverter.



Besoin d'un prix ou d'un conseil technique ?

Ventilateur Ziehl Abegg FREQUENCY INVERTERS FSDM



4,7/5 . +600 avis Google

- Devis rapide et conseil technique par nos spécialistes
- Plus de 200 000 références et 30 marques distribuées
- Vente, réparation, bobinage et SAV en atelier
- Livraison partout en France, accompagnement avant et après-vente

Voir la gamme Ziehl Abegg sur notre site :

www.motralec.com/.../ziehl-abegg

DEMANDER UN PRIX >