

Fiche produit Motralec Ziehl Abegg FSDM M - fiche technique | Motralec

■ **DEMANDE DE PRIX RAPIDE** : <https://www.motralec.com/demandeContact>

Frequency inverters [www.motralec.com / service-commercial@motralec.com](http://www.motralec.com/service-commercial@motralec.com) / 01.39.97.65.10

Frequency inverters

3~ Fcontol Basic, modularly extendable speed controllers



The 3~ Fcontrol frequency inverters with integrated all-pole effective sine filter are available in the "Basic" version as speed controllers. The special feature of the Fcontrol Basic without display is the functional extendibility by pluggable add-on modules. This enables integration into different BUS networks. Functional extension as a controller is also possible with add-on modules.

In operation as a speed controller, the speed setting can be made by a master control by 0 – 10 V, e.g. by a ZIEHL-ABEGG control module of the UNIcon product series. The speed can also be set manually by connecting a potentiometer. Two-stage operation with adjustable speeds is also possible optionally.

The frequency inverters control asynchronous motors (external rotor motors, IEC standard motors) gently, requirement-based and energy saving.

Advantages achieved by Fcontrol frequency inverters are:

- High energy saving
- Operation without shielded motor cables
- The cable length is not limited by the Fcontrol
- Operation without electromagnetic motor noises (ideal for noise sensitive areas)
- No danger to motors (these must not be suitable for frequency inverters) because they are supplied with sinusoidal voltage according to the mains voltage.

The 3~ Fcontrol Basic inverters are universally suitable for many different applications: E.g. refrigerant technology, air conditioning, agriculture, general ventilation tasks, clean room technology.

Input for sensors or speed settings through

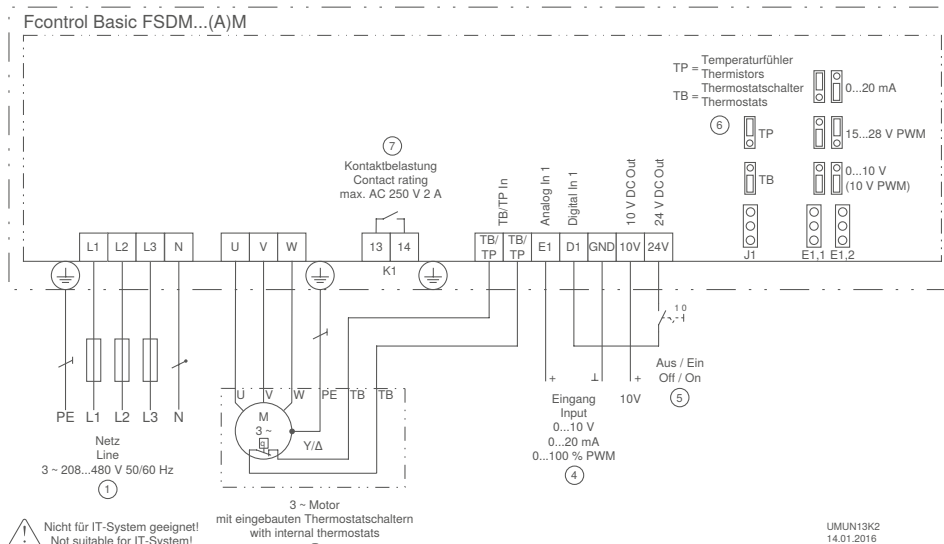


Setting of the desired speed through device or by external default, e.g. 0...10 V



Add-on modules for functional extension

Connection diagram



- ① Line
- ② Only suitable for IT system in special version!
- ③ 3~ motor with built-in thermostats
- ④ Input
- ⑤ Off / On
- ⑥ TP = thermistor
TB = thermostat
- ⑦ Contact load

⚠ Nicht für IT-System geeignet!
Not suitable for IT-System!

UMUN13K2
14.01.2016

Interference emission according to EN 61000-6-3 (domestic)
Interference immunity according to EN 61000-6-2 (industrial)

Equipment/properties

Integrated all-pole effective sinefilter

Phase to phase and phase to protective earth. Thus sinusoidal output voltage. Frequency inverter typical measures such as shielded motor cables are not necessary.

1 analog input for speed setting:

Analog input E1: Setting by jumper to desired setting signal: 0-10 V, 0-20 mA or PWM

1 digital input:

D1 - 24 V: Enable function On/Off

1 potential-free fault indication contact:

The contact drops out in case of a fault. Max. load 250 V, 2 A.

Integrated motor protection function:

Connection possibility for thermostats "TB" or thermistors "TP".

Add-on modules for functional extension:

Article No.	Type
349045	AM-MODBUS
349050	AM-MODBUS-W
349077	AM-MODBUS-WB
349046	AM-PREMIUM
349051	AM-PREMIUM-W
349065	AM-AMPsignal
349071	AM-ETHERCAT
349064	AM-CAN-OPEN
349049	AM-LON
349063	AM-PROFIBUS
349072	AM-PROFINET
349084	AM-BACNET

Information

Motor protection

Fcontrol, Icontrol

UNIcon

Acontrol, Ucontrol, Dcontrol

Transformer

System components

Appendix

Fcontrol Basic without display 3~ 208...480V 50/60Hz

Type	Article no.	Rated voltage V	Rated current A	Rated temperature °C	Max. line fuse A	Max. heat dissipation W	Maximum ambient temperature °C	Protection class	Weight kg	Dimensions (W x H x D) mm
FSDM2.5M	308251	400	2.5	40	6	50	55	IP54	2.70	240 x 284 x 115
FSDM5M	308238		5	55	10	90	55		5.40	250 x 302 x 195.5
FSDM8M	308239		8	40	10	140	55		6.30	250 x 302 x 195.5
FSDM10M	308262		10	55	16	200	55		6.80	250 x 302 x 195.5
FSDM16M	308302		16	40	20	360	55		7.00	250 x 302 x 195.5
FSDM22M	308314		22	40	25	520	55		14.30	280 x 355 x 239
FSDM32M	308316		32	50	35	700	55		29.40	386 x 525 x 283
FSDM40M	308318		40	50	50	790	55		29.40	386 x 525 x 283
FSDM50M	308320		50	50	63	910	55		32.60	386 x 525 x 283

Devices with a rated temperature below 55 °C can be used up to 55 °C with a reduction in performance.

ziehl-abegg.com



43

Fiche produit Motralec Ziehl Abegg FSDM M - fiche technique | Motralec

■ **DEMANDE DE PRIX RAPIDE** : <https://www.motralec.com/demandeContact>

Besoin d'un prix ou d'un conseil technique ?

Ventilateur Ziehl Abegg FSDM M



4,7/5 . +600 avis Google

- Devis rapide et conseil technique par nos spécialistes
- Plus de 200 000 références et 30 marques distribuées
- Vente, réparation, bobinage et SAV en atelier
- Livraison partout en France, accompagnement avant et après-vente

Voir la gamme Ziehl Abegg sur notre site :

www.motralec.com/.../ziehl-abegg

DEMANDER UN PRIX >