

Fiche produit Motralec Ziehl Abegg Ffowlet FF080 6E - fiche technique | Motralec

■ **DEMANDE DE PRIX RAPIDE** : <https://www.motralec.com/demandeContact>

Low pressure fans Agriculture  
www.motralec.com / service-commercial@motralec.com / 01.39.97.65.10

# FFowlet

for single phase alternating current, 6 pole

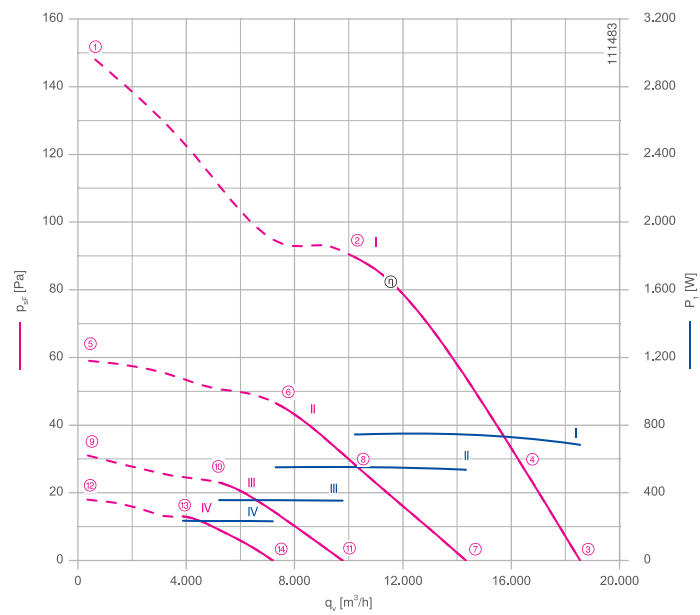
FF080-6E



### Description

- Motor technology: AC
- Rated voltage  $U_N$ : 1~ 230 V±10 %\*
- Rated frequency  $f_N$ : 50 Hz\*
- Input power  $P_i$ : 0.76 kW\*
- Rated current  $I_N$ : 3.40 A\*
- Rated speed  $n_N$ : 880 min<sup>-1</sup>\*
- Current increase  $\Delta I$ : 0 %
- Service capacitor  $C_{400V}$ : 16.0  $\mu$ F
- Thermal class: **THCL155\***
- Min. permitted ambient temperature  $t_{R(min)}$ : -25 °C
- Max. permitted ambient temperature  $t_{R(max)}$ : 55 °C
- Electrical connection: Terminal box
- Number of blades: 3
- Degree of protection : IP54
- Motor protection: thermal contact
- Blades: Aluminium, 1 coat paint, jet black
- Rotor: Aluminium, 1 coat paint, jet black
- Conformity: ErP 2015, CE
- ErP-data**
- Efficiency  $\eta_{sata}$ : 35.9 %
- Efficiency:  $N_{actual} = 43.0 / N_{target} = 40$ \*\*
- \* Rated data
- \*\*ErP 2015

Characteristic curve



Measured in full bell mouth without guard grille in installation type A according to ISO 5801.

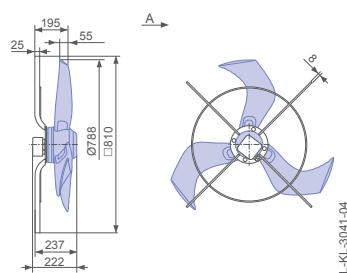
Connection diagram Page 174  
1360-104XB

System components Page 110

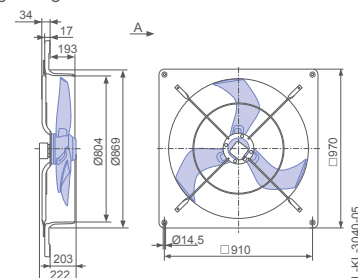
### Dimensions mm

#### Airflow direction A

Design T - for installation in chimney ex-hausts, without guard grille

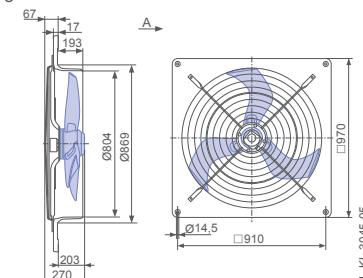


Design Q - square full bell mouth, without guard grille



Wall ring plate made of galvanized sheet steel

Design Q - square full bell mouth, guard grille suction side






Wall ring plate made of galvanized sheet steel

Type	Characteristic curve	Voltage	Operating point	Current	Input power	Speed	Acoustic pressure level 7m L <sub>pA</sub> dB(A)	Specific power P <sub>spez</sub> Wh/1000m <sup>3</sup>
		U V		I A	P <sub>1</sub> W	n min <sup>-1</sup>		
FF080-6E_6F_3P2	I	230	①	4.20	900	810		
			②	3.40	740	890		73.5
			③	3.10	680	910	50	36.9
			④	3.30	720	890	50	44.7
	II	170	⑤	3.90	560	510		
			⑥	3.70	560	640		75.6
			⑦	3.60	540	700	44	37.4
			⑧	3.70	560	630	45	55.4
	III	135	⑨	3.20	360	370		
			⑩	3.10	360	450		69.3
			⑪	3.10	350	490	37	36.2
			⑫	2.60	240	290		60.8
	IV	110	⑬	2.60	230	340		
			⑭	2.50	230	360	31	32.3

## Fan ordering information

### Airflow direction A

Design	T (without guard grille)	Q (without guard grille)	Q (guard grille suction side)
			
<b>Type</b>	<b>FF080-6ET.6F.A3P2</b>	<b>FF080-6EQ.6F.A3P2</b>	<b>FF080-6EQ.6F.A3P2</b>
<b>Article no.</b>	<b>169856</b>	<b>169854</b>	<b>169855</b>
Wall ring plate		Wall ring plate made of galvanized sheet steel	Wall ring plate made of galvanized sheet steel
Weight kg	18.50	33.80	37.70

## Control technology

Frequency inverters Fcontrol 1~	Motor protection units 1~	Electronic voltage controllers 1~
		
Page 132	Page 154	Page 138

[www.ziehl-abegg.com](http://www.ziehl-abegg.com)



67

Fiche produit Motralec Ziehl Abegg Ffowlet FF080 6E - fiche technique | Motralec

■ **DEMANDE DE PRIX RAPIDE** : <https://www.motralec.com/demandeContact>

## Besoin d'un prix ou d'un conseil technique ?

Ventilateur Ziehl Abegg FFOWLET FF080 6E



4,7/5 . +600 avis Google

- Devis rapide et conseil technique par nos spécialistes
- Plus de 200 000 références et 30 marques distribuées
- Vente, réparation, bobinage et SAV en atelier
- Livraison partout en France, accompagnement avant et après-vente

Voir la gamme Ziehl Abegg sur notre site :

[www.motralec.com/.../ziehl-abegg](http://www.motralec.com/.../ziehl-abegg)

**DEMANDER UN PRIX >**