

Fiche produit Motralec Ziehl Abegg Ffowlet FF071 6D - fiche technique | Motralec

■ **DEMANDE DE PRIX RAPIDE** : <https://www.motralec.com/demandeContact>

Low pressure fans [www.motralec.com / service-commercial@motralec.com](http://www.motralec.com/service-commercial@motralec.com) / 01.39.97.65.10 Agriculture

# FFowlet

for three phase alternating current, 6 pole

FF071-6D



### Description

Motor technology: AC  
 Rated voltage  $U_N$ : 3~230/400 V ( $\Delta/Y$ )  $\pm 10\%$ \*  
 Rated frequency  $f_N$ : 50 Hz\* (60Hz data available)  
 Input power  $P_i$ : 0.60 kW\*  
 Rated current  $I_N$ : 2.70/1.55 A\*  
 Rated speed  $n_N$ : 940 min<sup>-1</sup>\*  
 Starting current  $I_A$ : 10.00 / 6.00 A  
 Current increase  $\Delta I$ : 0 %  
 Thermal class: **THCL155\***  
 Min. permitted ambient temperature  $t_{R(min)}$ : -40 °C \*\*\*  
 Max. permitted ambient temperature  $t_{R(max)}$ : 70 °C  
 Electrical connection: Terminal box  
 Number of blades: 3  
 Degree of protection : IP54  
 Motor protection: thermal contact  
 Blades: Aluminium, 1 coat paint, jet black  
 Rotor: Aluminium, 1 coat paint, jet black  
 Conformity: ErP 2015, CE

### ErP-data

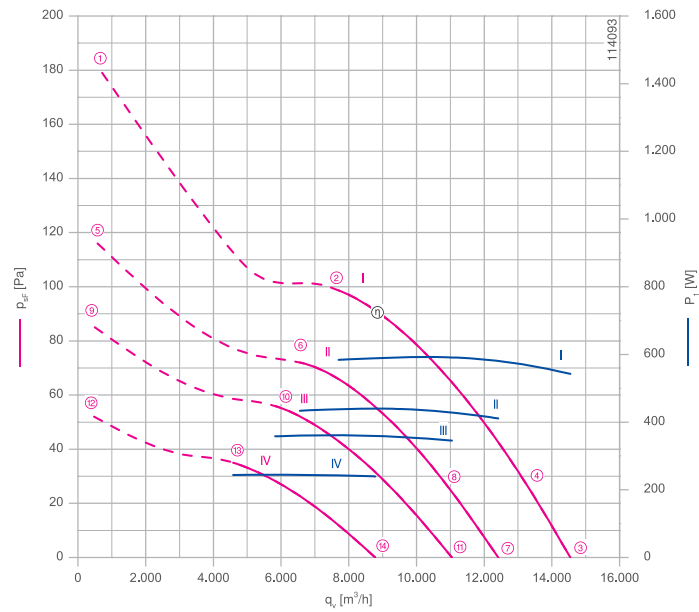
Efficiency  $\eta_{stat,max}$ : 38.4 %  
 Efficiency:  $N_{actual} = 46.2 / N_{target} = 40$ \*\*  
 \* Rated data  
 \*\*ErP 2015

\*\*\* Continuous operation with occasional starts (S1) according to DIN EN 60034-1:2011-02. Occasional starting between -40 °C and -25 °C is permissible. Continuous operation below -25 °C only with special bearings for refrigeration applications on request.

Connection diagram Page 174  
 1360-106XB

System components Page 110

Characteristic curve

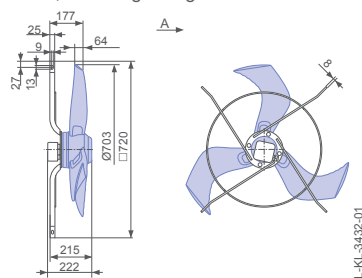


Measured in full bell mouth without guard grille in installation type A according to ISO 5801.

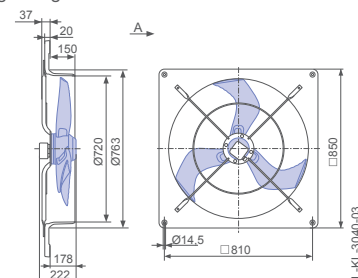
### Dimensions mm

#### Airflow direction A

Design T - for installation in chimney exhausts, without guard grille

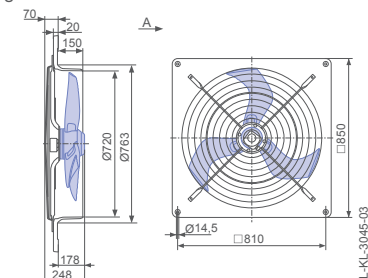


Design Q - square full bell mouth, without guard grille



Wall ring plate made of galvanized sheet steel

Design Q - square full bell mouth, guard grille suction side






Wall ring plate made of galvanized sheet steel

Type	Characteristic curve	Voltage	Operating point	Current	Input power	Speed	Acoustic pressure level 7m $L_{pA}$ dB(A)	Specific power $P_{spez}$ Wh/1000m <sup>3</sup>
		U V		I A	$P_1$ W	n min <sup>-1</sup>		
FF071-6D_6F_3P2	I	400	①	1.70	720	920		
			②	1.55	580	940		76.4
			③	1.50	540	940	51	37.3
			④	1.55	580	940	49	43.8
	II	230	⑤	1.70	500	740		
			⑥	1.45	440	800		66.5
			⑦	1.35	420	820	47	33.1
			⑧	1.45	440	800	46	40.3
	III	190	⑨	1.65	390	630		
			⑩	1.45	360	710		62.1
			⑪	1.40	350	730	45	31.3
			⑫	1.40	250	490		
	IV	145	⑬	1.35	240	560		
			⑭	1.30	240	580	40	53.5
								27.3

## Fan ordering information

### Airflow direction A

Design	T (without guard grille)	Q (without guard grille)	Q (guard grille suction side)
			
<b>Type</b>	<b>FF071-6DT.6F.A3P2</b>	<b>FF071-6DQ.6F.A3P2</b>	<b>FF071-6DQ.6F.A3P2</b>
<b>Article no.</b>	<b>169735</b>	<b>169731</b>	<b>169734</b>
Wall ring plate		Wall ring plate made of galvanized sheet steel	Wall ring plate made of galvanized sheet steel
Weight kg	17.90	29.30	32.80

## Control technology

Frequency inverters Fcontrol 3~	Motor protection units 3~	Electronic voltage controllers 3~
		
Page 144	Page 154	Page 150

[www.ziehl-abegg.com](http://www.ziehl-abegg.com)

Fiche produit Motralec Ziehl Abegg Ffowlet FF071 6D - fiche technique | Motralec

■ **DEMANDE DE PRIX RAPIDE** : <https://www.motralec.com/demandeContact>

## Besoin d'un prix ou d'un conseil technique ?

Ventilateur Ziehl Abegg FFOWLET FF071 6D



4,7/5 . +600 avis Google

- Devis rapide et conseil technique par nos spécialistes
- Plus de 200 000 références et 30 marques distribuées
- Vente, réparation, bobinage et SAV en atelier
- Livraison partout en France, accompagnement avant et après-vente

Voir la gamme Ziehl Abegg sur notre site :

[www.motralec.com/.../ziehl-abegg](http://www.motralec.com/.../ziehl-abegg)

**DEMANDER UN PRIX >**