

Fiche produit Motralec Ziehl Abegg Fe2Owlet FN063 VD - fiche technique | Motralec

■ DEMANDE DE PRIX RAPIDE : <https://www.motralec.com/demandeContact>

High pressure fans www.motralec.com / service-commercial@motralec.com / 01.39.97.65.10 Addendum Fans and Control Technology for agriculture

FE2owlet

for three phase alternating current, 4-4 pole

FN063-VD



Description

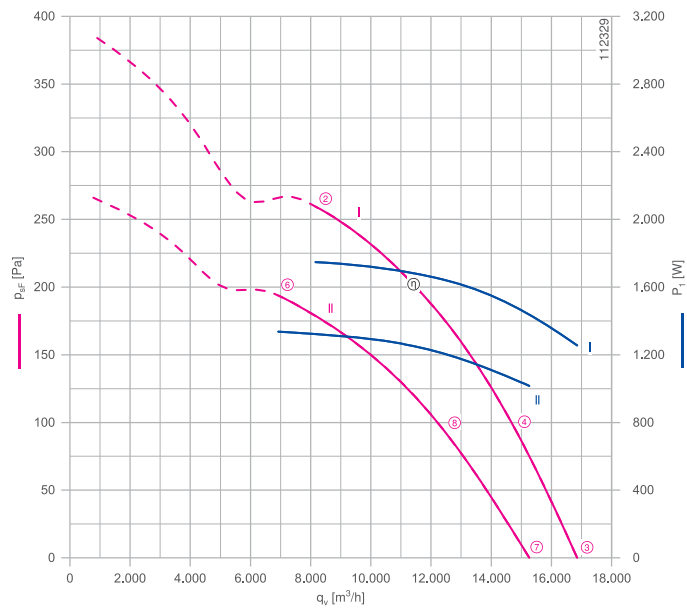
Motor technology: AC
 Rated voltage U_N : 3~ 400 V (Δ/Y) ± 10 %*
 Rated frequency f_N : 50 Hz* (60Hz data available)
 Input power P_i : 1.75/1.35 kW*
 Rated current I_N : 3.70/2.20 A*
 Rated speed n_N : 1400/1210 min⁻¹*
 Starting current I_A : 20.00 / 6.50 A
 Current increase ΔI : 5 %
 Thermal class: THCL155*
 Min. permitted ambient temperature $t_{R(min)}$: -40 °C***
 Max. permitted ambient temperature $t_{R(max)}$: 70 °C
 Electrical connection: Terminal box
 Number of blades: 7
 Degree of protection : IP54
 Motor protection: thermal contact
 Blades: Aluminium, 2 coat paint, jet black
 Rotor: Aluminium, 2 coat paint, jet black
 Conformity: ErP 2015, CE

ErP-data

Efficiency η_{rated} : 37.5 %
 Efficiency grade: $N_{\text{actual}} = 42.5 / N_{\text{target}} = 40$ **
 * Rated data
 ** ErP 2015

*** Continuous operation with occasional starts (S1) according to DIN EN 60034-1:2011-02. Occasional starting between -40 °C and -25 °C is permissible. Continuous operation below -25 °C only with special bearings for refrigeration applications on request.

Characteristic curve



Measured in full bell mouth without guard grille in installation type A according to ISO 5801.

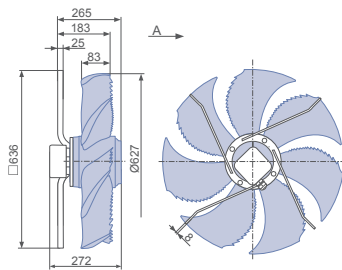
Connection diagram

1360-108XB

Dimensions mm

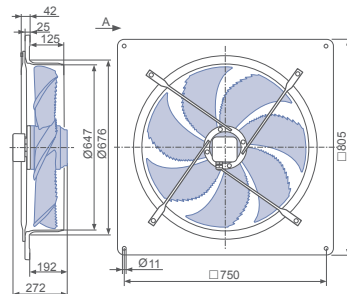
Airflow direction A

Design T - for installation in chimney exhausts, without guard grille



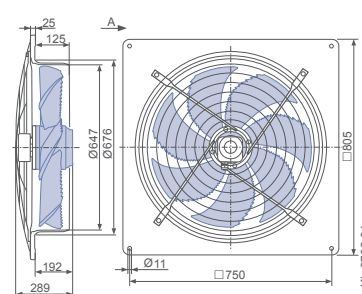
L-KL-3444-04

Design Q - square full bell mouth, without guard grille



Wall ring plate made of composite material

Design Q - square full bell mouth, guard grille suction side








Wall ring plate made of composite material

Performance data

Type	Characteristic curve	Connection	Voltage	Operating point	Current	Input power	Speed	Acoustic pressure level 7m L_{PA} dB(A)	Specific power P_{sp} Wh/1000m ³
			U V						
FN063-VD_6N_7P6	I	Δ	400	②	3.70	1750	1400		217.6
				③	3.10	1250	1430	59	74.5
				④	3.40	1500	1420	58	101.9
				⑥	2.20	1350	1210		192.8
	II	Y	⑦	1.75	1000	1300	57	66.6	
			⑧	2.10	1200	1240	55	99.2	

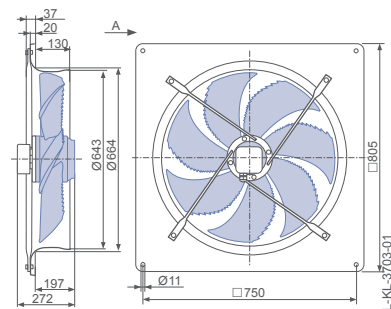
Fan ordering information

Airflow direction A					
Design	T (without guard grille)	Q (without guard grille)	Q (guard grille suction side)	Q (without guard grille)	Q (guard grille suction side)
					
Type Article no.	FN063-VDT.6N.A7P6 177602	FN063-VDQ.6N.A7P6 177603	FN063-VDQ.6N.A7P6 177604	FN063-VDQ.6N.A7P6 177605	FN063-VDQ.6N.A7P6 177606
Wall ring plate	Wall ring plate made of composite material		Wall ring plate made of composite material	Wall ring plate made of coated sheet steel	Wall ring plate made of coated sheet steel
Weight kg	25.10	30.60	32.90	35.50	37.80
Supply temperature	-10 °C - max 40 °C in design with wall ring plate made of composite material				

Control technology

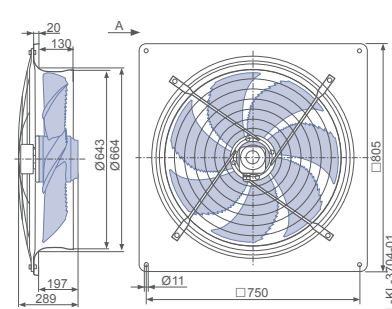


Design Q - square full bell mouth, without guard grille



Wall ring plate made of coated sheet steel

Design Q - square full bell mouth, guard grille suction side



Wall ring plate made of coated sheet steel

FE2owlet

for three phase alternating current, 4-4 pole

FN071-VD



Description

Motor technology: AC
 Rated voltage U_N : 3~ 400 V (Δ/Y) ± 10 %*
 Rated frequency f_N : 50 Hz*
 Input power P_i : 2.60/1.70 kW*
 Rated current I_N : 4.80/2.90 A*
 Rated speed n_n : 1330/1050 min⁻¹*
 Starting current I_A : 20.00 / 6.50 A
 Current increase ΔI : 5 %
 Thermal class: **THCL155***
 Min. permitted ambient temperature $t_{R(min)}$: -40 °C***
 Max. permitted ambient temperature $t_{R(max)}$: 60 °C
 Electrical connection: Terminal box
 Number of blades: 7
 Degree of protection : IP54
 Motor protection: thermal contact
 Blades: Aluminium, 2 coat paint, jet black
 Rotor: Aluminium, 2 coat paint, jet black
 Conformity: ErP 2015, CE

ErP-data

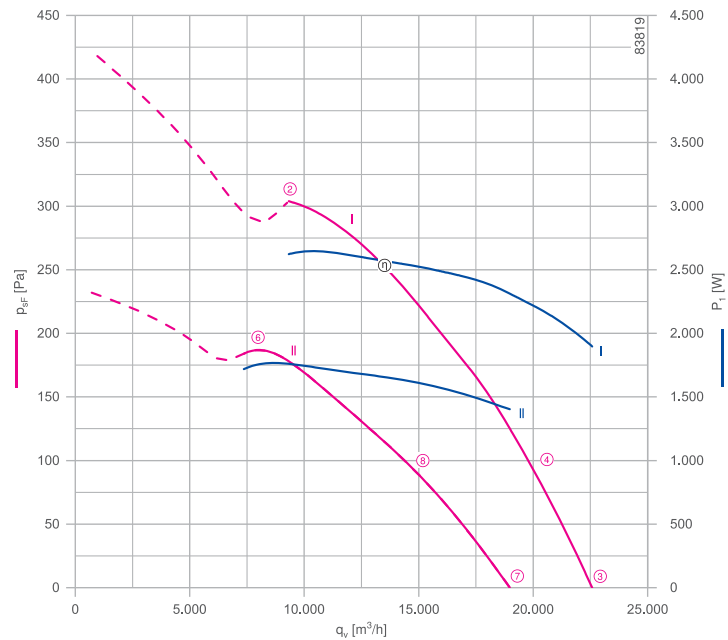
Efficiency η_{statA} : 37.9 %
 Efficiency grade: $N_{actual} = 41.7 / N_{target} = 40$ **

* Rated data

**ErP 2015

*** Continuous operation with occasional starts (S1) according to DIN EN 60034-1:2011-02. Occasional starting between -40 °C and -25 °C is permissible. Continuous operation below -25 °C only with special bearings for refrigeration applications on request.

Characteristic curve



Measured in full bell mouth without guard grille in installation type A according to ISO 5801.

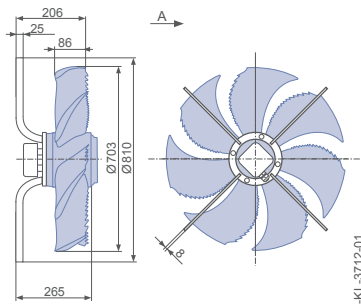
Connection diagram

1360-108XB

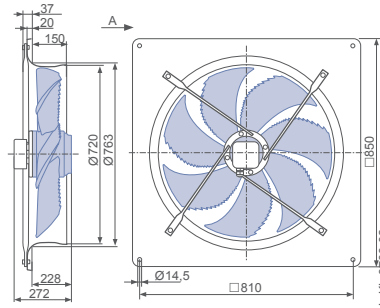
Dimensions mm

Airflow direction A

Design T - for installation in chimney exhausts, without guard grille

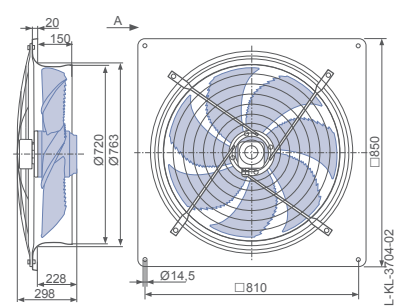


Design Q - square full bell mouth, without guard grille



Wall ring plate made of coated sheet steel

Design Q - square full bell mouth, guard grille suction side






Wall ring plate made of coated sheet steel

Performance data

Type	Characteristic curve	Connection	Voltage	Operating point	Current	Input power	Speed	Acoustic pressure level 7m L _{TA} dB(A)	Specific power P _{spez} Wh/1000m ³
			U V						
FN071-VD_6N_7P2	I	Δ	400	②	4.80	2600	1330		281.2
				③	3.90	1900	1390	58	84.0
				④	4.40	2200	1360	56	112.9
				⑥	2.90	1700	1050		236.5
	II	Y	400	⑦	2.30	1400	1170	54	73.9
				⑧	2.70	1650	1090	51	113.5

Fan ordering information

Airflow direction A

Design	T (without guard grille)	Q (without guard grille)	Q (guard grille suction side)
			
Type	FN071-VDT.6N.A7P2	FN071-VDQ.6N.A7P2	FN071-VDQ.6N.A7P2
Article no.	177621	177622	177623
Wall ring plate	26.00	Wall ring plate made of coated sheet steel 36.90	Wall ring plate made of coated sheet steel 40.50
Weight kg	26.00	36.90	40.50

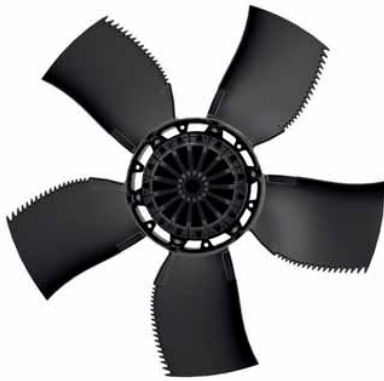
Control technology

Frequency inverters Fcontrol 3~	Motor protection units 3~	Electronic voltage controllers 3~
		

FE2owlet

for three phase alternating current, 4-4 pole

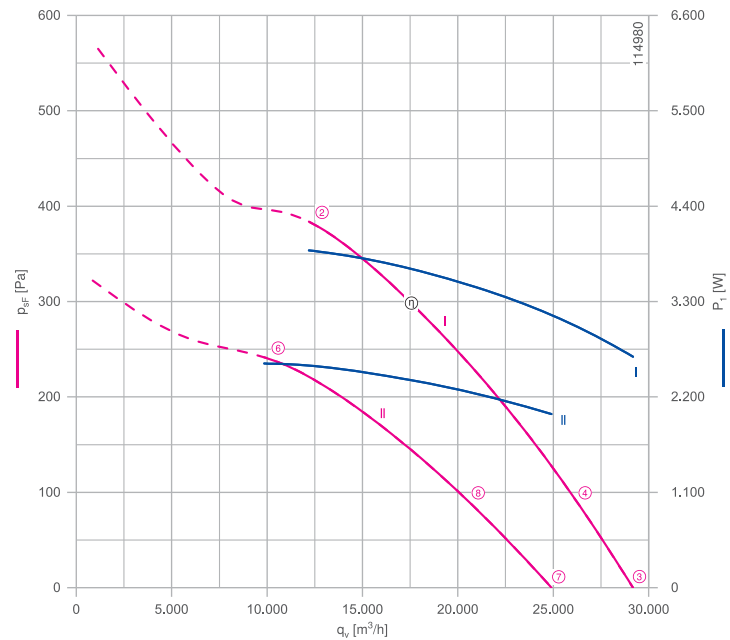
FN080-VD



Description

Motor technology: AC
 Rated voltage U_N : 3~400 V (Δ/Y) ± 10 %*
 Rated frequency f_N : 50 Hz*
 Input power P_i : 3.90/2.60 kW*
 Rated current I_N : 6.80/4.20 A*
 Rated speed n_N : 1310/1050 min⁻¹*
 Starting current I_A : 32.00 / 10.00 A
 Current increase ΔI : 5 %
 Thermal class: **THCL155***
 Min. permitted ambient temperature $t_{R(min)}$: -40 °C***
 Max. permitted ambient temperature $t_{R(max)}$: 70 °C
 Electrical connection: Terminal box
 Number of blades: 5
 Degree of protection : IP54
 Motor protection: thermal contact
 Blades: Aluminium, 2 coat paint, jet black
 Rotor: Aluminium, 2 coat paint, jet black
ErP-data
 Efficiency η_{statA} : 40.4 %
 Efficiency grade: $N_{actual} = 43.2 / N_{target} = 40$ **
 * Rated data
 **ErP 2015
 *** Continuous operation with occasional starts (S1) according to DIN EN 60034-1:2011-02. Occasional starting between -40 °C and -25 °C is permissible. Continuous operation below -25 °C only with special bearings for refrigeration applications on request.

Characteristic curve



Measured in full bell mouth without guard grille in installation type A according to ISO 5801.

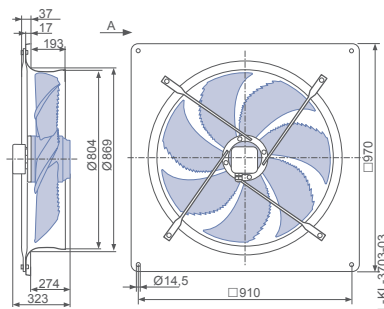
Connection diagram

1360-108XB

Dimensions mm

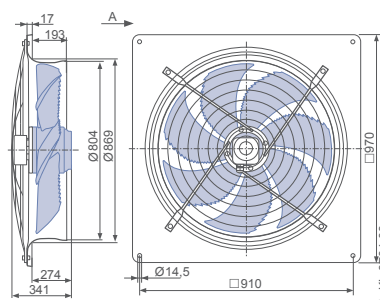
Airflow direction A

Design Q - square full bell mouth, without guard grille



Wall ring plate made of coated sheet steel

Design Q - square full bell mouth, guard grille suction side




Wall ring plate made of coated sheet steel

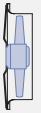
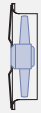
Performance data

Type	Characteristic curve	Connection	Voltage	Operating point	Current	Input power	Speed	Acoustic pressure level 7m L _{TA} dB(A)	Specific power P _{spez} Wh/1000m ³
			U V						
FN080-VD_7Q_5P7	I	Δ	400	②	6.80	3900	1310		319.8
				③	5.20	2700	1380	67	91.3
				④	5.60	3100	1360	66	117.7
				⑥	4.20	2600	1050		267.8
	II	Y	400	⑦	3.20	2000	1180	64	80.3
				⑧	3.70	2300	1120	60	114.1

Fan ordering information

Airflow direction A 

Design Q (without guard grille) Q (guard grille suction side)

Type FN080-VDQ.7Q.A5P7 FN080-VDQ.7Q.A5P7
Article no. 177655 177656

Wall ring plate Wall ring plate made of coated sheet steel Wall ring plate made of coated sheet steel
 Weight kg 61.80 65.60

Control technology

Frequency inverters
Fcontrol 3~



Motor protection units
3~



Electronic voltage
controllers 3~



FE2owlet

for three phase alternating current, 4-4 pole

FN091-VD



Description

Motor technology: AC
 Rated voltage U_N : 3~ 400 V (Δ/Y) ± 10 %*
 Rated frequency f_N : 5 Hz*
 Input power P_i : 5.20/3.10 kW*
 Rated current I_N : 8.80/5.00 A*
 Rated speed n_N : 1210/900 min⁻¹*
 Starting current I_A : 32.00 / 10.00 A
 Current increase ΔI : 0 %
 Thermal class: **THCL155***
 Min. permitted ambient temperature $t_{R(min)}$: -40 °C***
 Max. permitted ambient temperature $t_{R(max)}$: 40 °C
 Electrical connection: Terminal box
 Number of blades: 5
 Degree of protection : IP54
 Motor protection: thermal contact
 Blades: Aluminium, 2 coat paint, jet black
 Rotor: Aluminium, 2 coat paint, jet black
 Conformity: ErP 2015, CE

ErP-data

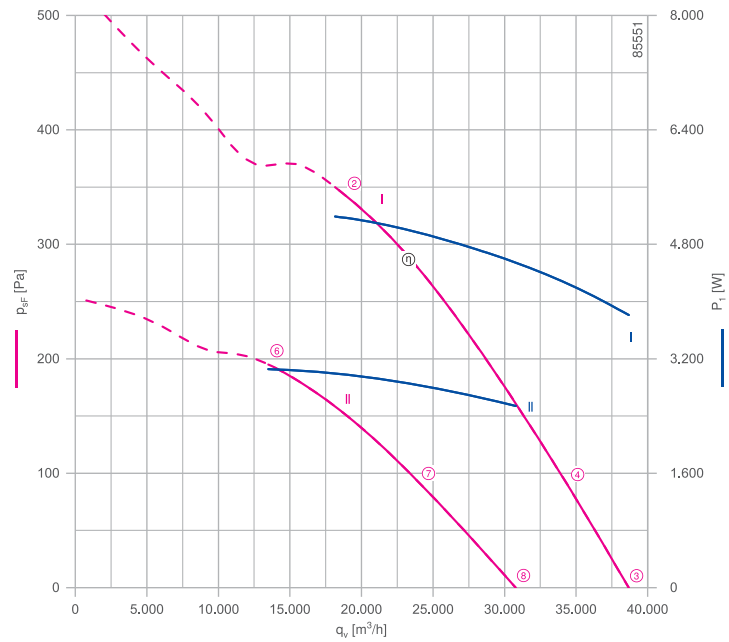
Efficiency η_{statA} : 38.5 %
 Efficiency grade: $N_{actual} = 40.5 / N_{target} = 40$ **

* Rated data

**ErP 2015

*** Continuous operation with occasional starts (S1) according to DIN EN 60034-1:2011-02. Occasional starting between -40 °C and -25 °C is permissible. Continuous operation below -25 °C only with special bearings for refrigeration applications on request.

Characteristic curve



Measured in full bell mouth without guard grille in installation type A according to ISO 5801.

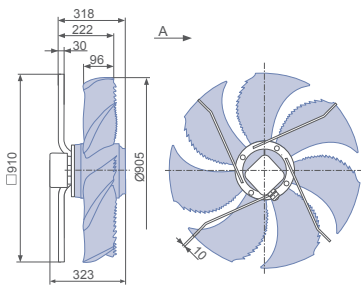
Connection diagram

1360-108XB

Dimensions mm

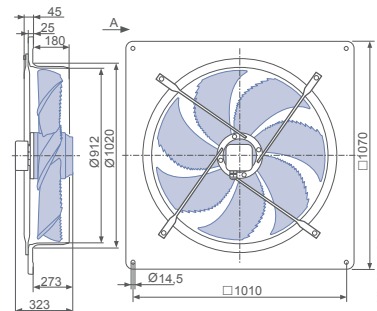
Airflow direction A

Design T - for installation in chimney exhausts, without guard grille



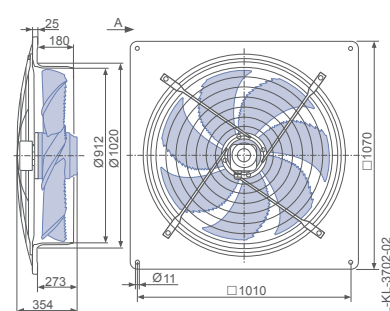
L-KL-3444-05

Design Q - square full bell mouth, without guard grille



Wall ring plate made of composite material

Design Q - square full bell mouth, guard grille suction side



Wall ring plate made of composite material

Type	Characteristic curve	Connection	Voltage	Operating point	Current		Speed	Acoustic pressure level 7m	Specific power
					I A	P ₁ W			
FN091-VD_7Q_5P1	I	Δ	400	②	8.80	5200	1210		291.1
				③	6.80	3800	1300	63	98.6
				④	7.40	4400	1270	62	126.8
				⑤	5.00	3100	900		229.9
	II	Y		⑦	4.20	2500	1040	57	82.5
				⑧	4.60	2800	960	53	122.2

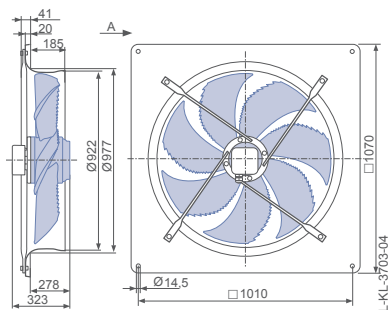
Fan ordering information

Airflow direction A					
Design	T (without guard grille)	Q (without guard grille)	Q (guard grille suction side)	Q (without guard grille)	Q (guard grille suction side)
Type	FN091-VDT.7Q.A5P1	FN091-VDQ.7Q.A5P1	FN091-VDQ.7Q.A5P1	FN091-VDQ.7Q.A5P1	FN091-VDQ.7Q.A5P1
Article no.	177748	177749	177750	177751	177752
Wall ring plate	Wall ring plate made of composite material		Wall ring plate made of composite material	Wall ring plate made of coated sheet steel	Wall ring plate made of coated sheet steel
Weight kg	46.80	57.60	62.20	65.00	69.60
Supply temperature	-10°C - max 40°C in design with wall ring plate made of composite material				

Control technology

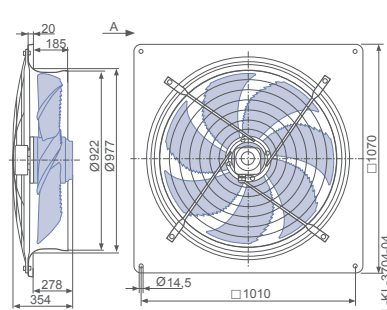


Design Q - square full bell mouth, without guard grille



Wall ring plate made of coated sheet steel

Design Q - square full bell mouth, guard grille suction side



Wall ring plate made of coated sheet steel

ziehl-abegg.com

Fiche produit Motralec Ziehl Abegg Fe2Owlet FN063 VD - fiche technique | Motralec

■ **DEMANDE DE PRIX RAPIDE** : <https://www.motralec.com/demandeContact>

Besoin d'un prix ou d'un conseil technique ?

Ventilateur Ziehl Abegg FE2OWLET FN063 VD



4,7/5 . +600 avis Google

- Devis rapide et conseil technique par nos spécialistes
- Plus de 200 000 références et 30 marques distribuées
- Vente, réparation, bobinage et SAV en atelier
- Livraison partout en France, accompagnement avant et après-vente

Voir la gamme Ziehl Abegg sur notre site :

www.motralec.com/.../ziehl-abegg

DEMANDER UN PRIX >