

Fiche produit Motralec Ziehl Abegg Fe2Owlet Ecblue FN091 - fiche technique | Motralec

■ DEMANDE DE PRIX RAPIDE : <https://www.motralec.com/demandeContact>

High pressure fans Agriculture  
www.motralec.com / service-commercial@motralec.com / 01.39.97.65.10

# FE2owlet-ECblue

for three phase alternating current, 380-480 V

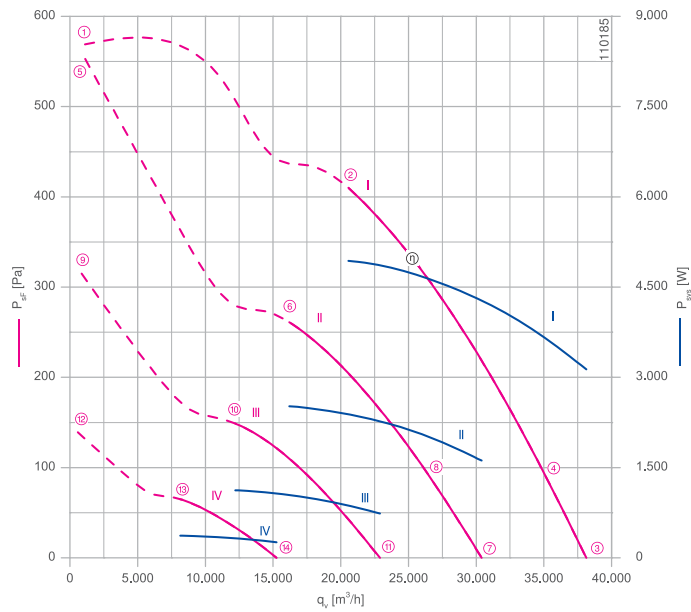
FN091



### Description

Motor technology: EC  
 Rated voltage  $U_N$ : 3~380-480 V\*  
 Rated frequency  $f_N$ : 50/60 Hz\*  
 Input power  $P_{sys}$ : 5.00 kW\*  
 Rated current  $I_N$ : 8.00- 6.40 A\*  
 Rated speed  $n_N$ : 1280 min<sup>-1</sup>\*  
 Thermal class: THCL155\*  
 Min. permitted ambient temperature  $t_{R(min)}$ : -35 °C \*\*\*  
 Max. permitted ambient temperature  $t_{R(max)}$ : 40 °C  
 Electrical connection: Integrated controller  
 Number of blades: 5  
 Degree of protection : IP55  
 Motor protection: Integrated active temperature management  
 Blades: Aluminium, powder-coated, ultramarine blue  
 Rotor: Aluminium, 2 coat paint, ultramarine blue  
 Conformity: ErP 2015, CE, UL  
**ErP-data**  
 Efficiency  $\eta_{data}$ : 53.3 %  
 Efficiency:  $\eta_{actual} = 55.4 / N_{target} = 40$ \*\*  
 EC controller integrated  
 \* Rated data  
 \*\*ErP 2015  
 \*\*\* Continuous operation with occasional starts (S1) according to DIN EN 60034-1:2011-02. Occasional starting between -35 °C and -25 °C is permissible. Continuous operation below -25 °C only with special bearings for refrigeration applications on request.

### Characteristic curve



Measured in full bell mouth without guard grille in installation type A according to ISO 5801.

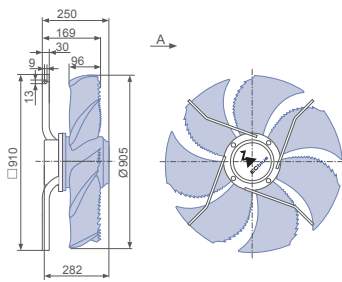
Connection diagram Page 172  
1360-403

System components Page 110

### Dimensions mm

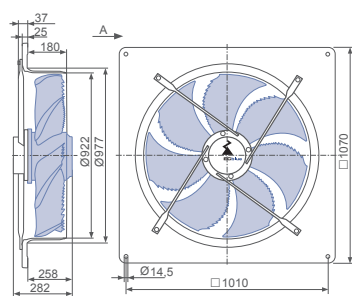
#### Airflow direction A

Design T - for installation in chimney exhausts, without guard grille



L-KL-3347-05

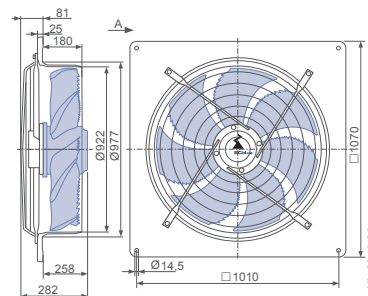
Design Q - square full bell mouth, without guard grille



L-KL-3345-03

Wall ring plate made of composite material

Design Q - square full bell mouth, guard grille suction side



L-KL-3346-03

Wall ring plate made of composite material

| Type            | Characteristic curve | Speed<br>n<br>min <sup>-1</sup> | Operating point | Current | Input power           | Acoustic pressure level 7m | Specific power                             |
|-----------------|----------------------|---------------------------------|-----------------|---------|-----------------------|----------------------------|--|
|                 |                      |                                 |                 | I<br>A  | P <sub>sys</sub><br>W | L <sub>pA</sub><br>dB(A)   | P <sub>spez</sub><br>Wh/1000m <sup>3</sup> |
| FN091-ZI_GQ_5P1 | I                    | 1280                            | ①               | 7.20    | 4800                  |                            |  |
|                 |                      |                                 | ②               | 7.40    | 5000                  |                            | 243.2                                      |
|                 |                      |                                 | ③               | 4.80    | 3100                  | 63                         | 82.1                                       |
|                 |                      |                                 | ④               | 5.60    | 3700                  | 62                         | 106.6                                      |
|                 | II                   | 1020                            | ⑤               | 6.80    | 4600                  |                            |  |
|                 |                      |                                 | ⑥               | 3.80    | 2500                  |                            | 156.0                                      |
|                 |                      |                                 | ⑦               | 2.50    | 1600                  | 56                         | 53.2                                       |
|                 |                      |                                 | ⑧               | 3.20    | 2100                  | 56                         | 78.5                                       |
|                 | III                  | 770                             | ⑨               | 3.00    | 1950                  |                            |  |
|                 |                      |                                 | ⑩               | 1.80    | 1100                  |                            | 92.0                                       |
|                 |                      |                                 | ⑪               | 1.30    | 740                   | 48                         | 32.1                                       |
|                 |                      |                                 | ⑫               | 1.10    | 600                   |                            |  |
|                 | IV                   | 510                             | ⑬               | 0.80    | 370                   |                            | 45.8                                       |
|                 |                      |                                 | ⑭               | 0.64    | 260                   | 40                         | 16.9                                       |

Current values determined at 400V

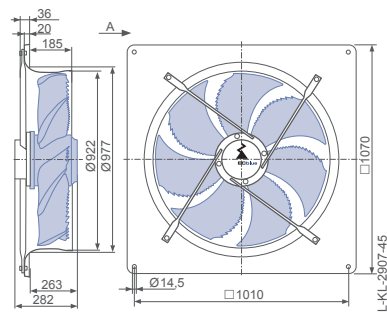
## Fan ordering information

| Airflow direction A |  |                          |  |  |  |
|---------------------|--|--------------------------|--|--|--|
| Design              | T (without guard grille)   | Q (without guard grille) | Q (guard grille suction side)              | Q (without guard grille)                       | Q (guard grille suction side)                  |
|                     |  |                          |  |  |  |
| <b>Type</b>         | <b>FN091-ZIT.GQ.A5P1</b>   | <b>FN091-ZIQ.GQ.A5P1</b> | <b>FN091-ZIQ.GQ.A5P1</b>                   | <b>FN091-ZIQ.GQ.A5P1</b>                       | <b>FN091-ZIQ.GQ.A5P1</b>                       |
| <b>Article no.</b>  | <b>168029</b>  | <b>168032</b>            | <b>168033</b>                              | <b>168030</b>                                  | <b>168031</b>                                  |
| Wall ring plate     | Wall ring plate made of composite material                                   |                          | Wall ring plate made of composite material | Wall ring plate made of galvanized sheet steel | Wall ring plate made of galvanized sheet steel |
| Weight kg           | 40.00  | 57.80                    | 55.00                                      | 57.80  | 62.40  |
| Supply temperature  | -10 °C - max 40 °C in design with wall ring plate made of composite material |                          |  |  |  |

## Control technology

| Control module UNIcon Zenec switch |          |
|------------------------------------|----------|
|                                    |          |
| Page 130                           | Page 158 |

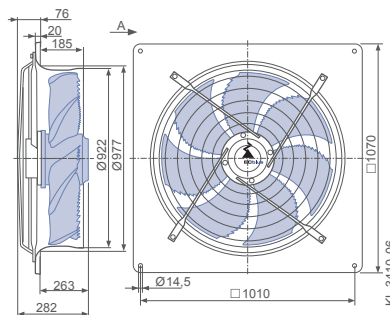
Design Q - square full bell mouth, without guard grille



Wall ring plate made of galvanized sheet steel

[www.ziehl-abegg.com](http://www.ziehl-abegg.com)

Design Q - square full bell mouth, guard grille suction side



Wall ring plate made of galvanized sheet steel

Fiche produit Motralec Ziehl Abegg Fe2Owlet Ecblue FN091 - fiche technique | Motralec

■ **DEMANDE DE PRIX RAPIDE** : <https://www.motralec.com/demandeContact>

## Besoin d'un prix ou d'un conseil technique ?

Ventilateur Ziehl Abegg FE2OWLET ECBLUE FN091



4,7/5 . +600 avis Google

- Devis rapide et conseil technique par nos spécialistes
- Plus de 200 000 références et 30 marques distribuées
- Vente, réparation, bobinage et SAV en atelier
- Livraison partout en France, accompagnement avant et après-vente

Voir la gamme Ziehl Abegg sur notre site :

[www.motralec.com/.../ziehl-abegg](http://www.motralec.com/.../ziehl-abegg)

**DEMANDER UN PRIX >**