

Fiche produit Motralec Ziehl Abegg Fe2Owlet Ecblue FN080 - fiche technique | Motralec

■ DEMANDE DE PRIX RAPIDE : <https://www.motralec.com/demandeContact>

www.motralec.com / service-commercial@motralec.com / 01.39.97.65.10

FE2owlet-ECblue

for three phase alternating current, 380-480 V

FN080



Description

Motor technology: EC
 Rated voltage U_N : 3~ 380-480 V*
 Rated frequency f_N : 50/60 Hz*
 Input power P_{sys} : 4.20 kW*
 Rated current I_N : 6.60- 5.20 A*
 Rated speed n_N : 1250 min⁻¹*
 Thermal class: THCL155*
 Min. permitted ambient temperature $t_{R(min)}$: -35 °C ***
 Max. permitted ambient temperature $t_{R(max)}$: 50 °C
 Electrical connection: Integrated controller
 Number of blades: 7
 Degree of protection : IP55
 Motor protection: Integrated active temperature management
 Blades: Aluminium, powder-coated, ultramarine blue
 Rotor: Aluminium, 2 coat paint, ultramarine blue
 Conformity: ErP 2015, CE, UL

ErP-data

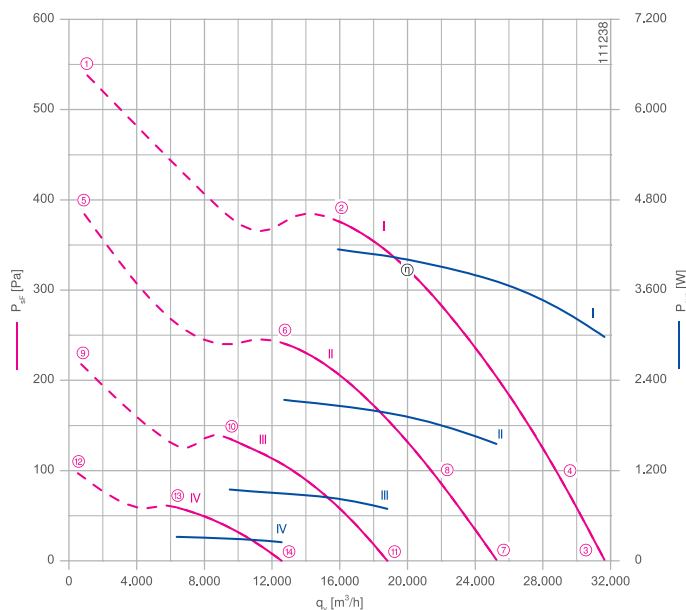
Efficiency η_{data} : 48.8 %
 Efficiency: $\eta_{actual} = 51.4 / N_{target} = 40$ **
 EC controller integrated

* Rated data

**ErP 2015

*** Continuous operation with occasional starts (S1) according to DIN EN 60034-1:2011-02. Occasional starting between -35 °C and -25 °C is permissible. Continuous operation below -25 °C only with special bearings for refrigeration applications on request.

Characteristic curve



Measured in full bell mouth without guard grille in installation type A according to ISO 5801.

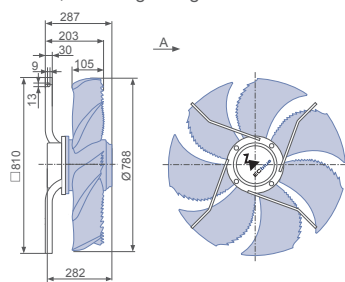
Connection diagram Page 172
1360-403

System components Page 110

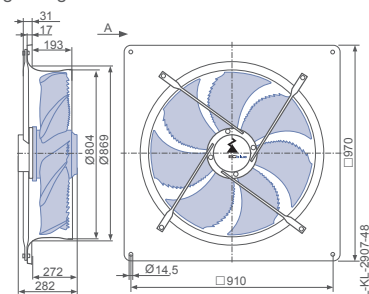
Dimensions mm

Airflow direction A

Design T - for installation in chimney exhausts, without guard grille

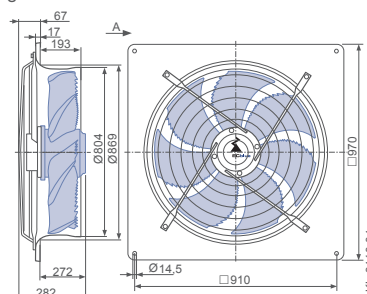


Design Q - square full bell mouth, without guard grille



Wall ring plate made of galvanized sheet steel

Design Q - square full bell mouth, guard grille suction side





Wall ring plate made of galvanized sheet steel

Type	Characteristic curve	Speed n min ⁻¹	Operating point	Current	Input power	Acoustic pressure level 7m	Specific power
				I A	P _{sys} W	L _{pA} dB(A)	P _{spez} Wh/1000m ³
FN080-ZI_GQ_7P3	I	1250	①	7.40	4800		
			②	6.40	4200		261.9
			③	4.60	3000	59	94.1
			④	5.20	3400	58	117.7
	II	1000	⑤	4.60	2900		
			⑥	3.30	2100		168.8
			⑦	2.50	1550	53	61.6
			⑧	2.90	1850	51	86.3
	III	750	⑨	2.00	1250		
			⑩	1.55	940		100.0
			⑪	1.20	700	46	36.7
			⑫	0.84	420		
	IV	500	⑬	0.70	320		50.6
			⑭	0.60	250	39	19.7

Current values determined at 400V



Fan ordering information

Airflow direction A 

Design	T (without guard grille)	Q (without guard grille)	Q (guard grille suction side)
			
Type	FN080-ZIT.GQ.A7P3	FN080-ZIQ.GQ.A7P3	FN080-ZIQ.GQ.A7P3
Article no.	168017	168018	168019
Wall ring plate		Wall ring plate made of galvanized sheet steel	Wall ring plate made of galvanized sheet steel
Weight kg	40.90	56.40	60.20

Control technology

Control module UNIcon Zenec switch

	
Page 130	Page 158

www.ziehl-abegg.com



91

Fiche produit Motralec Ziehl Abegg Fe2Owlet Ecblue FN080 - fiche technique | Motralec

■ **DEMANDE DE PRIX RAPIDE** : <https://www.motralec.com/demandeContact>

Besoin d'un prix ou d'un conseil technique ?

Ventilateur Ziehl Abegg FE2OWLET ECBLUE FN080



4,7/5 . +600 avis Google

- Devis rapide et conseil technique par nos spécialistes
- Plus de 200 000 références et 30 marques distribuées
- Vente, réparation, bobinage et SAV en atelier
- Livraison partout en France, accompagnement avant et après-vente

Voir la gamme Ziehl Abegg sur notre site :

www.motralec.com/.../ziehl-abegg

DEMANDER UN PRIX >