

Fiche produit Motralec Ziehl Abegg Fe2Owlet Ecblue 2 FN125 - fiche technique | Motralec

■ DEMANDE DE PRIX RAPIDE : <https://www.motralec.com/demandeContact>

Low pressure fans [www.motralec.com / service-commercial@motralec.com](http://www.motralec.com/service-commercial@motralec.com) / 01.39.97.65.10 Agriculture

FE2owlet-ECblue

for three phase alternating current, 380-480 V

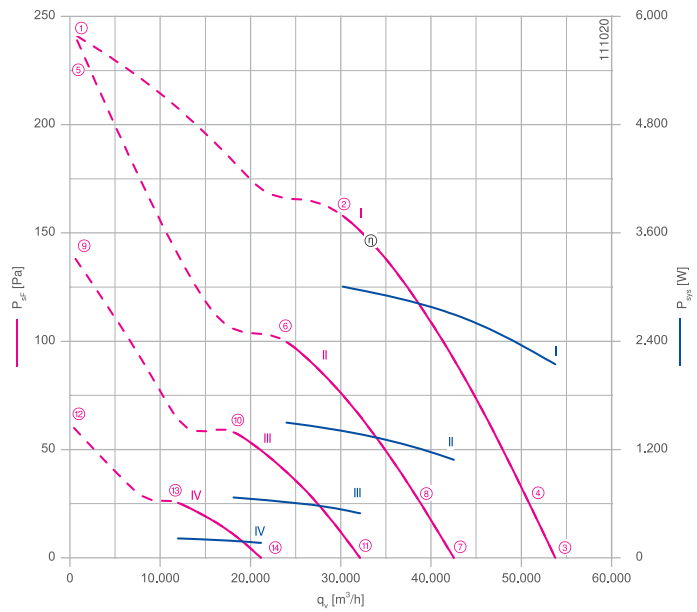
FN125



Description

Motor technology: EC
 Rated voltage U_N : 3~380-480 V*
 Rated frequency f_N : 50/60 Hz*
 Input power P_{sys} : 3.10 kW*
 Rated current I_N : 5.00- 3.90 A*
 Rated speed n_N : 680 min⁻¹*
 Thermal class: THCL155*
 Min. permitted ambient temperature $t_{R(min)}$: -35 °C ***
 Max. permitted ambient temperature $t_{R(max)}$: 40 °C
 Electrical connection: Integrated controller
 Number of blades: 3
 Degree of protection : IP55
 Motor protection: Integrated active temperature management
 Blades: Aluminium, powder-coated, ultramarine blue
 Rotor: Aluminium, 2 coat paint, ultramarine blue
 Conformity: ErP 2015, CE, UL
ErP-data
 Efficiency η_{data} : 49.7 %
 Efficiency: $N_{actual} = 53.0 / N_{target} = 40$ **
 EC controller integrated
 * Rated data
 **ErP 2015
 *** Continuous operation with occasional starts (S1) according to DIN EN 60034-1:2011-02. Occasional starting between -35 °C and -25 °C is permissible. Continuous operation below -25 °C only with special bearings for refrigeration applications on request.

Characteristic curve



Measured in full bell mouth without guard grille in installation type A according to ISO 5801.

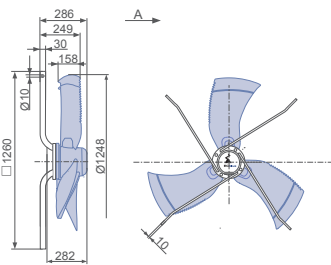
Connection diagram Page 172
1360-403

System components Page 110

Dimensions mm

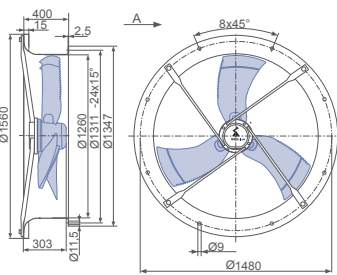
Airflow direction A

Design T - for installation in chimney exhausts, without guard grille



L-KL-3380-01

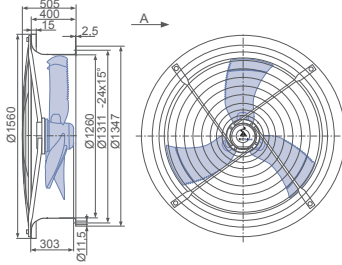
Design L - round full bell mouth, without guard grille



L-KL-3381-01

Wall ring plate made of galvanized sheet steel

Design L - round full bell mouth, guard grille suction side



L-KL-3221-09




Wall ring plate made of galvanized sheet steel

Type	Characteristic curve	Speed n min ⁻¹	Operating point	Current	Input power	Acoustic pressure level 7m	Specific power
				I A	P _{sys} W	L _{pA} dB(A)	P _{spez} Wh/1000m ³
FN125-ZL.GQ._3P1	I	680	①	4.20	2700		
			②	4.60	3000		100.9
			③	3.30	2100	55	39.9
			④	3.60	2400	54	46.7
	II	540	⑤	4.00	2700		
			⑥	2.40	1500		63.2
			⑦	1.80	1100	48	25.6
			⑧	2.00	1250	47	32.6
	III	410	⑨	1.85	1150		
			⑩	1.25	660		36.9
			⑪	1.00	500	40	15.4
			⑫	0.82	350		
	IV	270	⑬	0.64	210		
			⑭	0.56	170	31	7.8

Current values determined at 400V

Fan ordering information

Airflow direction A

Design	T (without guard grille)	L (without guard grille)	L (guard grille suction side)
			
Type	FN125-ZIT.GQ.A3P1	FN125-ZIL.GQ.A3P1	FN125-ZIL.GQ.A3P1
Article no.	168041	168042	168043
Wall ring plate		Wall ring plate made of galvanized sheet steel	Wall ring plate made of galvanized sheet steel
Weight kg	44.50	89.60	97.30

Control technology

Control module UNIcon Zenec switch



Page 130



Page 158

www.ziehl-abegg.com



51

Fiche produit Motralec Ziehl Abegg Fe2Owlet Ecblue 2 FN125 - fiche technique | Motralec

■ **DEMANDE DE PRIX RAPIDE** : <https://www.motralec.com/demandeContact>

Besoin d'un prix ou d'un conseil technique ?

Ventilateur Ziehl Abegg FE2OWLET ECBLUE 2 FN125



4,7/5 . +600 avis Google

- Devis rapide et conseil technique par nos spécialistes
- Plus de 200 000 références et 30 marques distribuées
- Vente, réparation, bobinage et SAV en atelier
- Livraison partout en France, accompagnement avant et après-vente

Voir la gamme Ziehl Abegg sur notre site :

www.motralec.com/.../ziehl-abegg

DEMANDER UN PRIX >