

Fiche produit Motralec Ziehl Abegg EVAC 3C - fiche technique | Motralec
 ■ **DEMANDE DE PRIX RAPIDE** : <https://www.motralec.com/demandeContact>

Control technology www.motralec.com / service-commercial@motralec.com / 01.39.97.65.10 Drive technology for elevators 2025

Evacuation unit

EVAC 3C - The solution for wall installation



Monitoring of the power supply and activation of the evacuation travel

The evacuation unit EVAC 3C monitors the mains power supply of the elevator system. If one or more supply phases fail, the frequency inverter is disconnected from the supply network. The elevator control system and frequency inverter are simultaneously informed of the power failure. The battery power supply is then connected with a time delay. The frequency inverter switches to emergency mode (reduced speed) and an evacuation can be started via the elevator control system regardless of the current load ratios.

The alternative to a complex and drawn-out process of having trapped individuals freed by third-party personnel.

Operating terminal ZApad	Page 95
Frequency inverter ZAdyn4C	Page 83
Frequency inverter ZAdynpro	Page 85
EVAC Battery set and cable set	Page 115

Description

- Wall installation in machine room or elevator shaft
- For synchronous and asynchronous motors
- For frequency inverters ZAdyn
- 60 min availability (with restricted number of trips)
- Integrated mains monitoring
- Integrated charger for controlled charging of lead-gel rechargeable battery
- Operation and configuration via the ZApad operating terminal
- Monitoring of the battery temperature
- Function test via digital input
- LED display for operation / fault
- 4 x relay output
- 4 x digital input (24 VDC)
- External main switch; that permits installation in the elevator shaft
- Prefabricated cables for fast installation
- Power contactors for switching from normal to battery mode
- Integrated inverted rectifier 230 VAC / 500 W to supply:
 - Elevator controller
 - Cabin light
 - Door drive
 - Motor brake
- SD card slot for data backup

Type	Article no.	Mains voltage type	Nominal voltage VAC	Mains frequency Hz	Nominal current A	Battery voltage VDC	Battery type	Time limit evac. min	Weight kg
EVAC 3C032	357231	3~	400	50/60	32	120-180	Blei-Gel	60	33.20
EVAC 3C050	357232				50			60	34.70
EVAC 3C074	357233				74			60	38.40



Features

- External operating terminal ZApad
- MMC/SD card interface for data backup and exchange

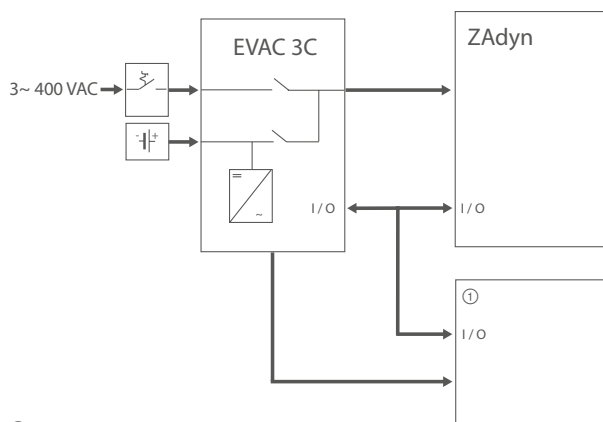
Options

- Cable set LS-EVAC3C-03-HX-...-ZA3/4
- Cable set LS-EVAC3C-...-HX-ST

Additionally required components

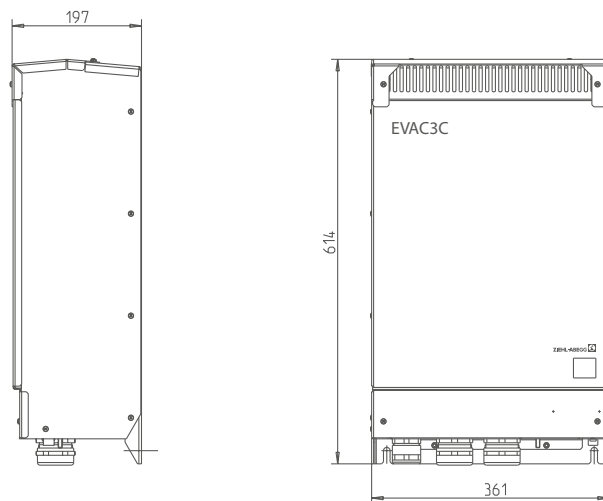
- Battery set corresponding to the required output
- 4-pole main switch

Simplified diagram



Ⓜ Elevator control

Dimensions mm



ziehl-abegg.com

Information

ZAtop

ZAtopx

ZAsyn

ZAdisc

ZAtop AM

System components motors

Control technology

System components control technology

Appendix



90

Fiche produit Motralec Ziehl Abegg EVAC 3C - fiche technique | Motralec

■ **DEMANDE DE PRIX RAPIDE** : <https://www.motralec.com/demandeContact>

Besoin d'un prix ou d'un conseil technique ?

Ventilateur Ziehl Abegg EVAC 3C



4,7/5 . +600 avis Google

- Devis rapide et conseil technique par nos spécialistes
- Plus de 200 000 références et 30 marques distribuées
- Vente, réparation, bobinage et SAV en atelier
- Livraison partout en France, accompagnement avant et après-vente

Voir la gamme Ziehl Abegg sur notre site :

www.motralec.com/.../ziehl-abegg

DEMANDER UN PRIX >