

Fiche produit Motralec Ziehl Abegg ESDM - fiche technique | Motralec

■ DEMANDE DE PRIX RAPIDE : <https://www.motralec.com/demandeContact>

Frequency inverters www.motralec.com / service-commercial@motralec.com / 01.39.97.65.10

Frequency inverters

PMcontrol Basic, modularly extendable speed controllers



The PMcontrol Basic frequency inverters are intended for requirement-based, energy saving speed control of PM motors (permanent magnet excited synchronous motors).

In the "Basic" version the frequency inverters are speed controllers and can be controlled, for example, by 0 - 10 V. The products can also be extended functionally by pluggable add-on modules if necessary.

Add-on modules enable integration into different bus networks. Functional extension as a controller is also possible by add-on modules.

For fast commissioning, the frequency inverter is equipped with a slot for the ZAstick parameter memory. Necessary operating and motor data for optimum energetic and acoustic operation of the appropriate motor or fan are saved on the pluggable ZAstick parameter memory for the frequency inverter. As soon as voltage is applied to the frequency inverter, the data are loaded and saved as a factory setting.

Input for sensors or speed settings through

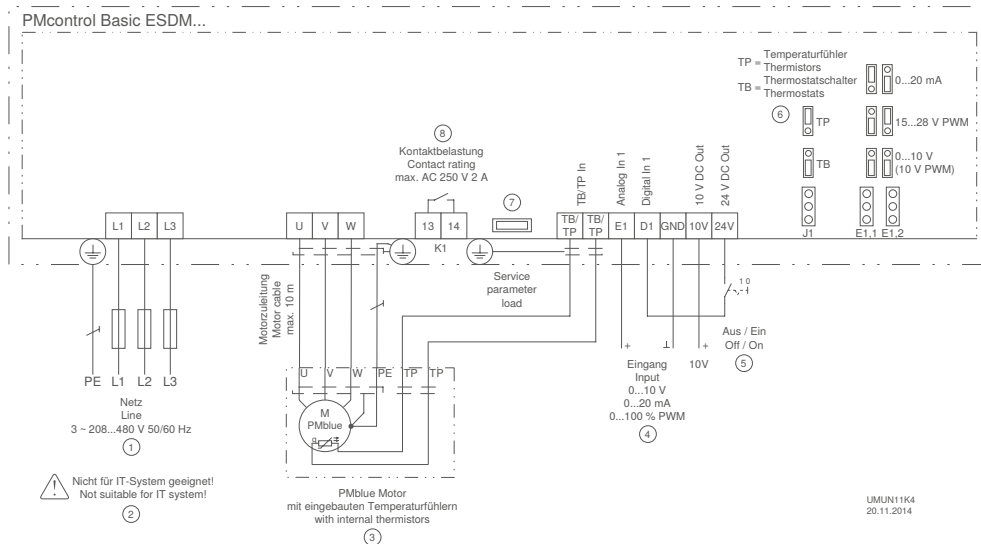


Setting of the desired speed through device or by external default, e.g. 0...10 V



Add-on modules for functional extension

Connection diagram



- ① Line 3~ 208 V...480 V, 50/60 Hz
- ② Not suitable for IT system!
- ③ PMblue motor with built-in thermistors
- ④ Input: 0...10 V, 0...20 mA, 0...100 % PWM
- ⑤ Enable device off/on
- ⑥ TP = thermistor
TB = thermostat
- ⑦ Interface for transfer of the motor parameters with ZAstick
- ⑧ Contact load max. 2 A / 250 V AC

UMUN11K4
20.11.2014

Interference emission according to EN 61000-6-3 (domestic)
Interference immunity according to EN 61000-6-2 (industrial)

Add-on modules for functional extension:

Equipment/properties

1 analog input for speed setting:

Analog input E1: Setting by jumper to desired setting signal: 0-10 V, 0-20 mA or PWM

1 digital input:

D1 - 24 V: Enable function On/Off

1 potential-free fault indication contact:

The contact drops out in the event of a fault. Max. load capacity with 250 V, 2 A.

Integrated motor protection function:

Connection possibility for thermostat "TB" or thermistor "TP".

Slot for ZAstick parameter memory:

As soon as voltage is applied to the frequency inverter, the data of the assigned motor or fan are loaded and saved as a factory setting. The ZAstick can stay in the slot or can be removed after installation.

Article No.	Type
349045	AM-MODBUS
349050	AM-MODBUS-W
349077	AM-MODBUS-WB
349046	AM-PREMIUM
349051	AM-PREMIUM-W
349065	AM-AMPsignal
349071	AM-ETHERCAT
349064	AM-CAN-OPEN
349049	AM-LON
349063	AM-PROFIBUS
349072	AM-PROFINET
349084	AM-BACNET

PMcontrol Basic, modularly extendable speed controllers											
3~ 208...480V 50/60Hz											
Type	Article no.	Rated voltage	Rated current	Rated temperature	Rated power	Max. line fuse	Max. heat dissipation	Maximum ambient temperature	Protection class	Weight	Dimensions (W x H x D)
		V	A	°C	kW	A	W	°C		kg	mm
ESDM8.5	306619	400	8.5	55	4.0	10	200	55	IP54	5.60	250 x 302 x 195.5
ESDM17	306620		17	55	7.5	20	400	55		5.90	250 x 302 x 195.5
ESDM32	306621		32	55	15	35	650	55		19.60	279 x 405 x 260

Devices with a rated temperature below 55 °C can be used up to 55 °C with a reduction in performance
rated power = power rating of the internal rotor motor. The motor rated current is decisive for the assignment of the frequency inverter.

ziehl-abegg.com



59

Fiche produit Motralec Ziehl Abegg ESDM - fiche technique | Motralec

■ **DEMANDE DE PRIX RAPIDE** : <https://www.motralec.com/demandeContact>

Information

Motor protection

Fcontrol, Icontrol

UNIcon

Acontrol, Ucontrol, Dcontrol

Transformer

System components

Appendix

Besoin d'un prix ou d'un conseil technique ?

Ventilateur Ziehl Abegg ESDM



4,7/5 . +600 avis Google

- Devis rapide et conseil technique par nos spécialistes
- Plus de 200 000 références et 30 marques distribuées
- Vente, réparation, bobinage et SAV en atelier
- Livraison partout en France, accompagnement avant et après-vente

Voir la gamme Ziehl Abegg sur notre site :

www.motralec.com/.../ziehl-abegg

DEMANDER UN PRIX >