

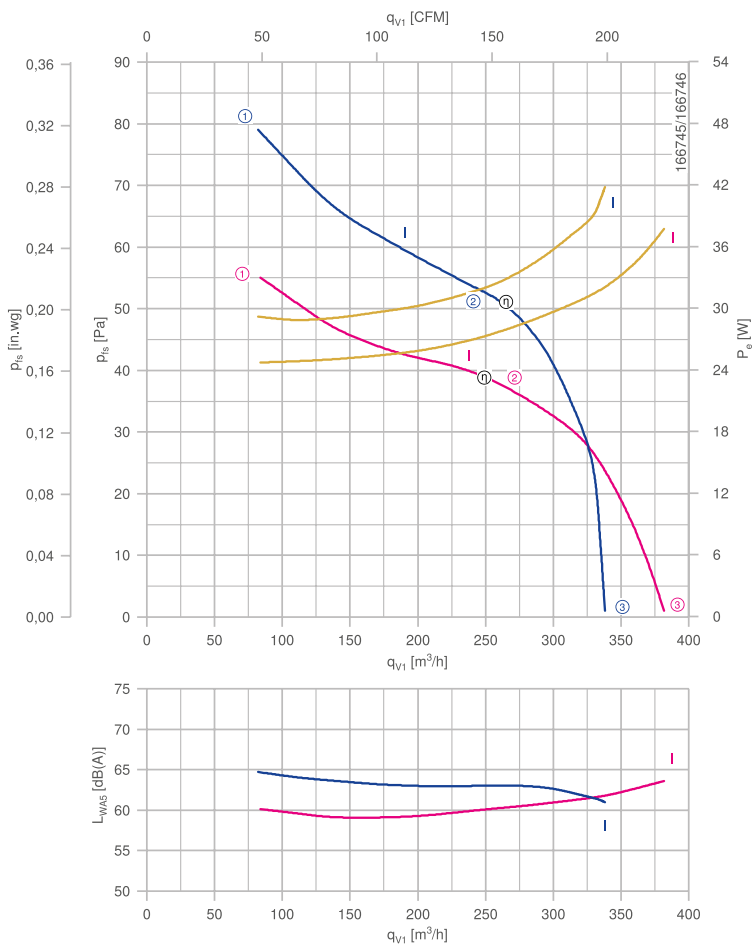
# Cross flow fan

for single phase alternating current, 2 pole

QR06A-2E



Characteristic curve



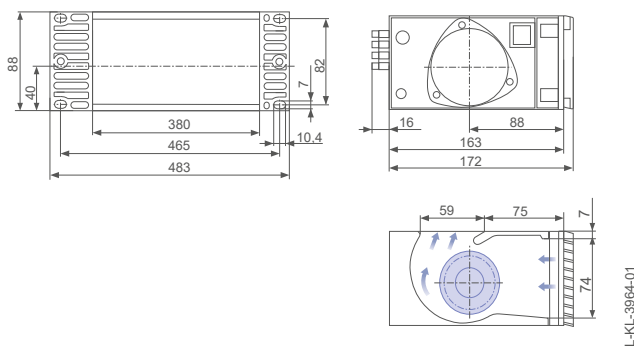
## Description

Motor technology: AC  
 Rated voltage  $U_N$ : 1~ 230 V  $\pm 10\%$ \*  
 Rated frequency  $f_N$ : 50 Hz | 60 Hz\*  
 Input power  $P_e$ :  
 40 W | 50 W\*  
 Rated current  $I_N$ :  
 0.17 A | 0.22 A\*  
 Rated speed  $n_N$ :  
 2450  $\text{min}^{-1}$  | 2500  $\text{min}^{-1}$ \*  
 Service capacitor  $C_{400V}$ : 1.0  $\mu\text{F}$   
 Thermal class: **THCL105\***  
 Min. permitted ambient temperature  $t_{\text{amb}(\text{min})}$ : -20 °C  
 Max. permitted ambient temperature  $t_{\text{amb}(\text{max})}$ : 70 °C  
 Electrical connection: Prewired to a terminal strip, capacitor fitted and connected  
 Degree of protection: IP10  
 Motor protection: Thermal contact switched in coil, clockwise  
 Impeller made of aluminium  
 Housing: Side plates galvanised steel, casing profile aluminium, guide vane steel  
 Conformity: CE, UL  
**ErP-data**  
 Not subject to the regulations of ErP directive ( $P_e < 125$  W)  
 \*Rated data

Connection diagram 1360-167XA Page 108  
 System components Page 80

## Dimensions mm

Cross flow fan in installation position H



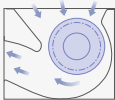
### Performance data

Type	Characteristic curve	Voltage	Frequency	Operating point	Current	Input power	Speed	Suction side sound power level $L_{WAS}$ dB(A)
		U V	f Hz		I A	$P_e$ W	n min <sup>-1</sup>	
QR06A-2EM.38.AB		230	50	①	0.11	24	2750	60
		230		②	0.12	28	2610	60
		230		③	0.16	38	1850	64
		230	60	①	0.13	30	3170	65
		230		②	0.14	32	2960	63
		230		③	0.18	42	1710	61

### Fan ordering information

Design QR

Installation position H




**Type** QR06A-2EM.38.AB  
**Article no.** 104724

Weight kg 1.50

### Control technology

Transformer-based controllers 1~



Page 92

- Information
- Cross flow fan, EC-Technology
- Cross flow fan
- System components
- Control technology
- Appendix

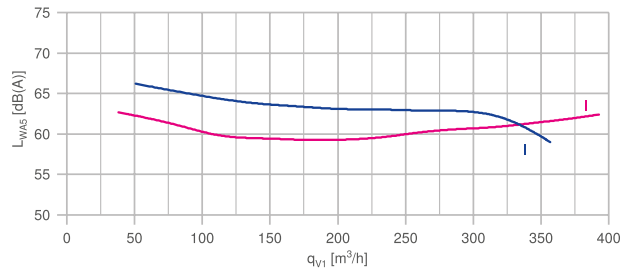
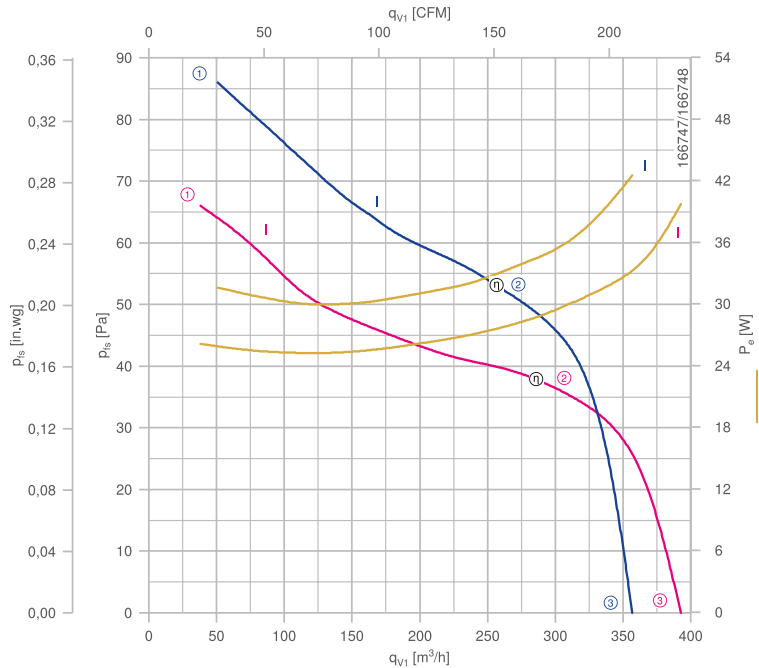
# Cross flow fan

for single phase alternating current, 2 pole

QR06A-2E



## Characteristic curve



Measured according to ISO 5801.  
The fan should only be used with the filter fitted.

### Description

- Motor technology: AC
- Rated voltage  $U_N$ : 1~ 230 V  $\pm 10\%$ \*
- Rated frequency  $f_N$ : 50 Hz | 60 Hz\*
- Input power  $P_e$ :  
40 W | 50 W\*
- Rated current  $I_N$ :  
0.17 A | 0.22 A\*
- Rated speed  $n_N$ :  
2450 min<sup>-1</sup> | 2500 min<sup>-1</sup>\*
- Service capacitor  $C_{400V}$ : 1.0  $\mu F$
- Thermal class: **THCL105\***
- Min. permitted ambient temperature  $t_{amb(min)}$ : -20 °C
- Max. permitted ambient temperature  $t_{amb(max)}$ : 70 °C
- Electrical connection: Prewired to a terminal strip, capacitor fitted and connected
- Degree of protection: IP10
- Motor protection: Thermal contact switched in coil, clockwise
- Impeller made of aluminium
- Housing: Side plates galvanised steel, casing profile aluminium, guide vane steel
- Conformity: CE, UL

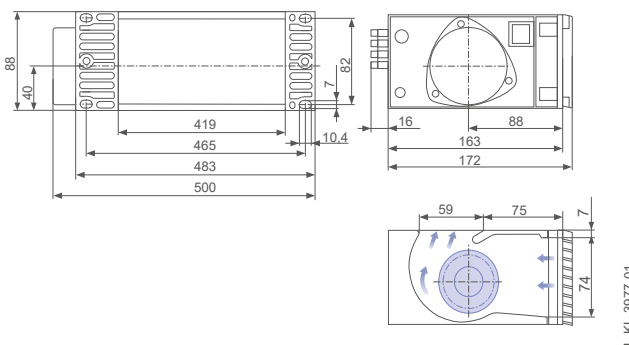
### ErP-data

Not subject to the regulations of ErP directive ( $P_e < 125$  W)  
\*Rated data

Connection diagram 1360-167XA Page 108  
System components Page 80

## Dimensions mm

Cross flow fan in installation position H



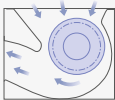
### Performance data

Type	Characteristic curve	Voltage	Frequency	Operating point	Current	Input power	Speed	Suction side sound power level $L_{WAS}$ dB(A)
		U V	f Hz		I A	$P_e$ W	n min <sup>-1</sup>	
QR06A-2EM.42.AB		230	50	①	0.11	26	2680	63
		230		②	0.12	28	2560	61
		230		③	0.17	40	1690	62
		230	60	①	0.14	32	3060	66
		230		②	0.14	32	3060	63
		230		③	0.18	42	1480	59

### Fan ordering information

Design QR

Installation position H




**Type** QR06A-2EM.42.AB  
**Article no.** 104725

Weight kg 1.60

### Control technology

Transformer-based controllers 1~



Page 92

- Information
- Cross flow fan, EC-Technology
- Cross flow fan
- System components
- Control technology
- Appendix

# Cross flow fan

for single phase alternating current, 2 pole

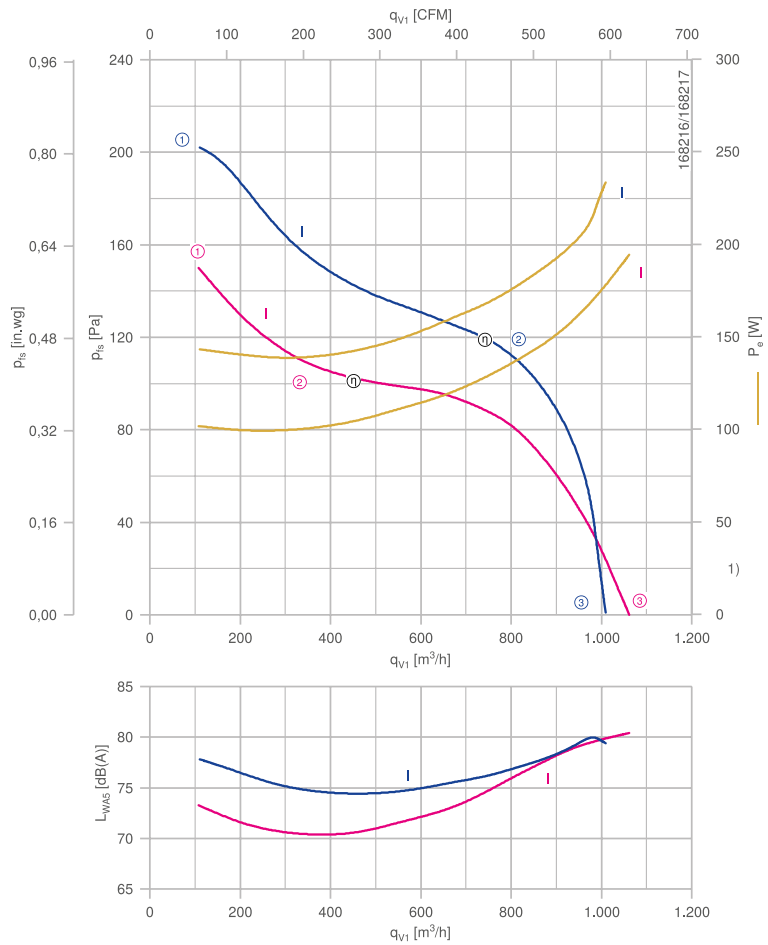
QRO8A-2E



## Description

Motor technology: AC  
 Rated voltage  $U_N$ : 1~ 230 V  $\pm 10\%$ \*  
 Rated frequency  $f_N$ : 50 Hz | 60 Hz\*  
 Input power  $P_e$ :  
 190 W | 230 W\*  
 Rated current  $I_N$ :  
 0.85 A | 1.00 A\*  
 Rated speed  $n_N$ :  
 2100  $\text{min}^{-1}$  | 2040  $\text{min}^{-1}$ \*  
 Current increase  $\Delta I$ : 0 %  
 Service capacitor  $C_{400V}$ : 4.0  $\mu\text{F}$   
 Thermal class: **THCL130\***  
 Min. permitted ambient temperature  $t_{\text{amb(min)}}$ : -20 °C  
 Max. permitted ambient temperature  $t_{\text{amb(max)}}$ : 70 °C  
 Electrical connection: Prewired to a terminal strip, capacitor fitted and connected  
 Degree of protection: IP10  
 Impeller made of aluminium  
 Housing: Side plates galvanised steel, casing profile aluminium, guide vane steel  
 Conformity: CE  
**ErP-data**  
 Not subject to the regulations of ErP directive ( $P_e < 125$  W)  
 \*Rated data

## Characteristic curve

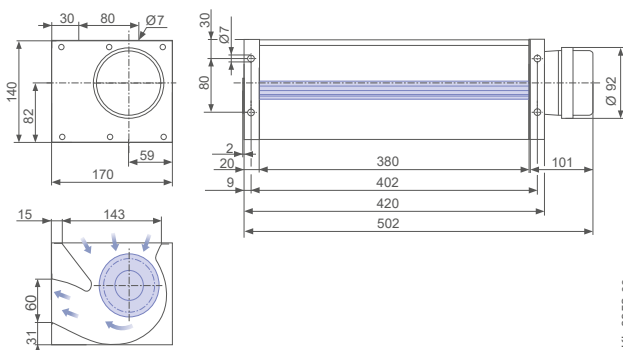


Measured according to ISO 5801.

Connection diagram 1360-161XA Page 108  
 System components Page 80

## Dimensions mm

Cross flow fan in installation position H



L-KL-3952-03

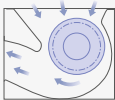
### Performance data

Type	Characteristic curve	Voltage	Frequency	Operating point	Current	Input power	Speed	Suction side sound power level $L_{WAS}$ dB(A)
		U V	f Hz		I A	$P_e$ W	n min <sup>-1</sup>	
QR08A-2EM.38.CF		230	50	①	0.48	100	2760	73
		230		②	0.54	120	2670	73
		230		③	0.84	190	2090	80
		230	60	①	0.64	140	3230	78
		230		②	0.74	170	3040	76
		230		③	1.00	230	2040	79

### Fan ordering information

Design QR

Installation position H




**Type** QR08A-2EM.38.CF  
**Article no.** 118573

Weight kg 4.10

### Control technology

Transformer-based controllers 1~



Page 92

- Information
- Cross flow fan, EC-Technology
- Cross flow fan
- System components
- Control technology
- Appendix

# Cross flow fan

for single phase alternating current, 2 pole

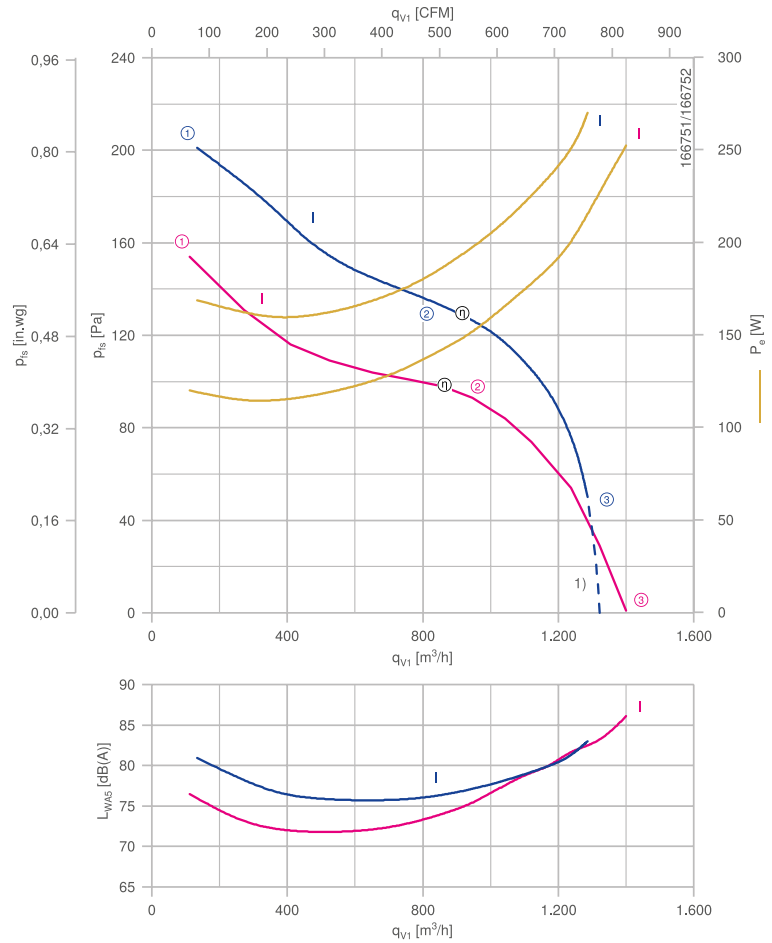
QRO8A-2E



## Description

Motor technology: AC  
 Rated voltage  $U_N$ : 1~ 230 V  $\pm 10\%$ \*  
 Rated frequency  $f_N$ : 50 Hz | 60 Hz\*  
 Input power  $P_e$ :  
 240 W | 280 W\*  
 Rated current  $I_N$ :  
 1.05 A | 1.15 A\*  
 Rated speed  $n_N$ :  
 2300  $\text{min}^{-1}$  | 2450  $\text{min}^{-1}$ \*  
 Service capacitor  $C_{400V}$ : 5.0  $\mu\text{F}$   
 Thermal class: **THCL130\***  
 Min. permitted ambient temperature  $t_{\text{amb}(\text{min})}$ : -20 °C  
 Max. permitted ambient temperature  $t_{\text{amb}(\text{max})}$ : 70 °C  
 Electrical connection: Prewired to a terminal strip, capacitor fitted and connected  
 Minimum pressing  $p_{\text{st}(\text{min})}$ : 50PA  
 Degree of protection: IP10  
 Impeller made of aluminium  
 Housing: Side plates galvanised steel, casing profile aluminium, guide vane steel  
 Conformity: ErP 2015, CE  
**ErP-data**  
 Efficiency  $\eta_{\text{tot}}$ : 23.7 %  
 Efficiency grade:  $N_{\text{actual}} = 28.4 / N_{\text{target}} = 21^{**}$   
 \*Rated data  
 \*\*ErP 2015

## Characteristic curve

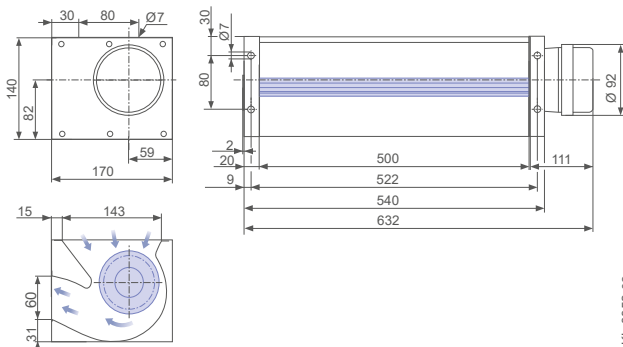


1) Do not operate in this area  
 Measured according to ISO 5801.

Connection diagram 1360-161XA Page 108  
 System components Page 80

## Dimensions mm

Cross flow fan in installation position H



L-KL-3952-02

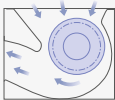
### Performance data

Type	Characteristic curve	Voltage	Frequency	Operating point	Current	Input power	Speed	Suction side sound power level $L_{WAS}$ dB(A)
		U V	f Hz		I A	$P_e$ W	n min <sup>-1</sup>	
QR08A-2EM.50.CH		230	50	①	0.56	120	2810	77
		230		②	0.64	140	2700	74
		230		③	1.10	250	2130	86
		230	60	①	0.74	170	3230	81
		230		②	0.86	190	3110	77
		230		③	1.20	270	2450	83

### Fan ordering information

Design QR

Installation position H




**Type** QR08A-2EM.50.CH  
**Article no.** 113240

Weight kg 4.90

### Control technology

Transformer-based controllers 1~



Page 92

- Information
- Cross flow fan, EC-Technology
- Cross flow fan
- System components
- Control technology
- Appendix

# Cross flow fan

for single phase alternating current, 2 pole

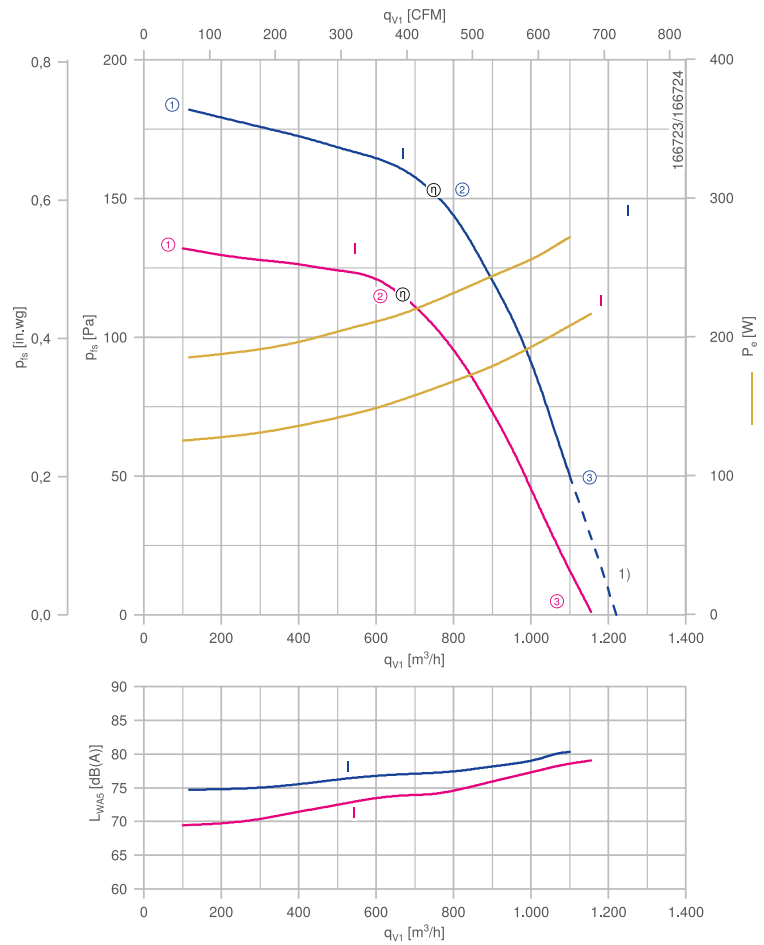
QK08A-2E



## Description

Motor technology: AC  
 Rated voltage  $U_N$ : 1~ 230 V  $\pm 10\%^*$   
 Rated frequency  $f_N$ : 50 Hz | 60 Hz\*  
 Input power  $P_e$ :  
 270 W | 280 W\*  
 Rated current  $I_N$ :  
 1.20 A | 1.20 A\*  
 Rated speed  $n_N$ :  
 2470 min<sup>-1</sup> | 2600 min<sup>-1</sup>\*  
 Service capacitor  $C_{400V}$ : 6.0  $\mu F$   
 Thermal class: **THCL130\***  
 Min. permitted ambient temperature  $t_{amb(min)}$ : -20 °C  
 Max. permitted ambient temperature  $t_{amb(max)}$ : 70 °C  
 Electrical connection: Prewired to a terminal strip, capacitor fitted and connected  
 Minimum pressing  $p_{st(min)}$ : 50PA  
 Degree of protection: IP10  
 Impeller made of aluminium  
 Housing: Side plates galvanised steel, casing profile aluminium, guide vane steel  
 Conformity: ErP 2015, CE  
**ErP-data**  
 Efficiency  $\eta_{tot}$ : 19.1 %  
 Efficiency grade:  $N_{actual} = 23.7 / N_{target} = 21^{**}$   
 \*Rated data:  $P_e$ ,  $I_N$  determined with 180° air deflector  
 \*\*ErP 2015

## Characteristic curve



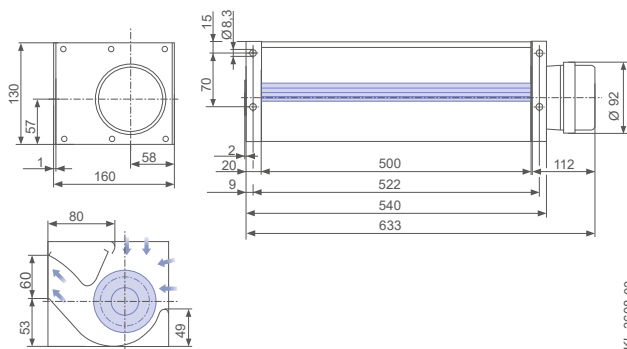
Measured without guide plate 180° according to ISO 5801.

1) Do not operate in this area

Connection diagram 1360-161XA Page 108  
 System components Page 80

## Dimensions mm

Cross flow fan in installation position H



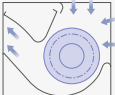
L-KL-3608-03

Type	Characteristic curve	Voltage	Frequency	Operating point	Current	Input power	Speed	Suction side sound power level $L_{WA5}$ dB(A)
		U V	f Hz		I A	$P_e$ W	n min <sup>-1</sup>	
QK08A-2EM.50.CH		230	50	①	0.58	130	2860	69
		230		②	0.68	160	2740	74
		230		③	0.94	220	2440	79
		230	60	①	0.84	190	3360	75
		230		②	1.00	230	3110	77
		230		③	1.00	270	2780	81

### Fan ordering information

Design QK

Installation position H



**Type** QK08A-2EM.50.CH

**Article no.** 205157

Weight kg 4.60

### Control technology

Transformer-based controllers 1~



Page 92