

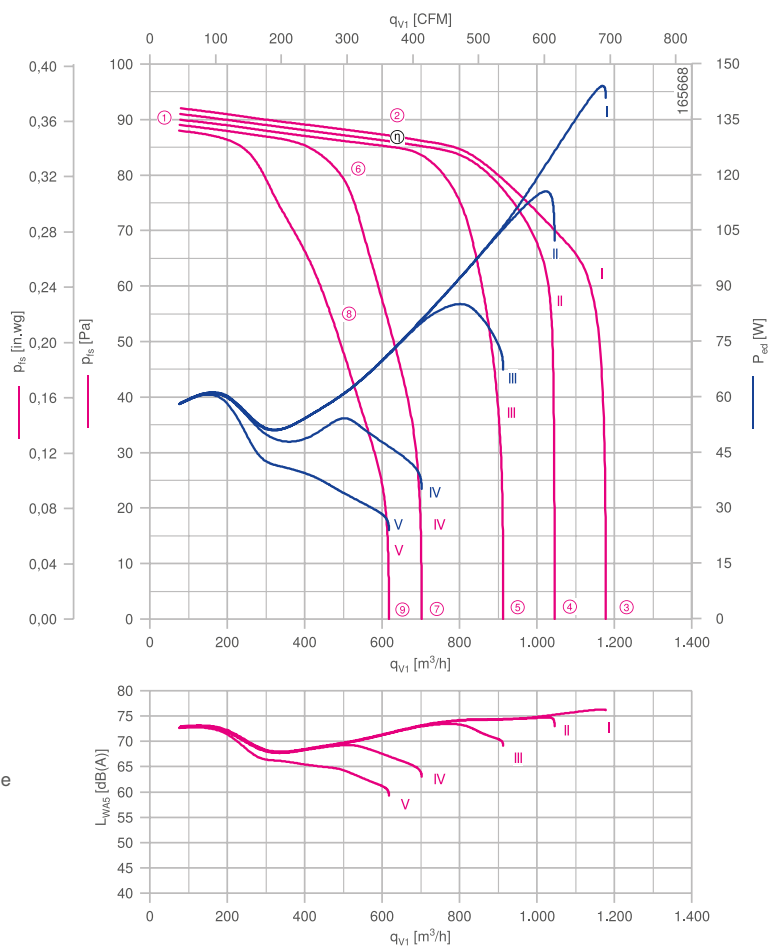
Cross flow fan-ECblue

for single phase alternating current, 200-240 V

QK12A



Characteristic curve



Measured without guide plate 180° according to ISO 5801.

Description

Motor technology: EC

Rated voltage U_N : 1~200-240 V*

Rated frequency f_N : 50/60 Hz*

Input power P_{ed} : 150 W*

Rated current I_N : 1.65-1.40 A*

Rated speed n_N : 1400 min⁻¹*

Thermal class: THCL155*

Min. permitted ambient temperature t_{amb} : -20 °C

Max. permitted ambient temperature t_{amb} at n_{max} : 70 °C

Electrical connection: Connecting cable

Degree of protection: IP54

Motor protection: integrated active temperature management

Impeller made of aluminium

Housing unpainted, Side plates galvanised steel, casing profile

aluminium, guide vane steel

Conformity: CE, UL

ErP-data

Not subject to the regulations of ErP directive ($P_{ed} < 125$ W)

* Rated data: P_{ed} , I_N determined with 180° air deflector

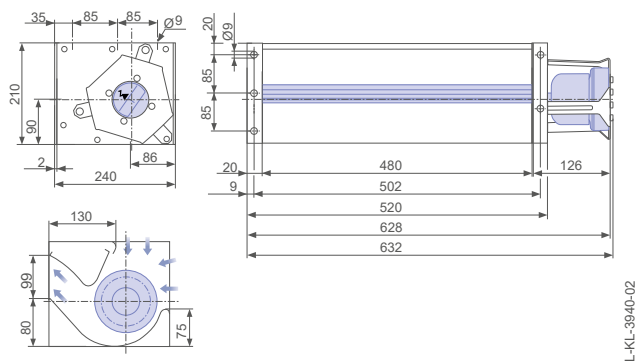
Connection diagram

1360-404

Page 107

Dimensions mm

Cross flow fan in installation position H



L-KL-3940-02



Performance data

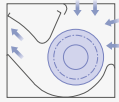
Type	Characteristic curve	Speed	Operating point	Current	Input power	Suction side sound power level
		n min ⁻¹		I A	P _{ed} W	L _{WA5} dB(A)
QK12A-ZIM.48.DD	I	1400	①	0.60	60	73
		1280	②	0.78	75	72
		1150	③	1.35	140	76
	II	1150	④	0.98	100	73
	III	1000	⑤	0.66	65	69
	IV	1300	⑥	0.50	55	69
		800	⑦	0.34	36	63
	V	1110	⑧	0.35	36	65
		700	⑨	0.26	24	59

Current values determined at 230V

Fan ordering information

Design QK

Installation position H



Type **QK12A-ZIM.48.DD**

Article no. **118259**

Weight kg 7.00

Control technology

Control modules



Page 94

Sensor control modules



Page 96

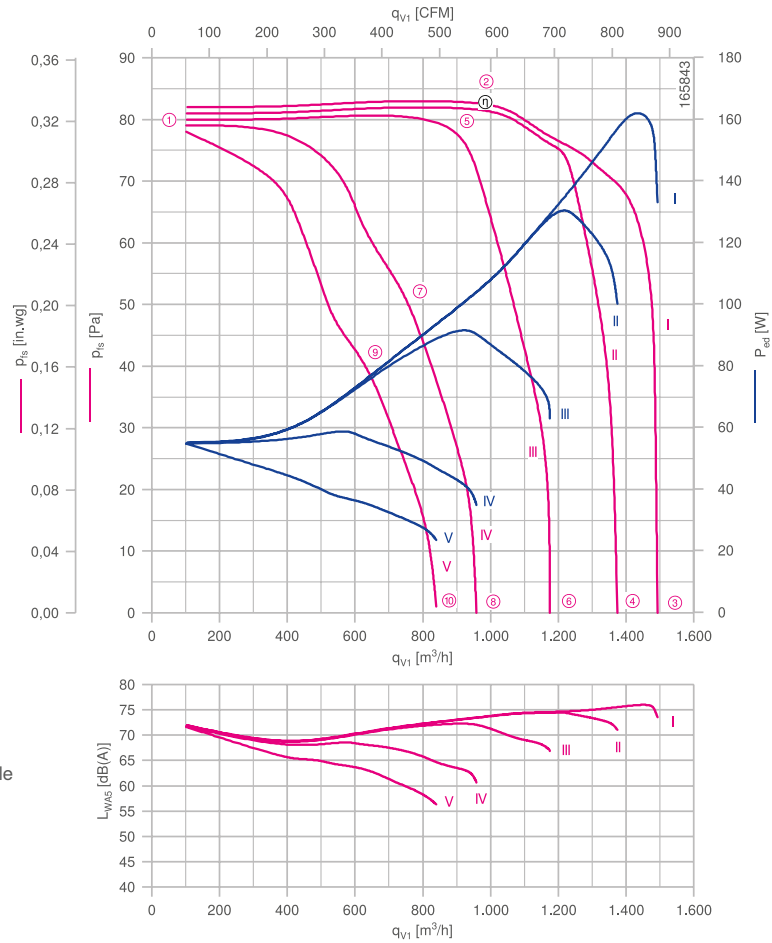
Cross flow fan-ECblue

for single phase alternating current, 200-240 V

QK12A



Characteristic curve



Measured without guide plate 180° according to ISO 5801.

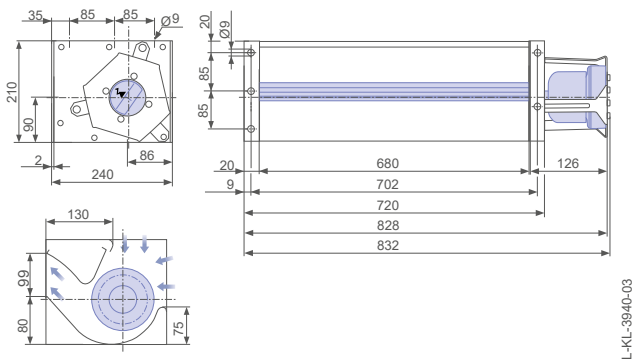
Description

Motor technology: EC
 Rated voltage U_N : 1~200-240 V*
 Rated frequency f_N : 50/60 Hz*
 Input power P_{ed} : 160 W*
 Rated current I_N : 1.75-1.45 A*
 Rated speed n_N : 1360 min⁻¹*
 Thermal class: THCL155*
 Min. permitted ambient temperature t_{amb} : -20 °C
 Max. permitted ambient temperature t_{amb} at n_{max} : 70 °C
 Electrical connection: Connecting cable
 Degree of protection: IP54
 Motor protection: integrated active temperature management
 Impeller made of aluminium
 Housing unpainted, Side plates galvanised steel, casing profile aluminium, guide vane steel
 Conformity: CE, UL
ErP-data
 Not subject to the regulations of ErP directive ($P_{ed} < 125$ W)
 * Rated data: P_{ed} , I_N determined with 180° air deflector

Connection diagram 1360-404 Page 107

Dimensions mm

Cross flow fan in installation position H



Performance data

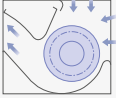
Type	Characteristic curve	Speed	Operating point	Current	Input power	Suction side sound power level
		n min ⁻¹		I A	P _{ed} W	L _{WA5} dB(A)
QK12A-ZIM.68.DD	I	1360	①	0.66	55	72
		1060	②	1.05	110	74
		970	③	1.20	130	74
	II	1340	④	1.00	100	71
		830	⑤	0.90	95	73
	III	1080	⑥	0.64	65	67
		690	⑦	0.54	50	67
	IV	990	⑧	0.40	34	61
		580	⑨	0.38	36	64
	V	580	⑩	0.26	24	56

Current values determined at 230V

Fan ordering information

Design QK

Installation position H





Type QK12A-ZIM.68.DD
Article no. 118260

Weight kg 8.10

Control technology

Control modules Sensor control modules

Page 94 Page 96

- Information
- Cross flow fan, EC-Technology
- Cross flow fan
- System components
- Control technology
- Appendix

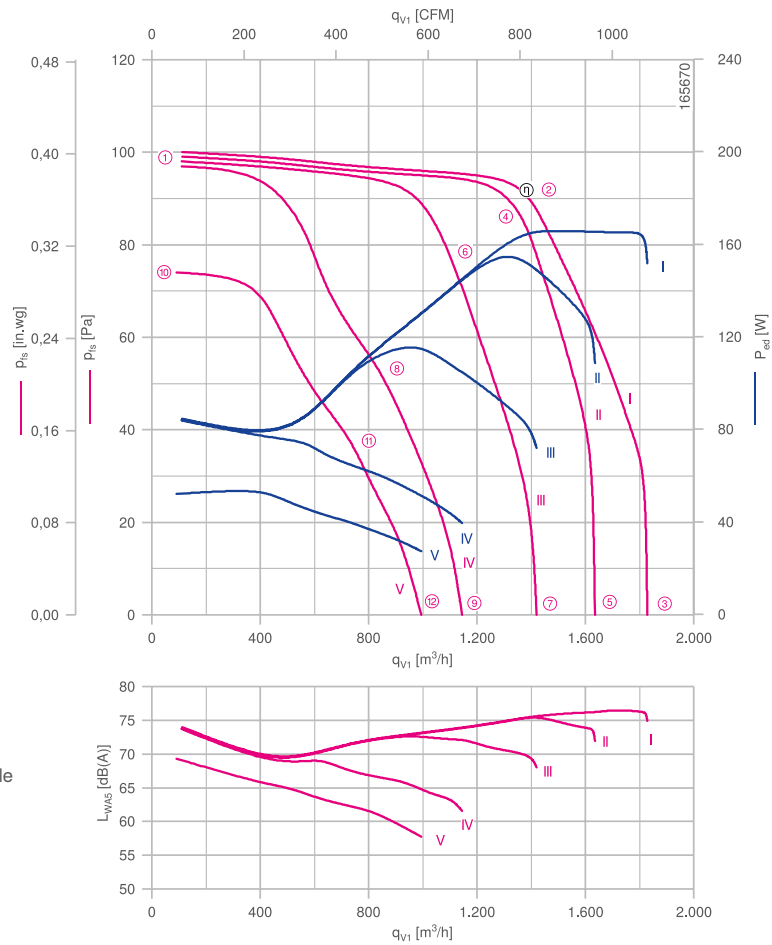
Cross flow fan-ECblue

for single phase alternating current, 200-240 V

QK12A



Characteristic curve



Measured without guide plate 180° according to ISO 5801.

Description

Motor technology: EC
 Rated voltage U_N: 1~200-240 V*
 Rated frequency f_N: 50/60 Hz*
 Input power P_{ed}: 170 W*
 Rated current I_N: 1.70-1.45 A*
 Rated speed n_N: 1470 min⁻¹*
 Thermal class: THCL155*
 Min. permitted ambient temperature t_{amb}: -20 °C
 Max. permitted ambient temperature t_{amb} at n_{max}: 70 °C
 Electrical connection: Connecting cable
 Degree of protection: IP54
 Motor protection: integrated active temperature management
 Impeller made of aluminium
 Housing unpainted, Side plates galvanised steel, casing profile aluminium, guide vane steel
 Conformity: CE, UL

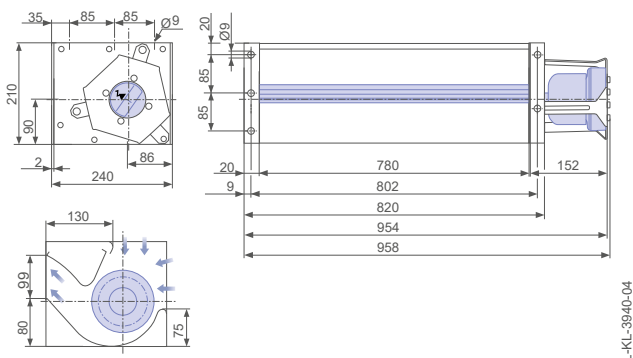
ErP-data

Efficiency η_{tot}: 31.4 %
 Efficiency grade: N_{actual} = 36.1 / N_{target} = 21**
 EC controller integrated

*Rated data: P_{ed}, I_N determined with 180° air deflector
 ** ErP 2015

Dimensions mm

Cross flow fan in installation position H



Performance data

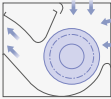
Type	Characteristic curve	Speed	Operating point	Current	Input power	Suction side sound power level
		n min ⁻¹		I A	P _{ed} W	L _{WA5} dB(A)
QK12A-ZIM.78.DK	I	1500	①	0.80	85	74
		1470	②	1.50	170	76
		1080	③	1.40	150	75
	II	1430	④	1.40	150	75
		970	⑤	1.05	110	72
	III	1330	⑥	1.00	110	72
		840	⑦	0.70	70	68
	IV	1100	⑧	0.58	60	67
		660	⑨	0.40	40	62
	V	1250	⑩	0.52	50	69
		930	⑪	0.40	40	62
			610	⑫	0.29	28

Current values determined at 230V

Fan ordering information

Design QK

Installation position H





Type QK12A-ZIM.78.DK
Article no. 118261

Weight kg 9.80

Control technology

Control modules Sensor control modules

Page 94 Page 96

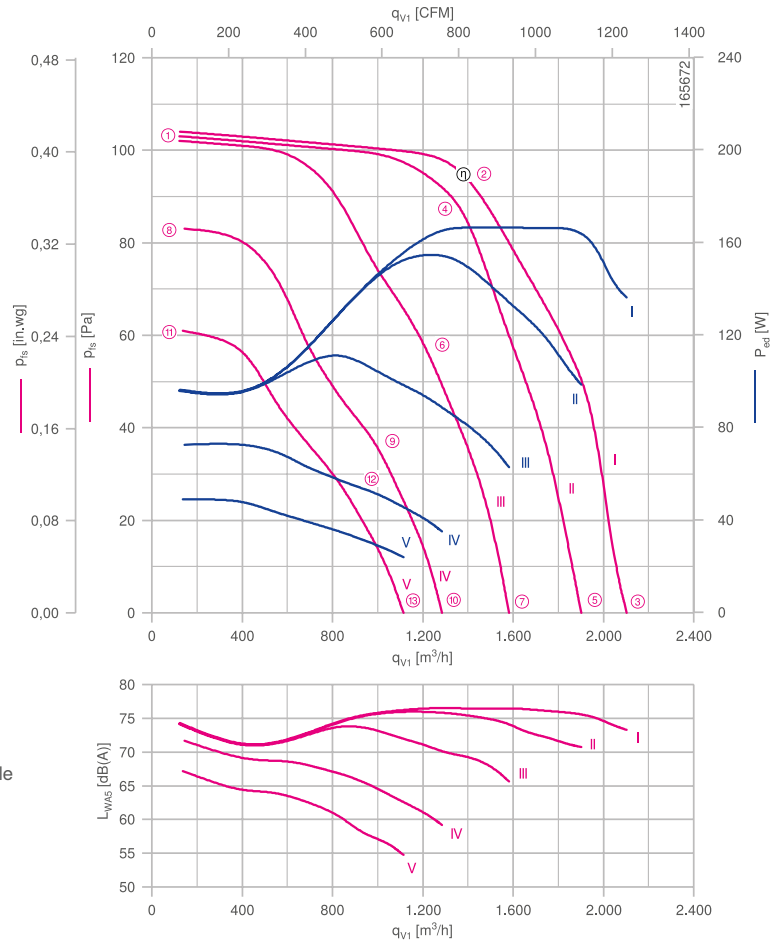
Cross flow fan-ECblue

for single phase alternating current, 200-240 V

QK12A



Characteristic curve



Measured without guide plate 180° according to ISO 5801.

Description

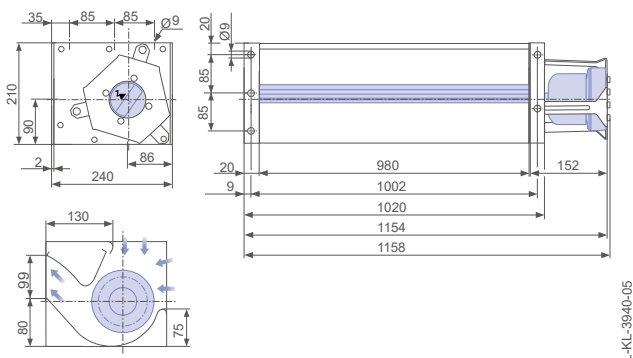
Motor technology: EC
 Rated voltage U_N : 1~200-240 V*
 Rated frequency f_N : 50/60 Hz*
 Input power P_{ed} : 170 W*
 Rated current I_N : 1.65-1.35 A*
 Rated speed n_N : 1430 min⁻¹*
 Thermal class: THCL155*
 Min. permitted ambient temperature t_{amb} : -20 °C
 Max. permitted ambient temperature t_{amb} at n_{max} : 70 °C
 Electrical connection: Connecting cable
 Degree of protection: IP54
 Motor protection: integrated active temperature management
 Impeller made of aluminium
 Housing unpainted, Side plates galvanised steel, casing profile aluminium, guide vane steel
 Conformity: CE, UL

ErP-data

Efficiency η_{tot} : 30.7 %
 Efficiency grade: $N_{actual} = 35.3 / N_{target} = 21^{**}$
 EC controller integrated
 *Rated data: P_{ed} , I_N determined with 180° air deflector
 ** ErP 2015

Dimensions mm

Cross flow fan in installation position H



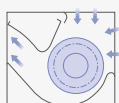
Type	Characteristic curve	Speed	Operating point	Current	Input power	Suction side sound power level
		n min ⁻¹		I A	P _{ed} W	L _{WA5} dB(A)
QK12A-ZIM.98.DK	I	1500	①	0.92	95	74
		1430	②	1.45	170	76
		960	③	1.25	140	73
	II	1380	④	1.30	150	76
		850	⑤	0.92	100	71
	III	1150	⑥	0.86	95	71
		730	⑦	0.58	65	66
	IV	1330	⑧	0.68	70	72
		920	⑨	0.50	50	65
	V	590	⑩	0.35	34	59
		1150	⑪	0.46	48	67
		820	⑫	0.35	36	61
		510	⑬	0.26	24	55

Current values determined at 230V

Fan ordering information

Design QK

Installation position H



Type **QK12A-ZIM.98.DK**

Article no. **118262**

Weight kg 11.00

Control technology

Control modules



Page 94

Sensor control modules



Page 96

Information

Cross flow fan,
EC-technology

Cross flow fan

System
components

Control
technology

Appendix