

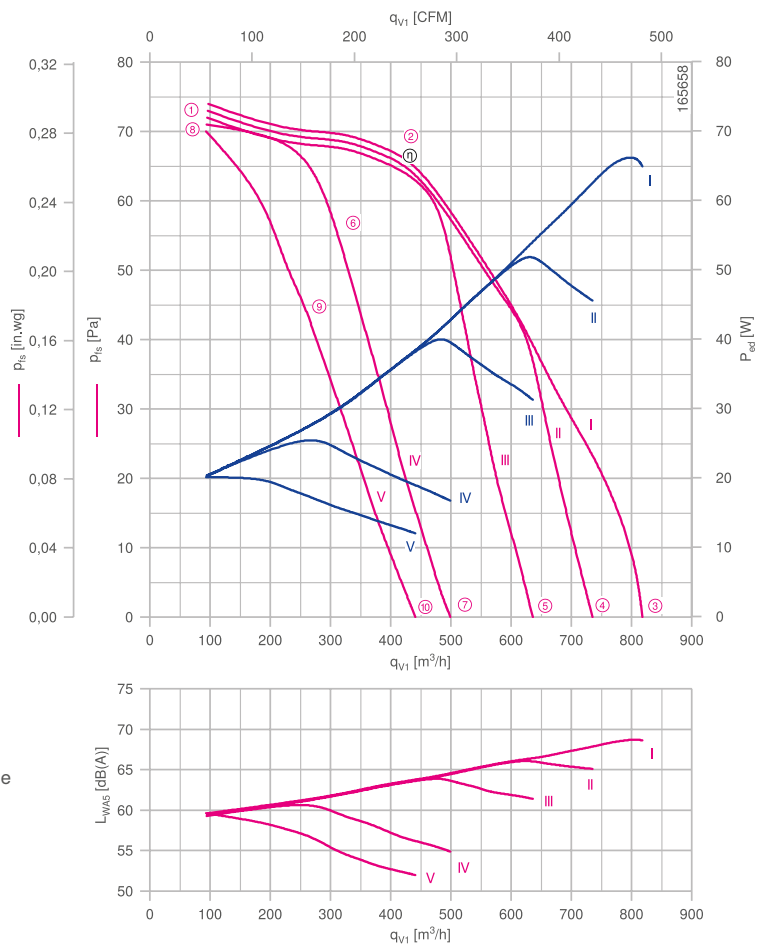
Cross flow fan-ECblue

for single phase alternating current, 200-240 V

QK10A



Characteristic curve



Measured without guide plate 180° according to ISO 5801.

Description

Motor technology: EC
 Rated voltage U_N : 1~200-240 V*
 Rated frequency f_N : 50/60 Hz*
 Input power P_{ed} : 65 W*
 Rated current I_N : 0.78-0.66 A*
 Rated speed n_N : 1590 min⁻¹*
 Thermal class: THCL155*
 Min. permitted ambient temperature t_{amb} : -20 °C
 Max. permitted ambient temperature t_{amb} at n_{max} : 70 °C
 Electrical connection: Connecting cable
 Degree of protection: IP54
 Motor protection: integrated active temperature management
 Impeller made of aluminium
 Housing unpainted, Side plates galvanised steel, casing profile aluminium, guide vane steel
 Conformity: CE, UL

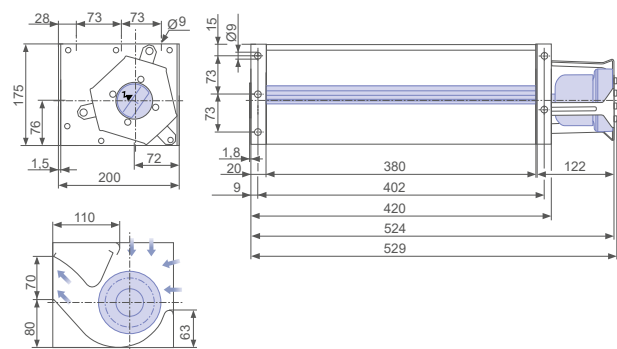
ErP-data

Not subject to the regulations of ErP directive ($P_{ed} < 125$ W)
 * Rated data: P_{ed} , I_N determined with 180° air deflector

Connection diagram 1360-404 Page 107

Dimensions mm

Cross flow fan in installation position H



L-KL-3939-01



Performance data

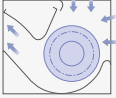
Type	Characteristic curve	Speed	Operating point	Current	Input power	Suction side sound power level
		n min ⁻¹		I A	P _{ed} W	L _{WA5} dB(A)
QK10A-4IM.38.BF	I	1620	①	0.20	20	60
		1540	②	0.56	55	66
		1360	③	0.66	65	69
	II	1200	④	0.48	46	65
	III	1470	⑤	0.31	32	61
	IV	1470	⑥	0.24	24	60
		940	⑦	0.18	17	55
		1620	⑧	0.21	20	60
		1300	⑨	0.18	18	57
	V	820	⑩	0.14	12	52

Current values determined at 230V

Fan ordering information

Design QK

Installation position H





Type QK10A-4IM.38.BF
Article no. 118253

Weight kg 4.30

Control technology

Control modules Sensor control modules

Page 94 Page 96

- Information
- Cross flow fan, EC-Technology
- Cross flow fan
- System components
- Control technology
- Appendix

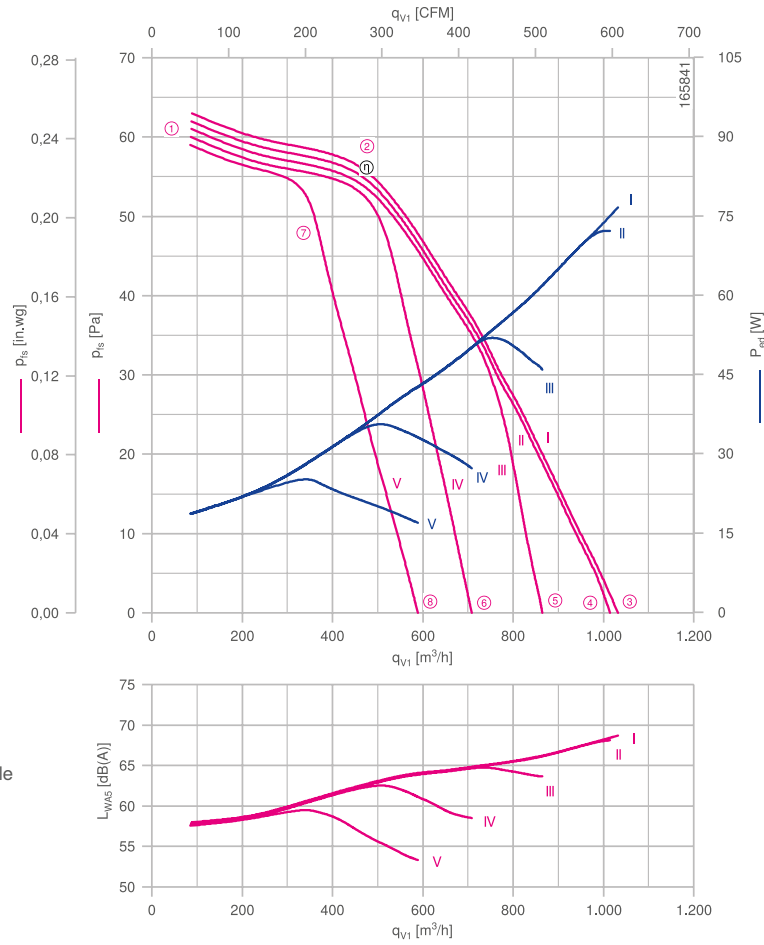
Cross flow fan-ECblue

for single phase alternating current, 200-240 V

QK10A



Characteristic curve



Measured without guide plate 180° according to ISO 5801.

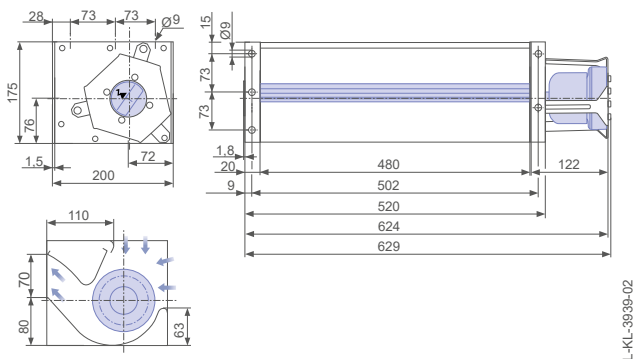
Description

Motor technology: EC
 Rated voltage U_N : 1~200-240 V*
 Rated frequency f_N : 50/60 Hz*
 Input power P_{ed} : 75 W*
 Rated current I_N : 0.80-0.66 A*
 Rated speed n_N : 1500 min^{-1} *
 Thermal class: THCL155*
 Min. permitted ambient temperature t_{amb} : -20 °C
 Max. permitted ambient temperature t_{amb} at n_{max} : 70 °C
 Electrical connection: Connecting cable
 Degree of protection: IP54
 Motor protection: integrated active temperature management
 Impeller made of aluminium
 Housing unpainted, Side plates galvanised steel, casing profile aluminium, guide vane steel
 Conformity: CE, UL
ErP-data
 Not subject to the regulations of ErP directive ($P_{ed} < 125$ W)
 * Rated data: P_{ed} , I_N determined with 180° air deflector

Connection diagram 1360-404 Page 107

Dimensions mm

Cross flow fan in installation position H



L-KL-3939-02

Performance data

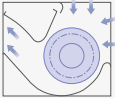
Type	Characteristic curve	Speed	Operating point	Current	Input power	Suction side sound power level
		n min ⁻¹		I A	P _{ed} W	L _{WA5} dB(A)
QK10A-4IM.48.BF	I	1500	①	0.20	19	58
			②	0.37	36	63
			③	0.70	75	69
	II	1470	④	0.66	70	68
	III	1260	⑤	0.46	46	64
	IV	1040	⑥	0.28	28	59
	V	1360	⑦	0.26	24	59
		870	⑧	0.17	17	53

Current values determined at 230V

Fan ordering information

Design QK

Installation position H





Type QK10A-4IM.48.BF
Article no. 118254

Weight kg 4.70

Control technology

Control modules Sensor control modules

Page 94 Page 96

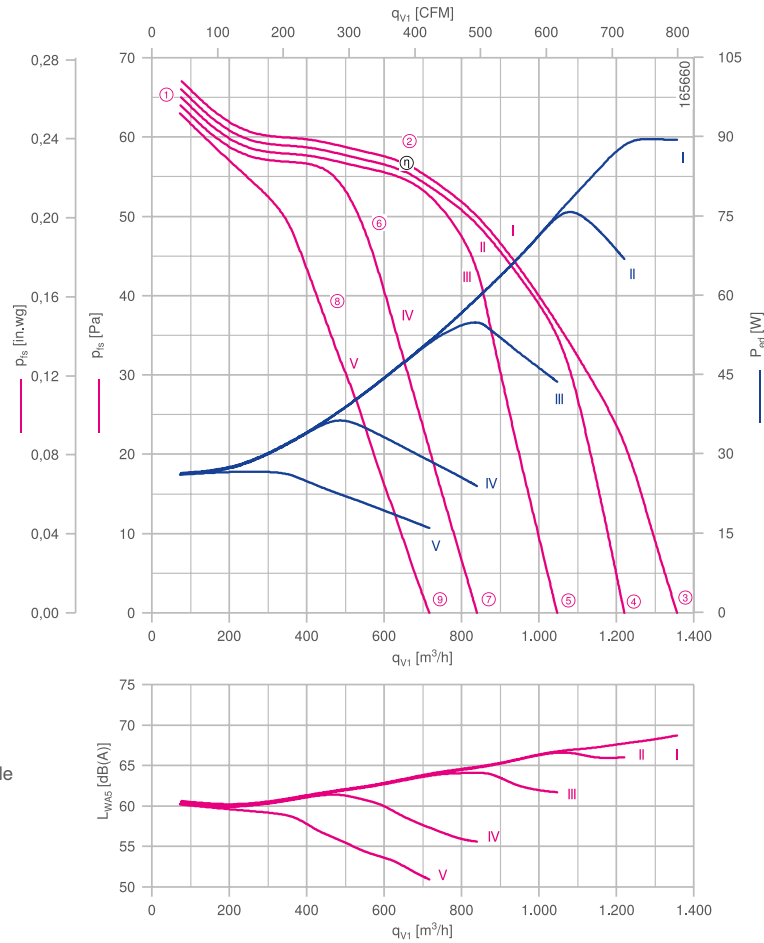
Cross flow fan-ECblue

for single phase alternating current, 200-240 V

QK10A



Characteristic curve



Measured without guide plate 180° according to ISO 5801.

Description

Motor technology: EC
 Rated voltage U_N : 1~200-240 V*
 Rated frequency f_N : 50/60 Hz*
 Input power P_{ed} : 90 W*
 Rated current I_N : 0.86-0.72 A*
 Rated speed n_N : 1440 min⁻¹*
 Thermal class: THCL155*
 Min. permitted ambient temperature t_{amb} : -20 °C
 Max. permitted ambient temperature t_{amb} at n_{max} : 70 °C
 Electrical connection: Connecting cable
 Degree of protection: IP54
 Motor protection: integrated active temperature management
 Impeller made of aluminium
 Housing unpainted, Side plates galvanised steel, casing profile aluminium, guide vane steel
 Conformity: CE, UL

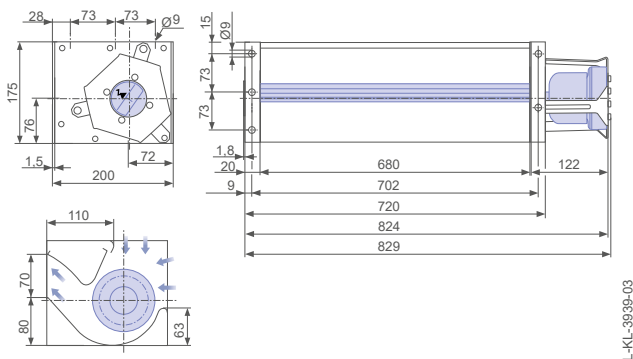
ErP-data

Not subject to the regulations of ErP directive ($P_{ed} < 125$ W)
 * Rated data: P_{ed} , I_N determined with 180° air deflector

Connection diagram 1360-404 Page 107

Dimensions mm

Cross flow fan in installation position H



Performance data

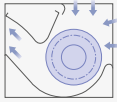
Type	Characteristic curve	Speed	Operating point	Current	Input power	Suction side sound power level
		n min ⁻¹		I A	P _{ed} W	L _{WA5} dB(A)
QK10A-4IM.68.BF	I	1500	①	0.27	26	61
		1380	②	0.46	48	63
		1250	③	0.74	90	69
	II	1080	④	0.62	65	66
		1380	⑤	0.44	44	62
	IV	1380	⑥	0.35	36	61
		870	⑦	0.25	24	56
	V	1220	⑧	0.25	24	57
		740	⑨	0.17	16	51

Current values determined at 230V

Fan ordering information

Design QK

Installation position H



Type **QK10A-4IM.68.BF**

Article no. **118255**

Weight kg 5.50

Control technology

Control modules



Page 94

Sensor control modules



Page 96

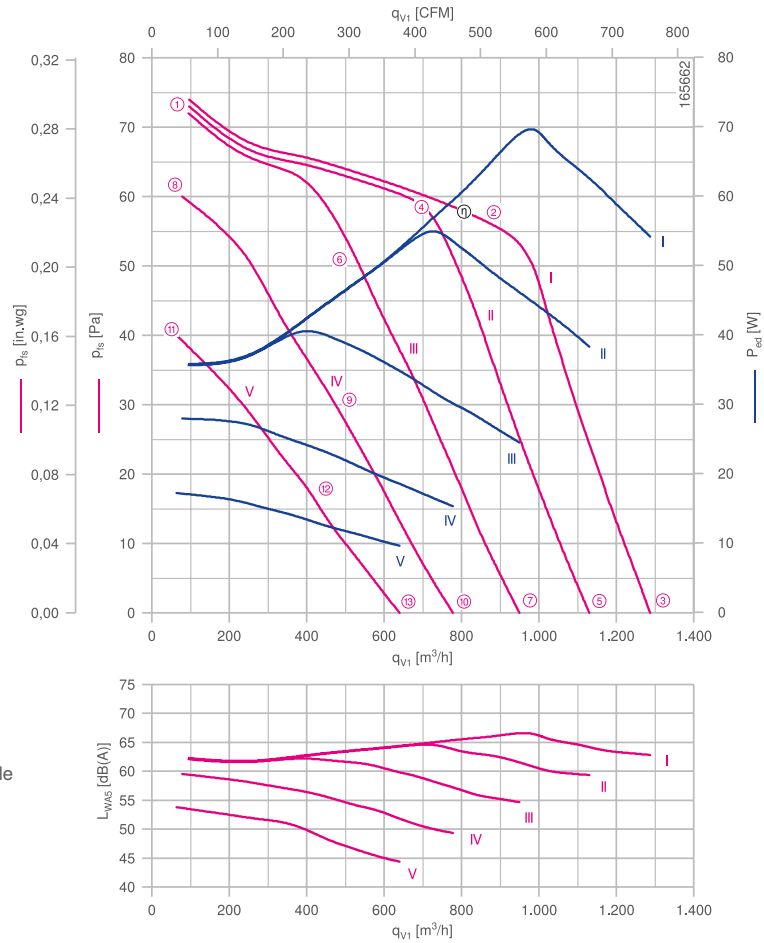
Cross flow fan-ECblue

for single phase alternating current, 200-240 V

QK10A



Characteristic curve



Measured without guide plate 180° according to ISO 5801.

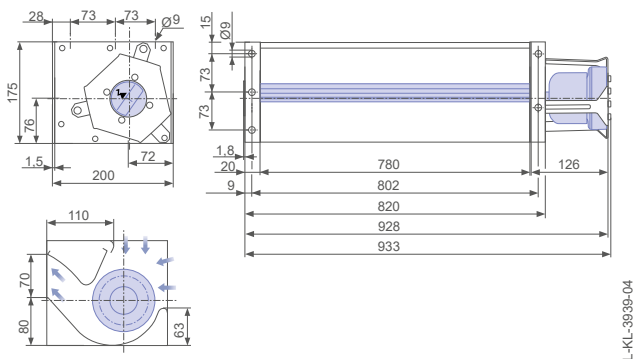
Description

- Motor technology: EC
- Rated voltage U_N : 1~200-240 V*
- Rated frequency f_N : 50/60 Hz*
- Input power P_{ed} : 70 W*
- Rated current I_N : 0.78-0.64 A*
- Rated speed n_N : 1570 min⁻¹*
- Thermal class: THCL155*
- Min. permitted ambient temperature t_{amb} : -20 °C
- Max. permitted ambient temperature t_{amb} at n_{max} : 70 °C
- Electrical connection: Connecting cable
- Degree of protection: IP54
- Motor protection: integrated active temperature management
- Impeller made of aluminium
- Housing unpainted, Side plates galvanised steel, casing profile aluminium, guide vane steel
- Conformity: CE, UL
- ErP-data**
- Not subject to the regulations of ErP directive ($P_{ed} < 125$ W)
- * Rated data: P_{ed} , I_N determined with 180° air deflector

Connection diagram 1360-404 Page 107

Dimensions mm

Cross flow fan in installation position H



L-KL-3939-04

Performance data

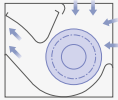
Type	Characteristic curve	Speed	Operating point	Current	Input power	Suction side sound power level
		n min ⁻¹		I A	P _{ed} W	L _{WA5} dB(A)
QK10A-ZIM.78.DD	I	1590	①	0.36	36	62
			②	0.58	60	66
		1180	③	0.52	55	63
	II	1590	④	0.52	55	65
		1040	⑤	0.39	38	59
	III	1440	⑥	0.38	38	62
		870	⑦	0.26	24	55
	IV	1430	⑧	0.29	28	60
		1140	⑨	0.24	22	55
	V	720	⑩	0.17	15	49
		1190	⑪	0.19	17	54
		880	⑫	0.15	13	50
		590	⑬	0.12	10	44

Current values determined at 230V

Fan ordering information

Design QK

Installation position H



Type QK10A-ZIM.78.DD

Article no. 118256

Weight kg 6.60

Control technology

Control modules



Page 94

Sensor control modules



Page 96

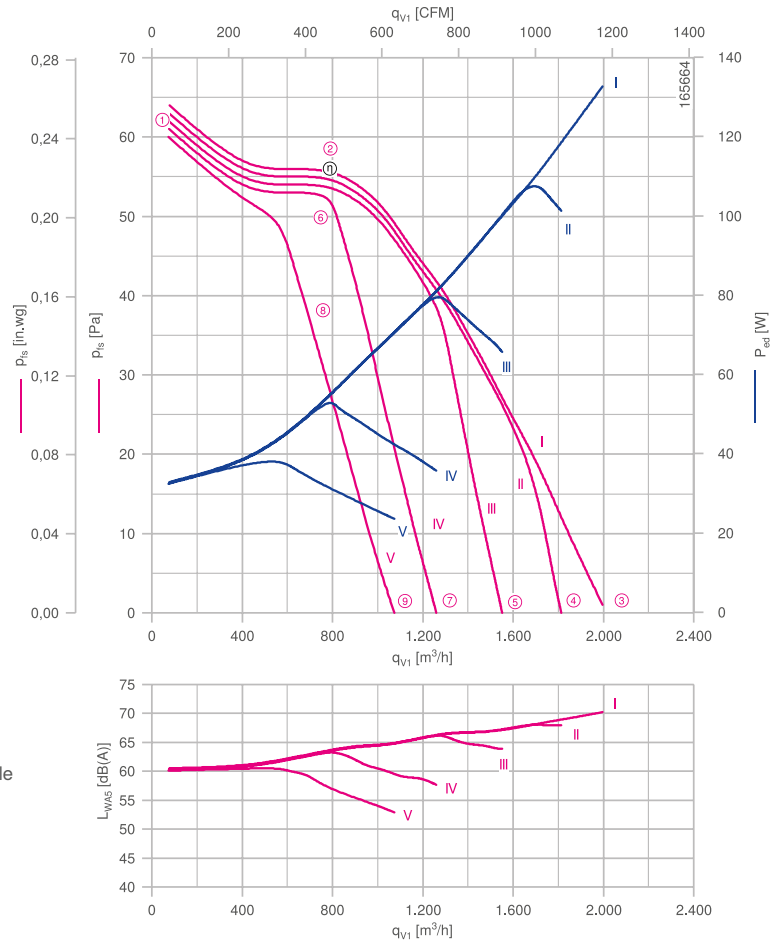
Cross flow fan-ECblue

for single phase alternating current, 200-240 V

QK10A



Characteristic curve



Measured without guide plate 180° according to ISO 5801.

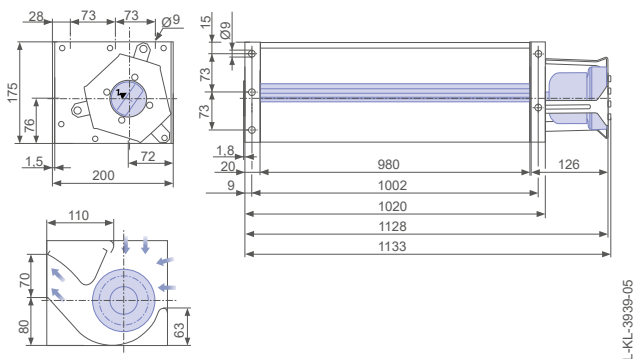
Description

- Motor technology: EC
- Rated voltage U_N : 1~200-240 V*
- Rated frequency f_N : 50/60 Hz*
- Input power P_{ed} : 130 W*
- Rated current I_N : 1.40-1.15 A*
- Rated speed n_N : 1450 min⁻¹*
- Thermal class: THCL155*
- Min. permitted ambient temperature t_{amb} : -20 °C
- Max. permitted ambient temperature t_{amb} at n_{max} : 70 °C
- Electrical connection: Connecting cable
- Degree of protection: IP54
- Motor protection: integrated active temperature management
- Impeller made of aluminium
- Housing unpainted, Side plates galvanised steel, casing profile aluminium, guide vane steel
- Conformity: CE, UL
- ErP-data**
- Not subject to the regulations of ErP directive ($P_{ed} < 125$ W)
- * Rated data: P_{ed} , I_N determined with 180° air deflector

Connection diagram 1360-404 Page 107

Dimensions mm

Cross flow fan in installation position H



L-KL-3939-05

Performance data

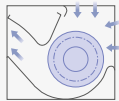
Type	Characteristic curve	Speed	Operating point	Current	Input power	Suction side sound power level
		n min ⁻¹		I A	P _{ed} W	L _{WA5} dB(A)
QK10A-ZIM.98.DD	I	1450	①	0.33	32	61
			②	0.94	100	67
			③	1.20	130	70
	II	1320	④	0.92	100	68
	III	1140	⑤	0.62	65	64
	IV	1390	⑥	0.48	50	63
			⑦	0.35	36	58
	V	1200	⑧	0.35	34	60
			⑨	0.25	24	53

Current values determined at 230V

Fan ordering information

Design QK

Installation position H



Type QK10A-ZIM.98.DD

Article no. 118257

Weight kg 7.40

Control technology

Control modules



Page 94

Sensor control modules



Page 96

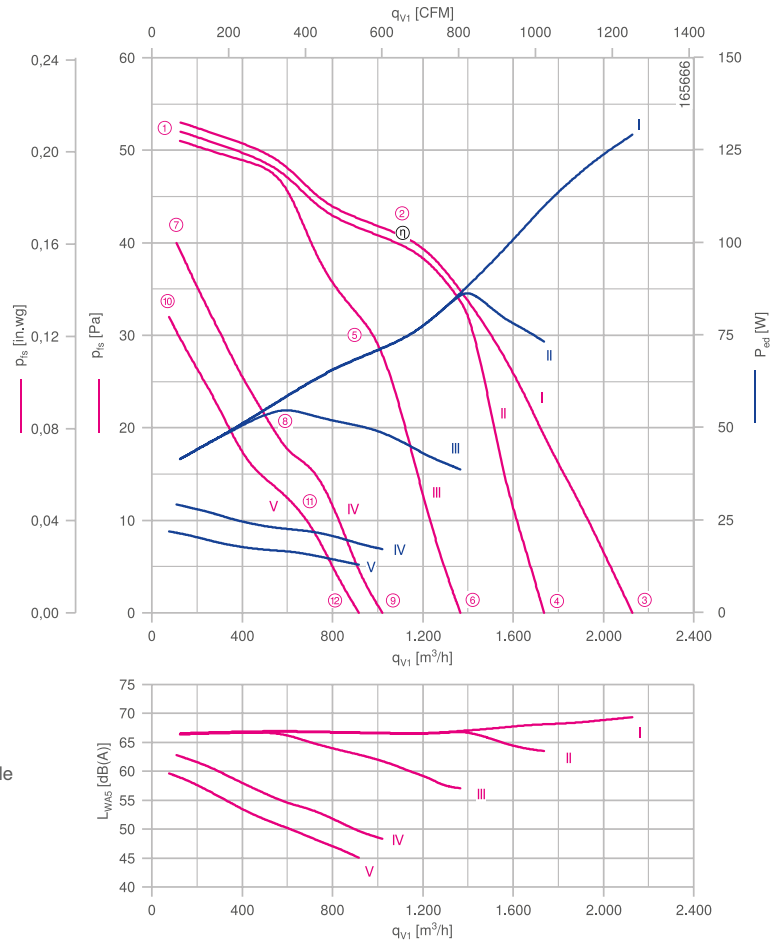
Cross flow fan-ECblue

for single phase alternating current, 200-240 V

QK10A



Characteristic curve



Measured without guide plate 180° according to ISO 5801.

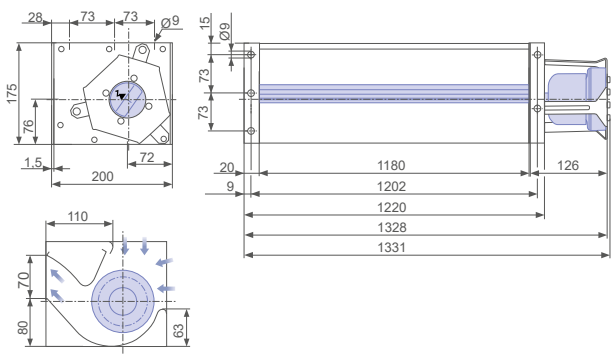
Description

- Motor technology: EC
- Rated voltage U_N : 1~200-240 V*
- Rated frequency f_N : 50/60 Hz*
- Input power P_{ed} : 130 W*
- Rated current I_N : 1.35-1.15 A*
- Rated speed n_N : 1380 min⁻¹*
- Thermal class: THCL155*
- Min. permitted ambient temperature t_{amb} : -20 °C
- Max. permitted ambient temperature t_{amb} at n_{max} : 70 °C
- Electrical connection: Connecting cable
- Degree of protection: IP54
- Motor protection: integrated active temperature management
- Impeller made of aluminium
- Housing unpainted, Side plates galvanised steel, casing profile aluminium, guide vane steel
- Conformity: CE, UL
- ErP-data**
- Not subject to the regulations of ErP directive ($P_{ed} < 125$ W)
- * Rated data: P_{ed} , I_N determined with 180° air deflector

Connection diagram 1360-404 Page 107

Dimensions mm

Cross flow fan in installation position H



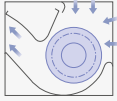
Type	Characteristic curve	Speed	Operating point	Current	Input power	Suction side sound power level
		n min ⁻¹		I A	P _{ed} W	L _{WA5} dB(A)
QK10A-ZIM.B8.DD	I	1400	①	0.42	42	67
		1380	②	0.82	85	67
		1140	③	1.20	130	69
	II	1140	④	0.70	75	64
		1210	⑤	0.48	50	62
	III	910	⑥	0.39	38	57
		1220	⑦	0.31	30	63
	IV	890	⑧	0.24	22	53
		670	⑨	0.19	17	48
		1090	⑩	0.24	22	60
	V	790	⑪	0.19	16	50
		600	⑫	0.15	13	45

Current values determined at 230V

Fan ordering information

Design QK

Installation position H



Type **QK10A-ZIM.B8.DD**

Article no. **118258**

Weight kg 8.30

Control technology

Control modules



Page 94

Sensor control modules



Page 96