

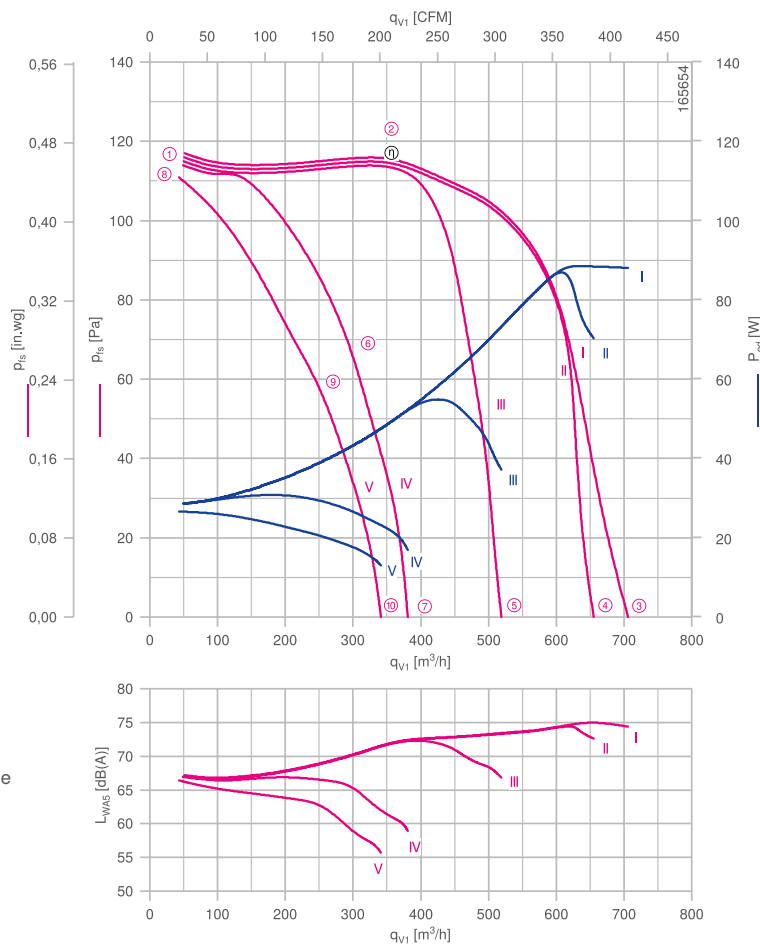
Cross flow fan-ECblue

for single phase alternating current, 200-240 V

QK08A



Characteristic curve



Measured without guide plate 180° according to ISO 5801.

Description

Motor technology: EC
 Rated voltage U_N : 1~200-240 V*
 Rated frequency f_N : 50/60 Hz*
 Input power P_{ed} : 90 W*
 Rated current I_N : 0.90-0.74 A*
 Rated speed n_N : 2650 min⁻¹*
 Thermal class: THCL155*
 Min. permitted ambient temperature t_{amb} : -20 °C
 Max. permitted ambient temperature t_{amb} at n_{max} : 70 °C
 Electrical connection: Connecting cable
 Degree of protection: IP54
 Motor protection: integrated active temperature management
 Impeller made of aluminium
 Housing unpainted, Side plates galvanised steel, casing profile aluminium, guide vane steel
 Conformity: CE, UL

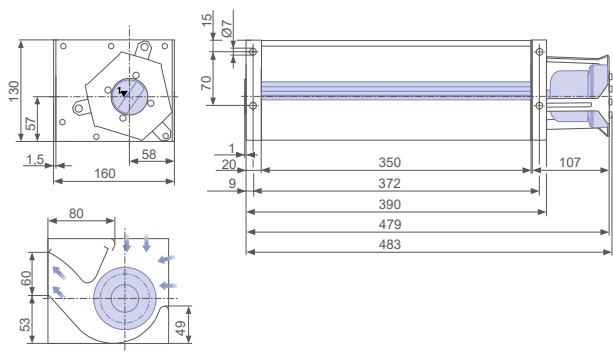
ErP-data

Not subject to the regulations of ErP directive ($P_{ed} < 125$ W)
 * Rated data: P_{ed} , I_N determined with 180° air deflector

Connection diagram 1360-404 Page 107

Dimensions mm

Cross flow fan in installation position H



L-KL-3938-01



Performance data

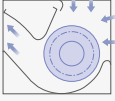
Type	Characteristic curve	Speed	Operating point	Current	Input power	Suction side sound power level
		n min ⁻¹		I A	P _{ed} W	L _{WA5} dB(A)
QK08A-4IM.35.BC	I	2710	①	0.31	28	67
		2700	②	0.50	50	72
		2150	③	0.78	90	74
	II	2010	④	0.68	70	73
		1610	⑤	0.40	38	67
	IV	2130	⑥	0.31	26	66
		1210	⑦	0.21	17	59
	V	2660	⑧	0.25	26	66
		1980	⑨	0.20	20	63
		1090	⑩	0.14	13	56

Current values determined at 230V

Fan ordering information

Design QK

Installation position H





Type QK08A-4IM.35.BC
Article no. 118250

Weight kg 2.90

Control technology

Control modules Sensor control modules

Page 94 Page 96

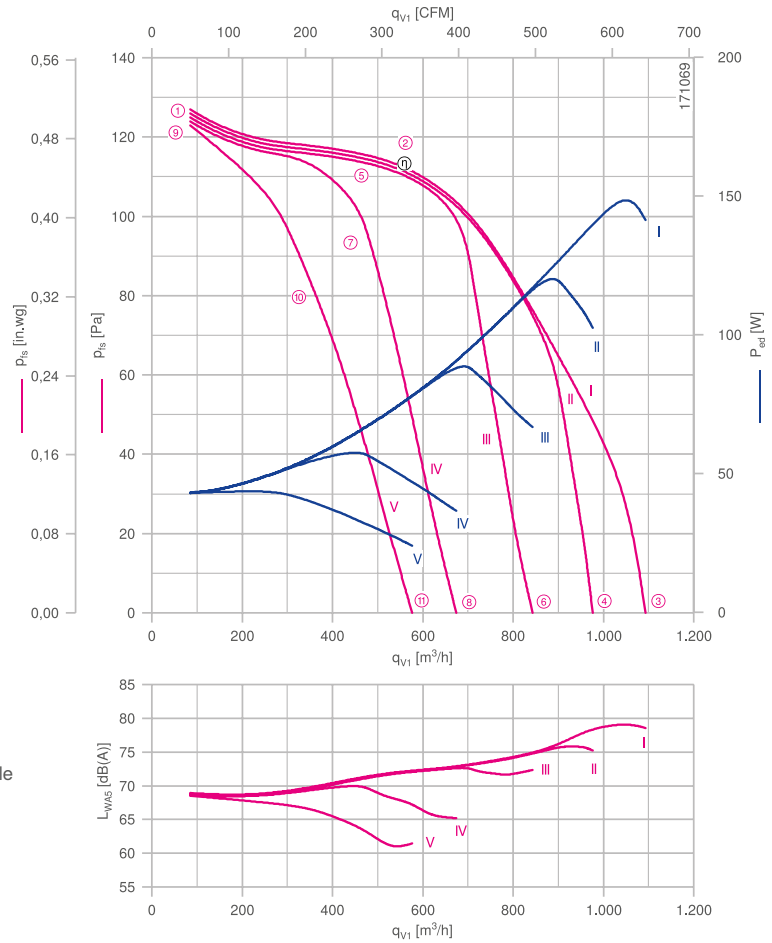
Cross flow fan-ECblue

for single phase alternating current, 200-240 V

QKOBA



Characteristic curve



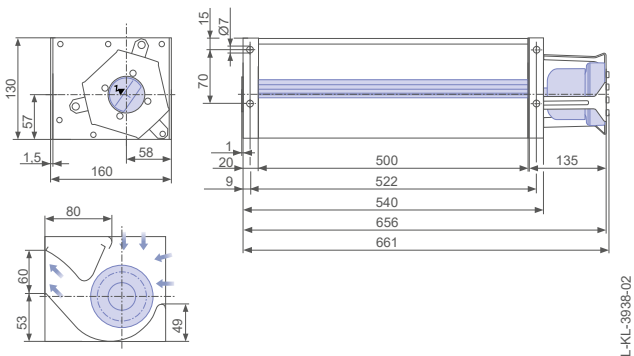
Measured without guide plate 180° according to ISO 5801.

Description

- Motor technology: EC
- Rated voltage U_N : 1~200-240 V*
- Rated frequency f_N : 50/60 Hz*
- Input power P_{ed} : 150 W*
- Rated current I_N : 1.55-1.30 A*
- Rated speed n_N : 2770 min⁻¹*
- Thermal class: THCL155*
- Min. permitted ambient temperature t_{amb} : -20 °C
- Max. permitted ambient temperature t_{amb} at n_{max} : 70 °C
- Electrical connection: Connecting cable
- Degree of protection: IP54
- Motor protection: integrated active temperature management
- Impeller made of aluminium
- Housing unpainted, Side plates galvanised steel, casing profile aluminium, guide vane steel
- Conformity: CE, UL
- ErP-data**
- Not subject to the regulations of ErP directive ($P_{ed} < 125$ W)
- * Rated data: P_{ed} , I_N determined with 180° air deflector

Dimensions mm

Cross flow fan in installation position H



L-KL-3938-02

Performance data

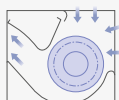
Type	Characteristic curve	Speed	Operating point	Current	Input power	Suction side sound power level
		n min ⁻¹		I A	P _{ed} W	L _{WA5} dB(A)
QK08A-4IM.50.BF	I	2800	①	0.46	44	69
			②	0.74	75	72
		2560	③	1.25	140	79
	II	2300	④	0.94	100	75
		2800	⑤	0.74	75	72
		1970	⑥	0.66	65	72
	III	2550	⑦	0.58	55	70
		1590	⑧	0.40	36	65
		2790	⑨	0.46	42	69
	IV	2330	⑩	0.42	40	66
		1350	⑪	0.28	24	62

Current values determined at 230V

Fan ordering information

Design QK

Installation position H



Type **QK08A-4IM.50.BF**

Article no. **118251**

Weight kg 3.90

Control technology

Control modules



Page 94

Sensor control modules



Page 96

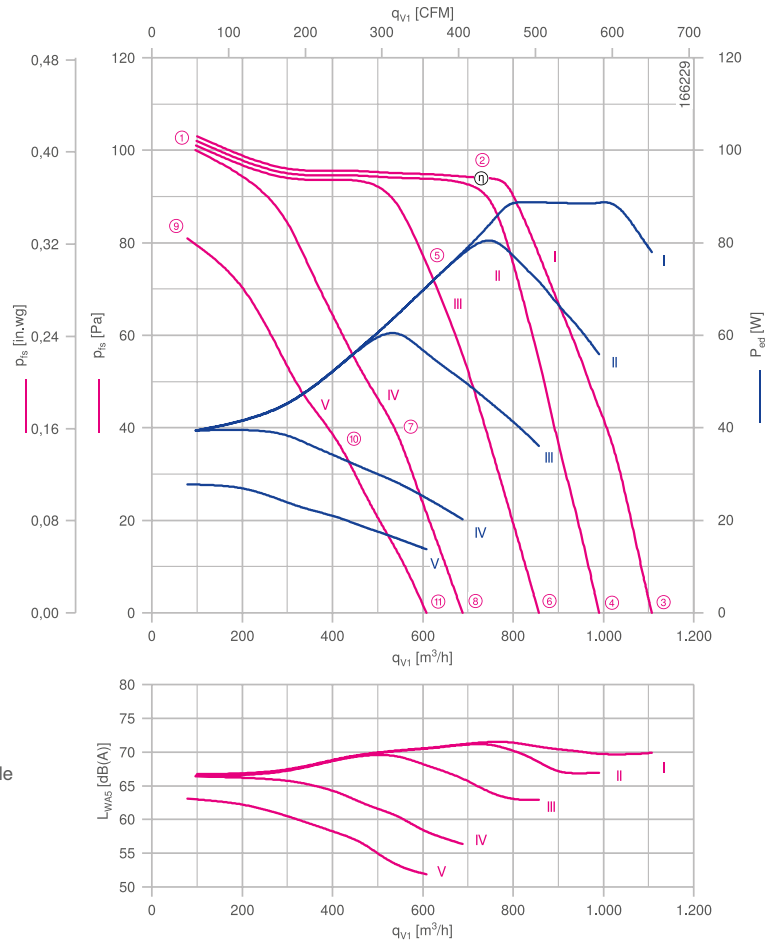
Cross flow fan-ECblue

for single phase alternating current, 200-240 V

QK08A



Characteristic curve



Measured without guide plate 180° according to ISO 5801.

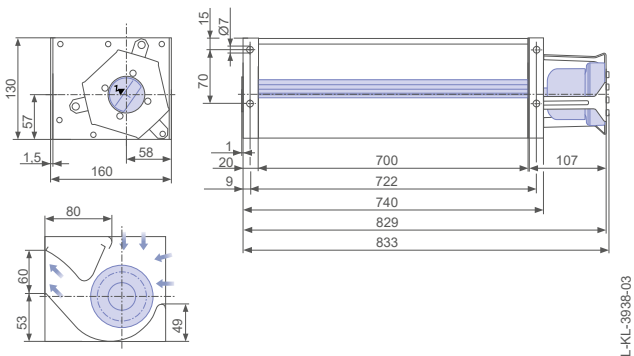
Description

- Motor technology: EC
- Rated voltage U_N : 1~200-240 V*
- Rated frequency f_N : 50/60 Hz*
- Input power P_{ed} : 90 W*
- Rated current I_N : 0.96-0.80 A*
- Rated speed n_N : 2460 min^{-1} *
- Thermal class: THCL155*
- Min. permitted ambient temperature t_{amb} : -20 °C
- Max. permitted ambient temperature t_{amb} at n_{max} : 70 °C
- Electrical connection: Connecting cable
- Degree of protection: IP54
- Motor protection: integrated active temperature management
- Impeller made of aluminium
- Housing unpainted, Side plates galvanised steel, casing profile aluminium, guide vane steel
- Conformity: CE, UL
- ErP-data**
- Not subject to the regulations of ErP directive ($P_{ed} < 125$ W)
- * Rated data: P_{ed} , I_N determined with 180° air deflector

Connection diagram 1360-404 Page 107

Dimensions mm

Cross flow fan in installation position H



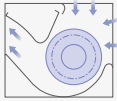
Type	Characteristic curve	Speed	Operating point	Current	Input power	Suction side sound power level
		n min ⁻¹		I A	P _{ed} W	L _{WA5} dB(A)
QK08A-4IM.70.BC	I	2500	①	0.37	40	67
		1710	②	0.78	80	72
		1530	③	0.76	80	70
	II	1300	④	0.52	55	67
		2260	⑤	0.52	55	68
	III	1300	⑥	0.34	36	63
		1640	⑦	0.27	28	61
	IV	1070	⑧	0.19	20	56
		2220	⑨	0.25	28	63
	V	1570	⑩	0.20	20	58
		930	⑪	0.14	14	52

Current values determined at 230V

Fan ordering information

Design QK

Installation position H



Type **QK08A-4IM.70.BC**

Article no. **118252**

Weight kg 4.00

Control technology

Control modules



Page 94

Sensor control modules



Page 96