

Dry transformer cooling  
129530

Fans for transformer cooling  
129530

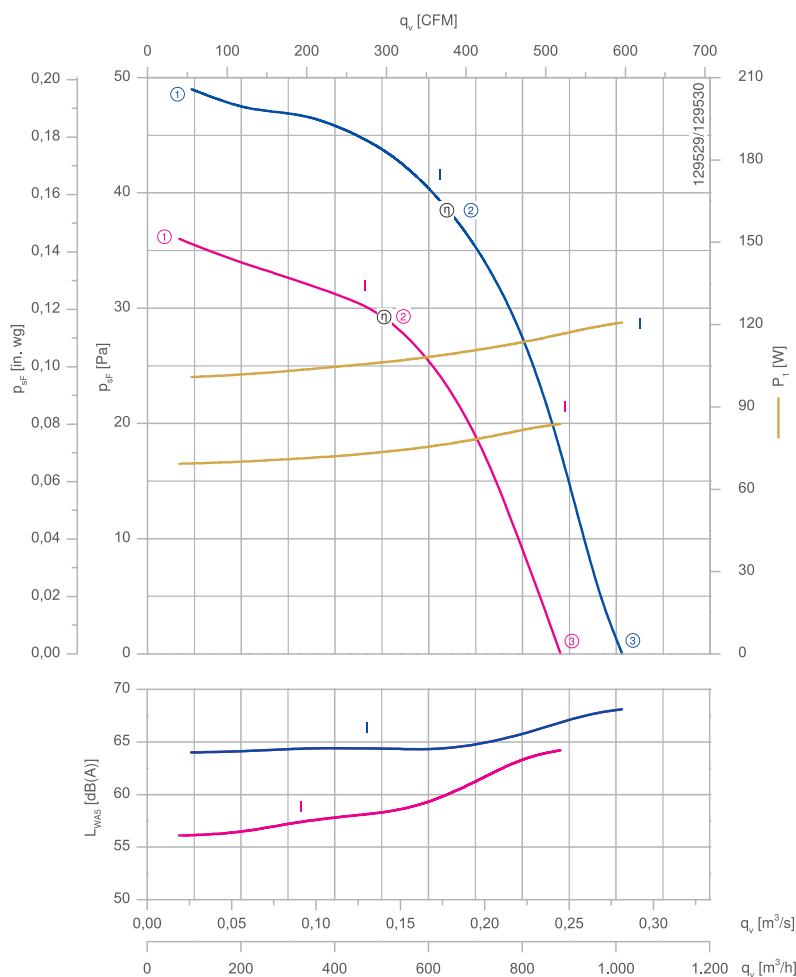
# Cross flow fan

for single phase alternating current, 4 pole

QK08A-4E



Characteristic curve



Measured without guide plate 180° according to ISO 5801.

Connection diagram 1360-161XA Page 253  
OHNE

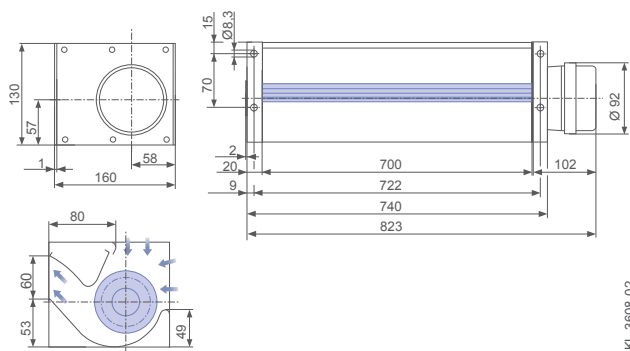
Airflow direction

## Description

Motor technology: AC  
 \*Rated voltage  $U_N$ : 1~ 230 V  $\pm 10\%$ \*  
 Rated frequency  $f_N$ : 50 Hz | 60 Hz\*  
 Input power  $P_i$ :  
 90 W | 130 W\*  
 Rated current  $I_N$ :  
 0,39 A | 0,56 A\*  
 Rated speed  $n_N$ :  
 1380 min<sup>-1</sup> | 1580 min<sup>-1</sup>\*  
 Service capacitor  $C_{400V}$ : 3,0  $\mu F$   
 Thermal class: THCL130\*  
 Min. permitted ambient temperature  $t_{R(min)}$ : -20 °C  
 Max. permitted ambient temperature  $t_{R(max)}$ : 70 °C  
 Electrical connection: Prewired to a terminal strip, capacitor fitted and connected  
 Degree of protection : IP10  
 Impeller : aluminium  
 Housing: Side plates galvanized steel, casing profile aluminium, guide vane steel uncoated  
 Conformity: CE  
**ErP-data**  
 Not subject to the regulations of ErP directive ( $P_i < 125$  W)  
 \* Rated data;  $P_i$ ,  $I_N$  determined at 180° guide plates

## Dimensions mm

### Crossflow fan

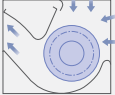


L-KL-3608-02



Type	Characteristic curve	Voltage	Frequency	Operating point	Current	Input power	Speed	Suction side sound power level $L_{WA5}$ dB(A)
		U V	f Hz		I A	$P_1$ W	n min <sup>-1</sup>	
QK08A-4EM.70.CF	I	230	50	①	0.31	70	1460	56
	I	230		②	0.33	75	1430	58
	I	230*		③	0.37*	85*	1380*	64
	I	230	60	①	0.44	100	1740	64
	I	230		②	0.48	110	1680	64
	I	230*		③	0.54*	120*	1580*	68

### Fan ordering information

Design	QK
Installation position	H
	
Type	<b>QK08A-4EM.70.CF</b>
Article no.	<b>205155</b>
Weight kg	4.70

Information

Oil transformer cooling

Dry transformer cooling

System components

Control technology

Appendix