

Dry transformer cooling
120/80

Fans for transformer cooling
5/20

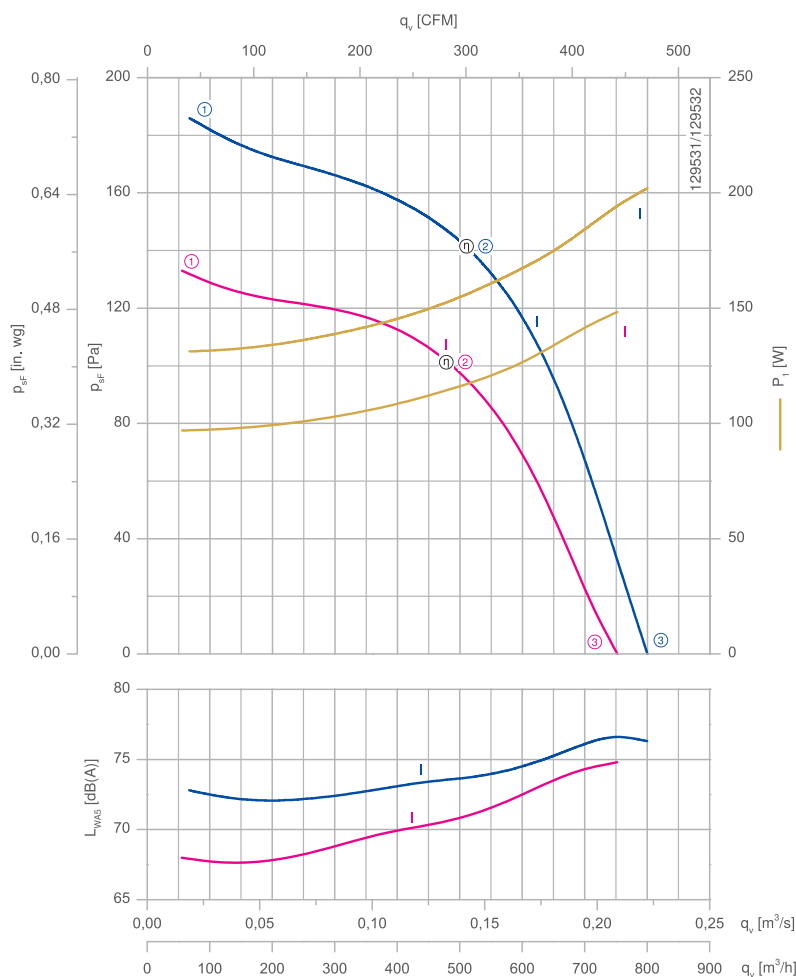
Cross flow fan

for single phase alternating current, 2 pole

QK08A-2E



Characteristic curve



Measured without guide plate 180° according to ISO 5801.

Connection diagram 1360-161XA Page 253
OHNE

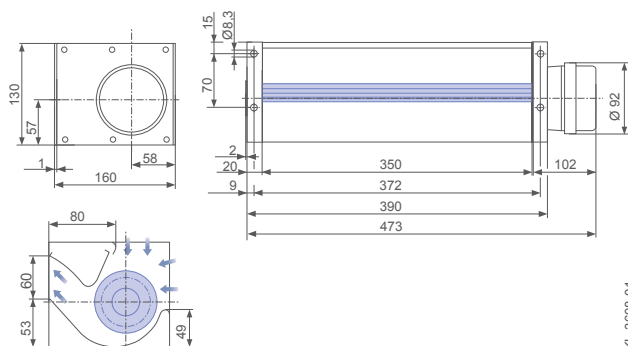
Airflow direction

Description

Motor technology: AC
 Rated voltage U_N: 1~ 230 V ±10%
 Rated frequency f_N: 50 Hz | 60 Hz*
 Input power P_i:
 160 W | 220 W*
 Rated current I_N:
 0,72 A | 0,94 A*
 Rated speed n_N:
 2440 min⁻¹ | 2600 min⁻¹*
 Service capacitor C_{400V}: 4,0 μF
 Thermal class: THCL130*
 Min. permitted ambient temperature t_{R(min)}: -20 °C
 Max. permitted ambient temperature t_{R(max)}: 70 °C
 Electrical connection: Prewired to a terminal strip, capacitor fitted and connected
 Degree of protection : IP10
 Impeller : aluminium
 Housing: Side plates galvanized steel, casing profile aluminium, guide vane steel uncoated
 Conformity: CE
ErP-data
 Not subject to the regulations of ErP directive (P_i < 125 W)
 * Rated data; P_i, I_N determined at 180° guide plates

Dimensions mm

Crossflow fan

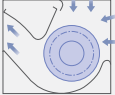


L-KL-3608-01



Type	Characteristic curve	Voltage	Frequency	Operating point	Current	Input power	Speed	Suction side sound power level L_{WA5} dB(A)
		U V	f Hz		I A	P_1 W	n min ⁻¹	
QK08A-2EM.35.CF	I	230	50	①	0.46	95	2850	68
	I	230		②	0.52	110	2720	70
	I	230*		③	0.66*	150*	2440*	75
	I	230	60	①	0.58	130	3350	73
	I	230		②	0.68	160	3150	74
	I	230*		③	0.88*	200*	2600*	76

Fan ordering information

Design	QK
Installation position	H
	
Type	QK08A-2EM.35.CF
Article no.	205156
Weight kg	3.60

Information

Oil transformer cooling

Dry transformer cooling

System components

Control technology

Appendix