

Plug fan Cpro - ZAmotpremium

Centrifugal fans main catalogue with IEC standard motor

Plug fan Cpro

ER63Cpro

Motor ZAmotpremium IE3



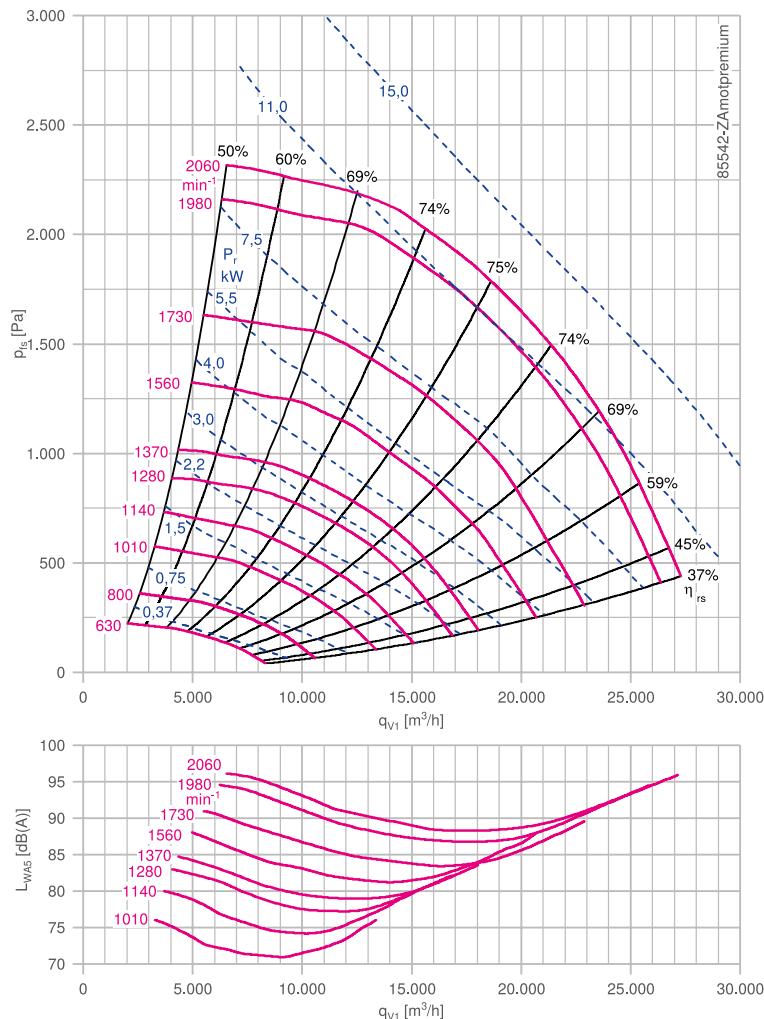
Description

Plug fan with high performance centrifugal impeller
 Impeller made of ZAmid unpainted like RAL 5002 (ultramarine blue)
 Inlet nozzle with measuring device for air flow measurement
 Fitting position H (horizontal)
 Rated voltage U_N : 3~ 400 V
 Rated frequency f_N : 50 Hz
 Motor protection: PTC resistor
 Degree of protection: IP55
 Thermal class: THCL155
 Min. permitted medium temperature $t_{R(min)}$: -20 °C
 Max. permitted medium temperature $t_{R(max)}$ at n_{max} : 40 °C
 Approvals: CE, UKCA
 Conformity: ErP 2015

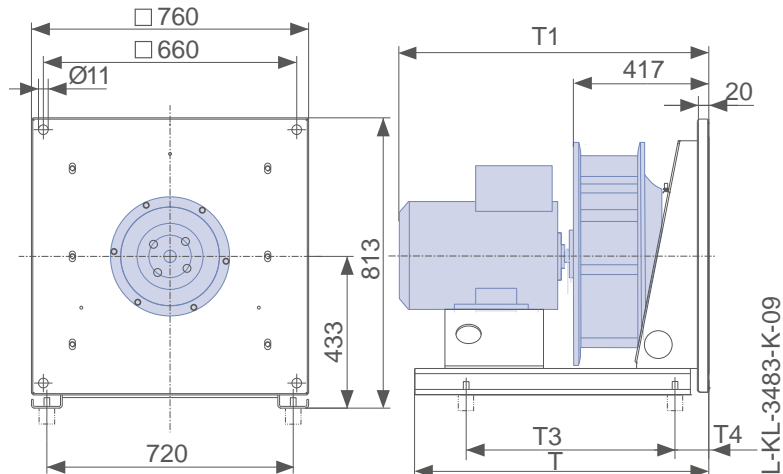
Nozzle coefficients

Standard k	381
With guard grille k_g	365
With inlet guide grille k_{ZAflow}	373

Characteristic curve



Dimensions mm



Cpro-ZAmotpremium IE3											
Rated power P_N kW	Type	Article no.	Motor size	Motor efficiency η_{mot} %	Rated current I_N A	Rated speed n_N rpm	Maximum speed n_{max} rpm	Maximum frequency f_{max} Hz	Efficiency η_{statA} %	Efficiency grade N_{actual}^*	
1.50	ER63C-6DN.E7.CR	130560/2141	100L	82.5	3.05	970	1010	52	63.3	71.2	
2.20	ER63C-6DN.F7.CR	130561/2141	112M	84.3	4.75	970	1140	59	64.7	71.0	
3.00	ER63C-6DN.G7.CR	130562/2141	132S	85.6	6.60	975	1280	66	65.7	70.5	
4.00	ER63C-4DN.F7.CR	130563/2141	112M	88.6	7.90	1460	1370	47	68.0	72.0	
5.50	ER63C-4DN.G7.CR	130564/2141	132S	89.6	10.50	1470	1560	53	68.8	71.1	
7.50	ER63C-4DN.H7.CR	130565/2141	132M	90.4	14.30	1470	1730	59	69.4	70.3	
11.00	ER63C-4DN.I7.CR	163662/2141	160M/L	91.4	20.50	1475	1990	67	70.2	70.1	
15.00	ER63C-4DN.K7.CR	163663/2141	160L	92.1	28.50	1475	2060	70	70.7	70.4	

* ErP 2015 setpoint N=62 | expected setpoint for next ErP level N=64

P_N kW	Type	Weight kg	T mm	T1 mm	T3 mm	T4 mm	Flexible connector	Guard grille	Vibration damper		Frequency inverters 3~	Inlet guide grille ZAflow
									Spring	Rubber		
1.50	ER63C-6DN.E7.CR	80.00	720	809	525	115	00405986	00411645	02021198	00090144	308230	00415086
2.20	ER63C-6DN.F7.CR	79.00	720	793	525	115	00405986	00411645	02021198	00090144	308232	00415086
3.00	ER63C-6DN.G7.CR	95.00	880	824	630	115	00405986	00411645	02021198	02000124	308234	00415086
4.00	ER63C-4DN.F7.CR	82.00	720	793	578	115	00405986	00411645	02021198	02000124	308236	00415086
5.50	ER63C-4DN.G7.CR	116.00	880	874	735	115	00405986	00411645	02021199	02000124	308265	00415086
7.50	ER63C-4DN.H7.CR	116.00	880	874	735	115	00405986	00411645	02021199	02020907	308267	00415086
11.00	ER63C-4DN.I7.CR	142.00	880	933	683	115	00405986	00411645	02021199	00407339	308323	00415086
15.00	ER63C-4DN.K7.CR	159.00	880	993	735	115	00405986	00411645	02018876	00407339	308325	00415086