

Plug fan Cpro - ZAmotpremium

Centrifugal fans main catalogue with IEC standard motor

# Plug fan Cpro

ER50Cpro

Motor ZAmotpremium IE3



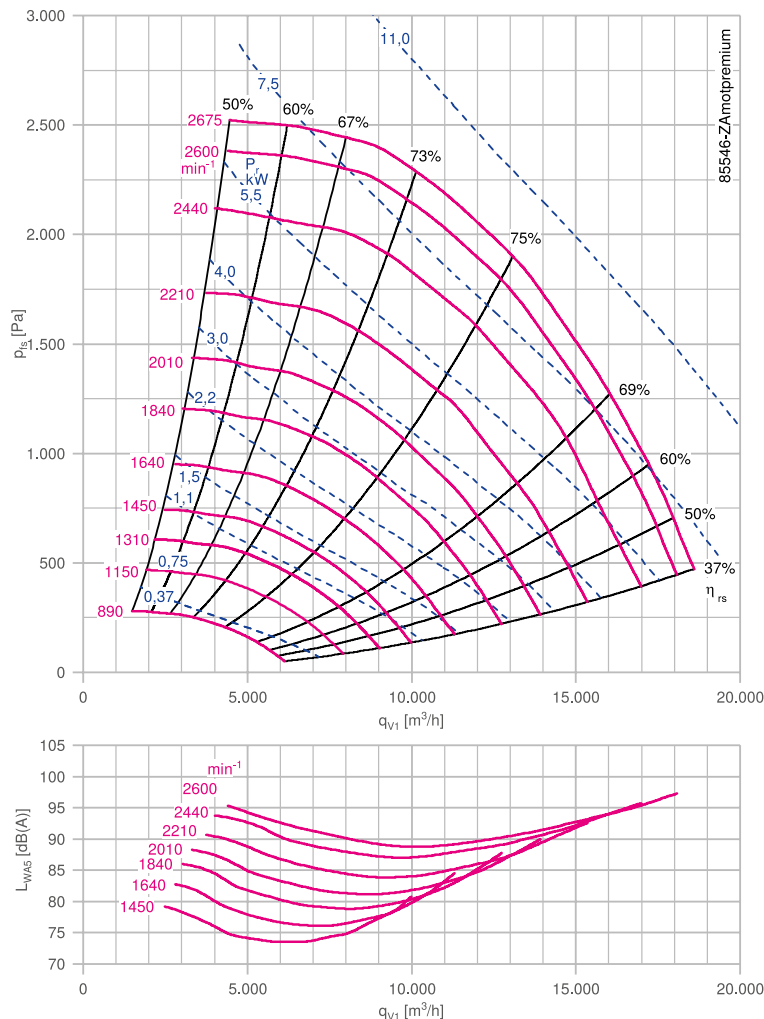
## Description

Plug fan with high performance centrifugal impeller  
 Impeller made of ZAmid unpainted like RAL 5002 (ultramarine blue)  
 Inlet nozzle with measuring device for air flow measurement  
 Fitting position H (horizontal)  
 Rated voltage  $U_N$ : 3~ 400 V  
 Rated frequency  $f_N$ : 50 Hz  
 Motor protection: PTC resistor  
 Degree of protection: IP55  
 Thermal class: THCL155  
 Min. permitted medium temperature  $t_{R(min)}$ : -20 °C  
 Max. permitted medium temperature  $t_{R(max)}$  at  $n_{max}$ : 40 °C  
 Approvals: CE, UKCA  
 Conformity: ErP 2015

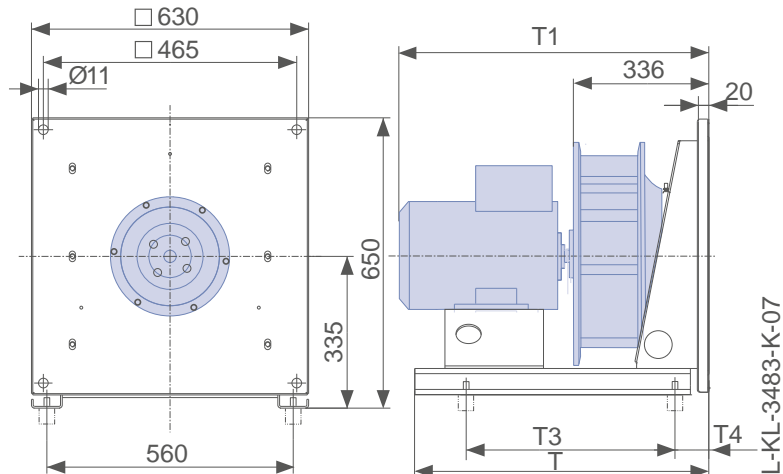
## Nozzle coefficients

Standard k	252
With guard grille $k_g$	242
With inlet guide grille $k_{Zaflow}$	247

Characteristic curve



Dimensions mm



Cpro-ZAmotpremium IE3										
Rated power $P_N$ kW	Type	Article no.	Motor size	Motor efficiency $\eta_{mot}$ %	Rated current $I_N$ A	Rated speed $n_N$ rpm	Maximum speed $n_{max}$ rpm	Maximum frequency $f_{max}$ Hz	Efficiency $\eta_{statA}$ %	Efficiency grade $N_{actual}^*$
1.50	<a href="#">ER50C-4DN.D7.CR</a>	<a href="#">130575/2141</a>	090L/S	85.3	3.20	1445	1450	50	65.5	73.6
2.20	<a href="#">ER50C-4DN.E7.CR</a>	<a href="#">130576/2141</a>	100L	86.7	4.40	1465	1640	56	66.5	72.9
3.00	<a href="#">ER50C-4DN.E7.CR</a>	<a href="#">130577/2141</a>	100L	87.7	5.90	1460	1840	63	67.2	72.1
4.00	<a href="#">ER50C-4DN.F7.CR</a>	<a href="#">130578/2141</a>	112M	88.6	7.90	1460	2010	69	68.0	71.8
5.50	<a href="#">ER50C-4DN.G7.CR</a>	<a href="#">130579/2141</a>	132S	89.6	10.50	1470	2210	75	68.7	71.2
7.50	<a href="#">ER50C-4DN.H7.CR</a>	<a href="#">130580/2141</a>	132M	90.4	14.30	1470	2440	83	69.3	70.5
11.00	<a href="#">ER50C-4DN.I7.CR</a>	<a href="#">130581/2141</a>	160M/L	91.4	20.50	1475	2600	88	70.1	70.5

\* ErP 2015 setpoint N=62 | expected setpoint for next ErP level N=64

$P_N$ kW	Type	Weight kg	T mm	T1 mm	T3 mm	T4 mm	Flexible connector	Guard grille	Vibration damper		Frequency inverters 3-	Inlet guide grille ZAflow
									Spring	Rubber		
1.50	<a href="#">ER50C-4DN.D7.CR</a>	50.00	728	685	420	115	00406515	00411575	02021197	00090144	308230	00415085
2.20	<a href="#">ER50C-4DN.E7.CR</a>	62.00	728	699	525	115	00406515	00411575	02021197	00090144	308232	00415085
3.00	<a href="#">ER50C-4DN.E7.CR</a>	62.00	728	734	525	115	00406515	00411575	02021197	00090144	308234	00415085
4.00	<a href="#">ER50C-4DN.F7.CR</a>	66.00	728	717	473	115	00406515	00411575	02021197	02000124	308236	00415085
5.50	<a href="#">ER50C-4DN.G7.CR</a>	96.00	728	798	578	115	00406515	00411575	02021198	02000124	308265	00415085
7.50	<a href="#">ER50C-4DN.H7.CR</a>	97.00	728	798	578	115	00406515	00411575	02021198	02000124	308267	00415085
11.00	<a href="#">ER50C-4DN.I7.CR</a>	121.00	888	857	630	115	00406515	00411575	02021198	02000124	308323	00415085