

Plug fan Cpro - ZAmotpremium
ER40C

Centrifugal fans main catalogue with IEC standard motor
05/2022

Plug fan Cpro

ER40Cpro

Motor ZAmotpremium IE3



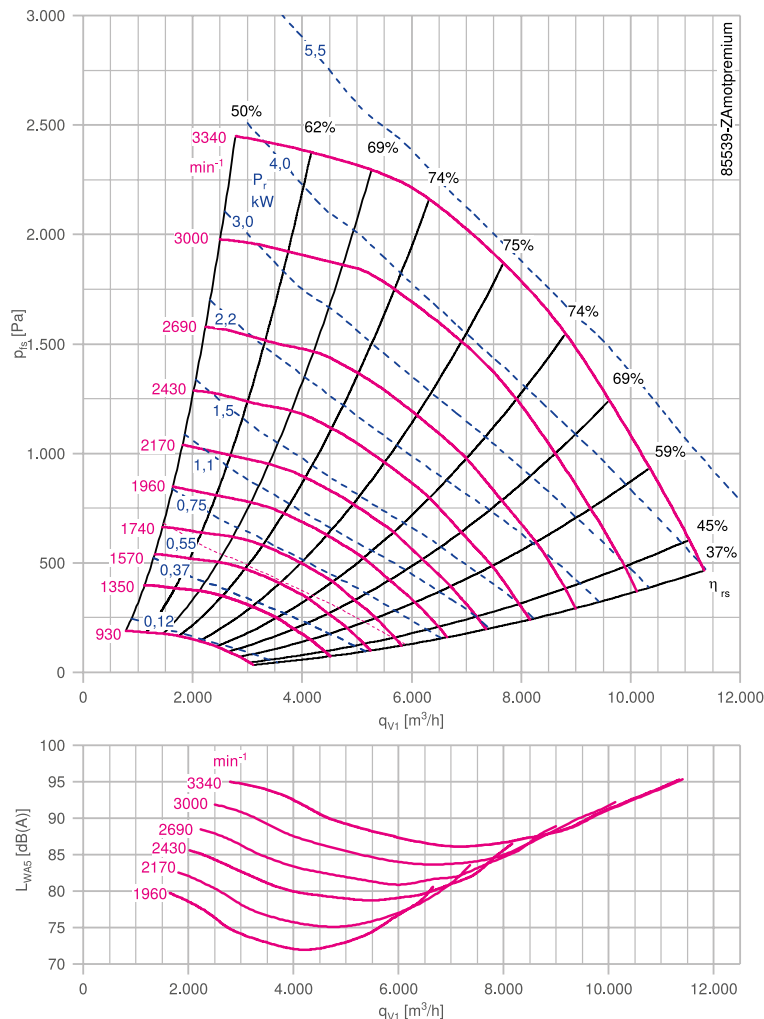
Description

Plug fan with high performance centrifugal impeller
Impeller made of ZAmid unpainted like RAL 5002 (ultramarine blue)
Inlet nozzle with measuring device for air flow measurement
Fitting position H (horizontal)
Rated voltage U_N : 3~ 400 V
Rated frequency f_N : 50 Hz
Motor protection: PTC resistor
Degree of protection: IP55
Thermal class: THCL155
Min. permitted medium temperature $t_{R(min)}$: -20 °C
Max. permitted medium temperature $t_{R(max)}$ at n_{max} : 40 °C
Approvals: CE, UKCA
Conformity: ErP 2015

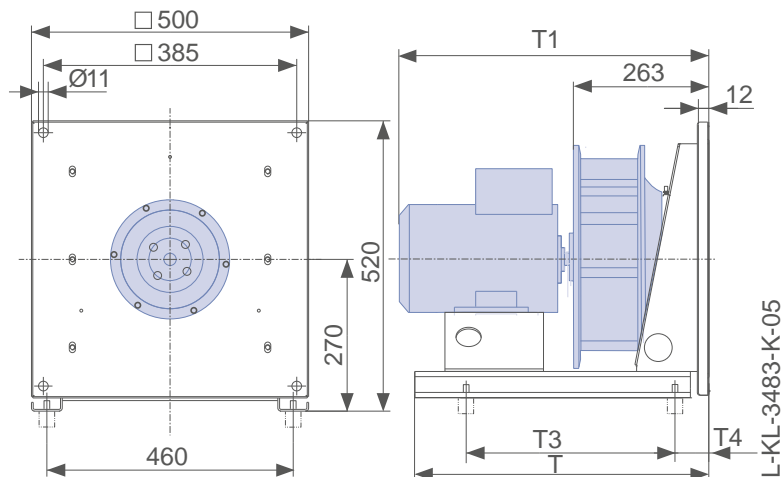
Nozzle coefficients

Standard k	154
With guard grille k_g	148
With inlet guide grille k_{Zaflow}	151

Characteristic curve



Dimensions mm



L-KL-3483-K-05



Cpro-ZAmotpremium IE3										
Rated power P_N kW	Type	Article no.	Motor size	Motor efficiency η_{mot} %	Rated current I_N A	Rated speed n_N rpm	Maximum speed n_{max} rpm	Maximum frequency f_{max} Hz	Efficiency η_{statA} %	Efficiency grade N_{actual}^*
1.10	ER40C-4DN.C7.CR	130589/2141	090S/L	84.1	2.40	1440	1960	68	64.7	74.0
1.50	ER40C-4DN.D7.CR	130590/2141	090L/S	85.3	3.20	1445	2170	75	65.6	73.6
2.20	ER40C-4DN.E7.CR	130591/2141	100L	86.7	4.40	1465	2430	83	66.6	73.1
3.00	ER40C-4DN.E7.CR	130592/2141	100L	87.7	5.90	1460	2690	92	67.4	72.6
4.00	ER40C-2DN.F7.CR	130593/2141	112M	88.1	7.30	2945	3000	51	67.7	71.4
5.50	ER40C-2DN.G7.CR	130594/2141	132S/M	89.2	9.90	2950	3340	57	68.6	70.9

* ErP 2015 setpoint N=62 | expected setpoint for next ErP level N=64

P_N kW	Type	Weight kg	T mm	T1 mm	T3 mm	T4 mm	Flexible connector	Guard grille	Vibration damper		Frequency inverters 3~	Inlet guide grille ZAflow
									Spring	Rubber		
1.10	ER40C-4DN.C7.CR	34.00	570	583	368	115	00406514	00411573	02021196	00090144	308228	00415084
1.50	ER40C-4DN.D7.CR	37.00	570	608	368	115	00406514	00411573	02021196	00090144	308230	00415084
2.20	ER40C-4DN.E7.CR	49.00	570	622	420	115	00406514	00411573	02021197	00090144	308232	00415084
3.00	ER40C-4DN.E7.CR	49.00	570	657	420	115	00406514	00411573	02021197	00090144	308234	00415084
4.00	ER40C-2DN.F7.CR	54.00	720	640	473	115	00406514	00411573	02021197	00090144	308236	00415084
5.50	ER40C-2DN.G7.CR	66.00	720	676	473	115	00406514	00411573	02021197	00090144	308265	00415084