

Plug fan Cpro - Zamotpremium

Centrifugal fans main catalogue with IEC standard motor

Plug fan Cpro

ER35Cpro

Motor ZAmotpremium IE3



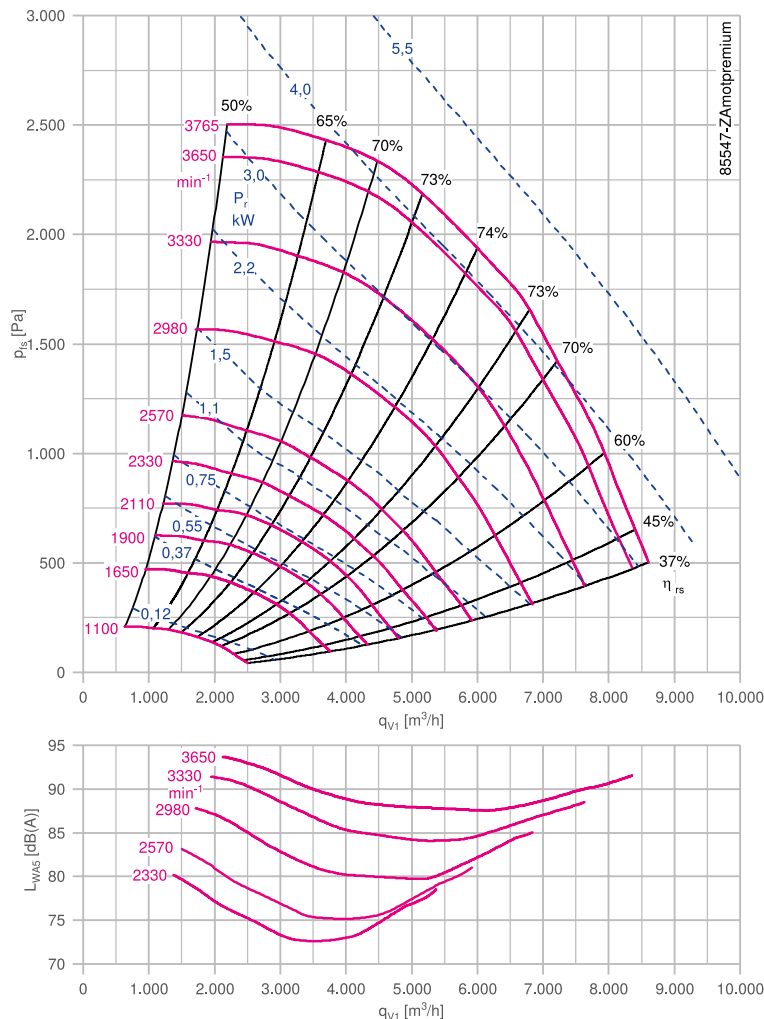
Description

Plug fan with high performance centrifugal impeller
 Impeller made of ZAmid unpainted like RAL 5002 (ultramarine blue)
 Inlet nozzle with measuring device for air flow measurement
 Fitting position H (horizontal)
 Rated voltage U_N : 3~ 400 V
 Rated frequency f_N : 50 Hz
 Motor protection: PTC resistor
 Degree of protection: IP55
 Thermal class: THCL155
 Min. permitted medium temperature $t_{R(min)}$: -20 °C
 Max. permitted medium temperature $t_{R(max)}$ at n_{max} : 40 °C
 Approvals: CE, UKCA
 Conformity: ErP 2015

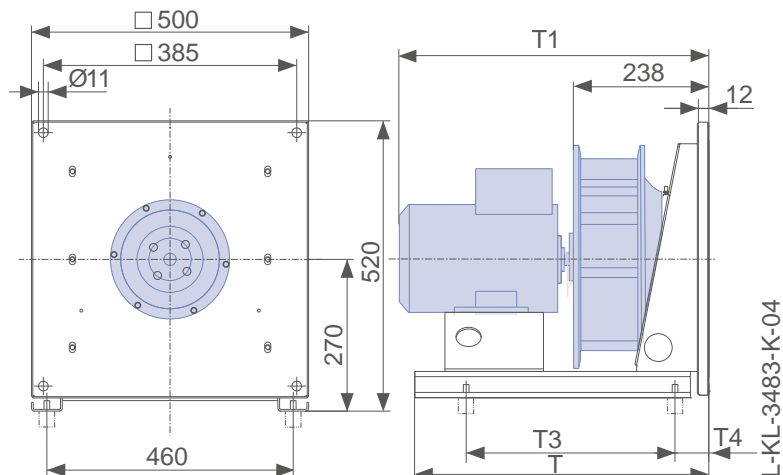
Nozzle coefficients

Standard k	121
With guard grille k_g	116
With inlet guide grille k_{Zaflow}	119

Characteristic curve



Dimensions mm



L-KL-3483-K-04



Cpro-ZAmotpremium IE3										
Rated power P_N kW	Type	Article no.	Motor size	Motor efficiency η_{mot} %	Rated current I_N A	Rated speed n_N rpm	Maximum speed n_{max} rpm	Maximum frequency f_{max} Hz	Efficiency η_{statA} %	Efficiency grade N_{actual}^*
1.10	ER35C-4DN.C7.CR	131399/2141	090S/L	84.1	2.40	1440	2330	81	63.9	73.5
1.50	ER35C-4DN.D7.CR	130595/2141	090L/S	85.3	3.20	1445	2570	89	64.9	73.2
2.20	ER35C-2DN.D7.CR	130596/2141	090L/S	85.9	4.20	2910	2970	51	65.3	71.6
3.00	ER35C-2DN.E7.CR	130597/2141	100L	87.1	5.60	2920	3330	57	66.2	71.1
4.00	ER35C-2DN.F7.CR	130598/2141	112M	88.1	7.30	2945	3650	62	67.0	70.6

* ErP 2015 setpoint N=62 | expected setpoint for next ErP level N=64

P_N kW	Type	Weight kg	T mm	T1 mm	T3 mm	T4 mm	Flexible connector	Guard grille	Vibration damper		Frequency inverters 3~	Inlet guide grille ZAflow
									Spring	Rubber		
1.10	ER35C-4DN.C7.CR	32.00	570	556	315	115	00406514	00411572	02021196	00090144	308228	00415083
1.50	ER35C-4DN.D7.CR	35.00	570	581	368	115	00406514	00411572	02021197	00090144	308230	00415083
2.20	ER35C-2DN.D7.CR	35.00	570	596	368	115	00406514	00411572	02021197	00090144	308232	00415083
3.00	ER35C-2DN.E7.CR	44.00	570	630	420	115	00406514	00411572	02021197	00090144	308234	00415083
4.00	ER35C-2DN.F7.CR	51.00	570	613	420	115	00406514	00411572	02021197	00090144	308236	00415083

Information

ZAbbluefin

Cpro

C

C-ATEX

Impellers with hub

System components

Control technology

General notes

