

Plug fan Cpro - ZAmotpremium

Centrifugal fans main catalogue with IEC standard motor

12/2023

05/2023

# Plug fan Cpro

ER31Cpro

Motor ZAmotpremium IE3



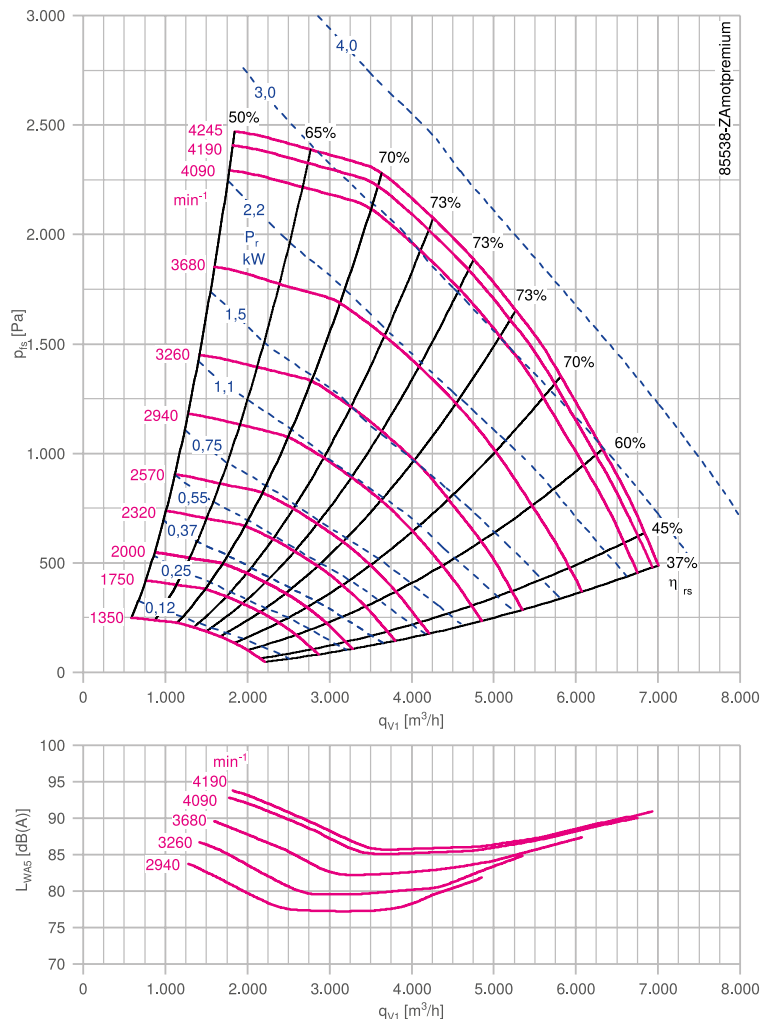
## Description

Plug fan with high performance centrifugal impeller  
 Impeller made of ZAmid unpainted like RAL 5002 (ultramarine blue)  
 Inlet nozzle with measuring device for air flow measurement  
 Fitting position H (horizontal)  
 Rated voltage  $U_N$ : 3~ 400 V  
 Rated frequency  $f_N$ : 50 Hz  
 Motor protection: PTC resistor  
 Degree of protection: IP55  
 Thermal class: THCL155  
 Min. permitted medium temperature  $t_{R(min)}$ : -20 °C  
 Max. permitted medium temperature  $t_{R(max)}$  at  $n_{max}$ : 40 °C  
 Approvals: CE, UKCA  
 Conformity: ErP 2015

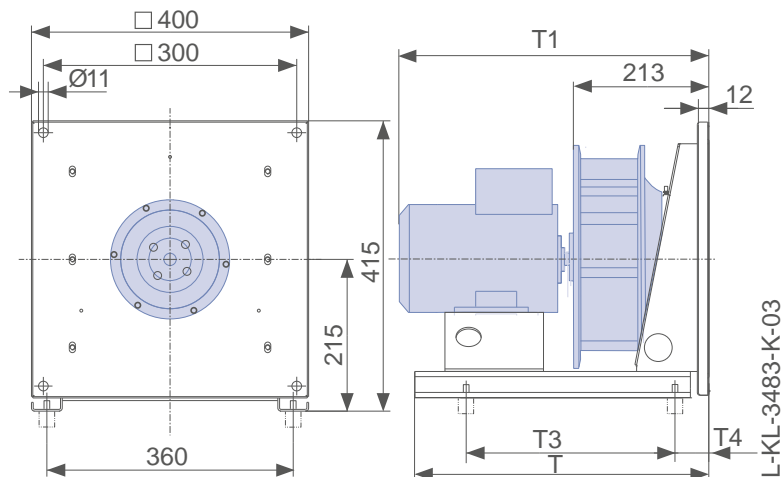
## Nozzle coefficients

Standard k	95
With guard grille $k_g$	91
With inlet guide grille $k_{Zaflow}$	93

Characteristic curve



Dimensions mm



L-KL-3483-K-03



Cpro-ZAmotpremium IE3											
Rated power $P_N$ kW	Type	Article no.	Motor size	Motor efficiency $\eta_{mot}$ %	Rated current $I_N$ A	Rated speed $n_N$ rpm	Maximum speed $n_{max}$ rpm	Maximum frequency $f_{max}$ Hz	Efficiency $\eta_{statA}$ %	Efficiency grade $N_{actual}^*$	
1.10	<a href="#">ER31C-2DN.B7.CR</a>	<a href="#">130599/2141</a>	080M	82.7	2.20	2885	2940	51	61.9	70.9	
1.50	<a href="#">ER31C-2DN.C7.CR</a>	<a href="#">130600/2141</a>	090S/L	84.2	3.00	2910	3260	56	63.0	70.7	
2.20	<a href="#">ER31C-2DN.D7.CR</a>	<a href="#">130601/2141</a>	090L/S	85.9	4.20	2910	3680	63	64.3	70.4	
3.00	<a href="#">ER31C-2DN.E7.CR</a>	<a href="#">130602/2141</a>	100L	87.1	5.60	2920	4090	70	65.2	69.9	
4.00	<a href="#">ER31C-2DN.F7.CR</a>	<a href="#">130603/2141</a>	112M	88.1	7.30	2945	4180	71	65.9	70.4	

\* ErP 2015 setpoint N=62 | expected setpoint for next ErP level N=64

$P_N$ kW	Type	Weight kg	T mm	T1 mm	T3 mm	T4 mm	Flexible connector	Guard grille	Vibration damper		Frequency inverters 3~	Inlet guide grille ZAflow
									Spring	Rubber		
1.10	<a href="#">ER31C-2DN.B7.CR</a>	24.00	460	524	368	60	00406513	00411571	02021195	00090144	308228	00415083
1.50	<a href="#">ER31C-2DN.C7.CR</a>	28.00	570	534	420	60	00406513	00411571	02021195	00090144	308230	00415083
2.20	<a href="#">ER31C-2DN.D7.CR</a>	32.00	570	574	473	60	00406513	00411571	02021196	00090144	308232	00415083
3.00	<a href="#">ER31C-2DN.E7.CR</a>	40.00	570	607	473	60	00406513	00411571	02021196	00090144	308234	00415083
4.00	<a href="#">ER31C-2DN.F7.CR</a>	48.00	570	591	473	60	00406513	00411571	02021196	00090144	308236	00415083