

Plug fan Cpro - Zamotpremium
85537

Centrifugal fans main catalogue with IEC standard motor
05/2022

Plug fan Cpro

ER28Cpro

Motor ZAmotpremium IE3



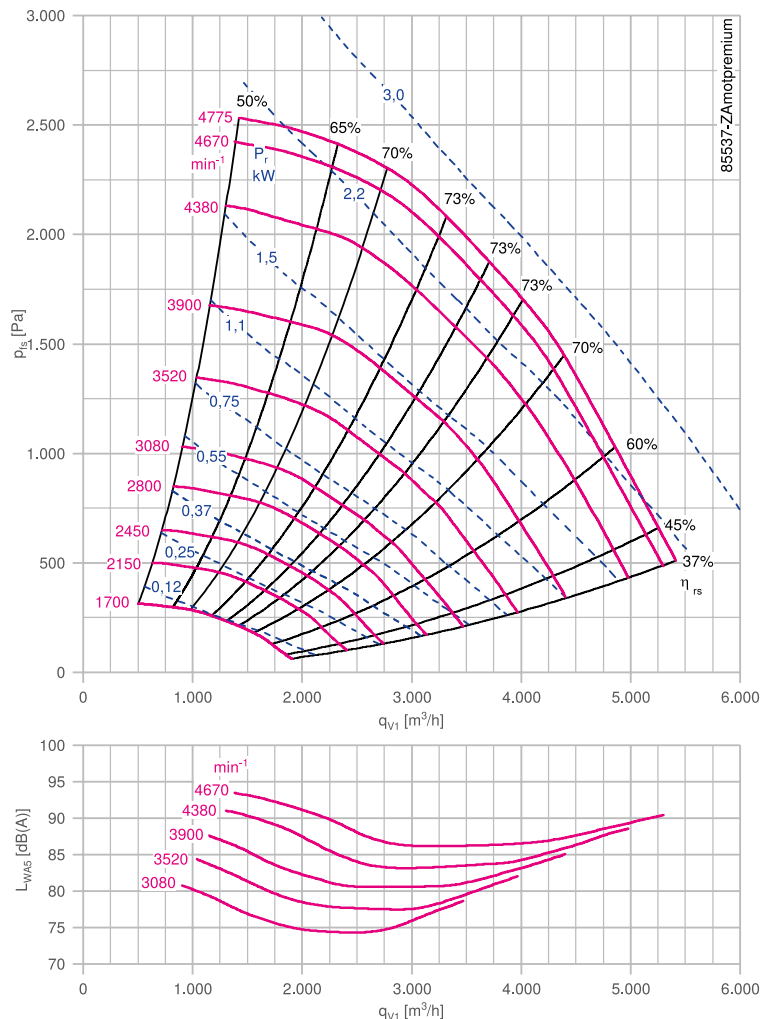
Description

Plug fan with high performance centrifugal impeller
Impeller made of ZAmid unpainted like RAL 5002 (ultramarine blue)
Inlet nozzle with measuring device for air flow measurement
Fitting position H (horizontal)
Rated voltage U_N : 3~ 400 V
Rated frequency f_N : 50 Hz
Motor protection: PTC resistor
Degree of protection: IP55
Thermal class: THCL155
Min. permitted medium temperature $t_{R(min)}$: -20 °C
Max. permitted medium temperature $t_{R(max)}$ at n_{max} : 40 °C
Approvals: CE, UKCA
Conformity: ErP 2015

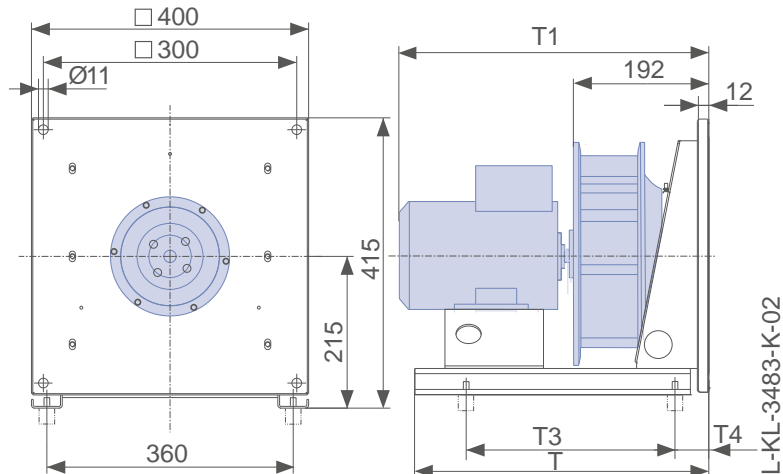
Nozzle coefficients

Standard k	75
With guard grille k_g	72
With inlet guide grille k_{Zaflow}	74

Characteristic curve



Dimensions mm



Cpro-ZAmotpremium IE3										
Rated power P_N kW	Type	Article no.	Motor size	Motor efficiency η_{mot} %	Rated current I_N A	Rated speed n_N rpm	Maximum speed n_{max} rpm	Maximum frequency f_{max} Hz	Efficiency η_{statA} %	Efficiency grade N_{actual}^*
0.75	ER28C-2DN.B7.CR	130604/2141	080M	80.7	1.56	2850	3080	54	60.5	71.5
1.10	ER28C-2DN.B7.CR	130605/2141	080M	82.7	2.20	2885	3520	61	62.0	71.3
1.50	ER28C-2DN.C7.CR	130606/2141	090S/L	84.2	3.00	2910	3900	67	63.1	71.0
2.20	ER28C-2DN.D7.CR	130607/2141	090L/S	85.9	4.20	2910	4370	75	64.3	70.8
3.00	ER28C-2DN.E7.CR	130608/2141	100L	87.1	5.60	2920	4670	80	65.2	70.8

* ErP 2015 setpoint N=62 | expected setpoint for next ErP level N=64

P_N kW	Type	Weight kg	T mm	T1 mm	T3 mm	T4 mm	Flexible connector	Guard grille	Vibration damper		Frequency inverters 3~	Inlet guide grille ZAflow
									Spring	Rubber		
0.75	ER28C-2DN.B7.CR	23.00	460	468	368	60	00406513	00411643	02021195	00090144	308228	00415082
1.10	ER28C-2DN.B7.CR	24.00	460	503	368	60	00406513	00411643	02021195	00090144	308228	00415082
1.50	ER28C-2DN.C7.CR	27.00	460	513	368	60	00406513	00411643	02021196	00090144	308230	00415082
2.20	ER28C-2DN.D7.CR	31.00	460	553	368	60	00406513	00411643	02021196	00090144	308232	00415082
3.00	ER28C-2DN.E7.CR	39.00	570	587	473	60	00406513	00411643	02021196	00090144	308234	00415082

Information

ZAbbluefin

Cpro

C

C-ATEX

Impellers with hub

System components

Control technology

General notes