

Plug fan Cpro - Zamotpremium

Centrifugal fans main catalogue with IEC standard motor

Plug fan Cpro

ER25Cpro

Motor ZAmotpremium IE3



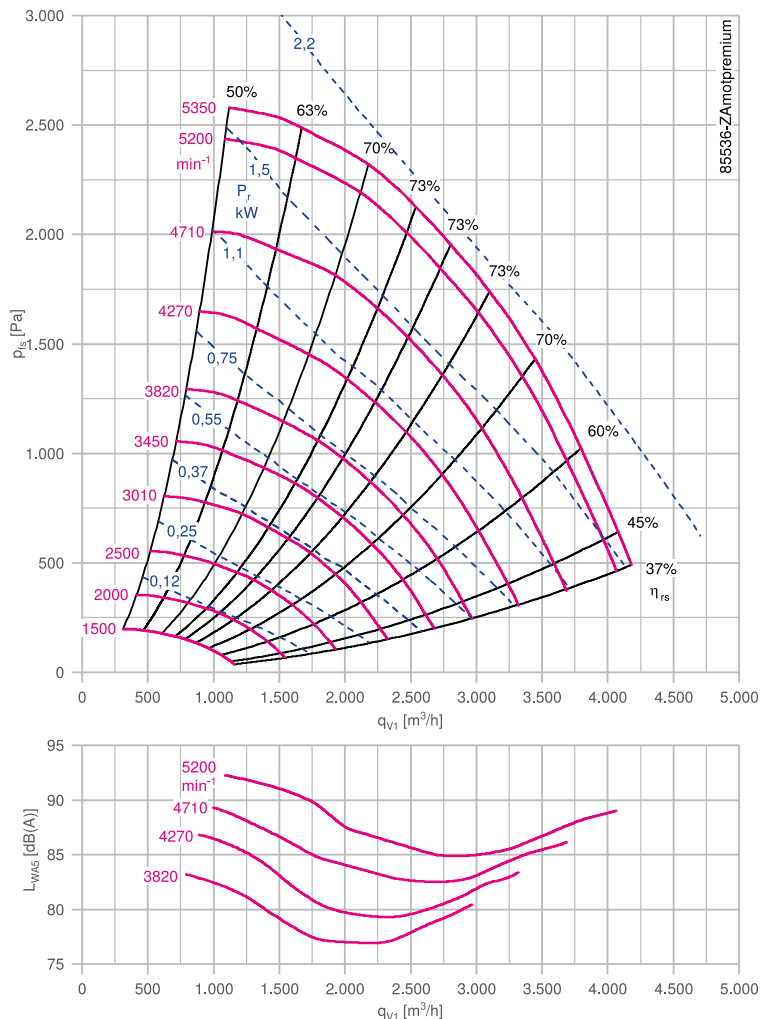
Description

Plug fan with high performance centrifugal impeller
 Impeller made of ZAmid unpainted like RAL 5002 (ultramarine blue)
 Inlet nozzle with measuring device for air flow measurement
 Fitting position H (horizontal)
 Rated voltage U_N : 3~ 400 V
 Rated frequency f_N : 50 Hz
 Motor protection: PTC resistor
 Degree of protection: IP55
 Thermal class: THCL155
 Min. permitted medium temperature $t_{R(min)}$: -20 °C
 Max. permitted medium temperature $t_{R(max)}$ at n_{max} : 40 °C
 Approvals: CE, UKCA
 Conformity: ErP 2015

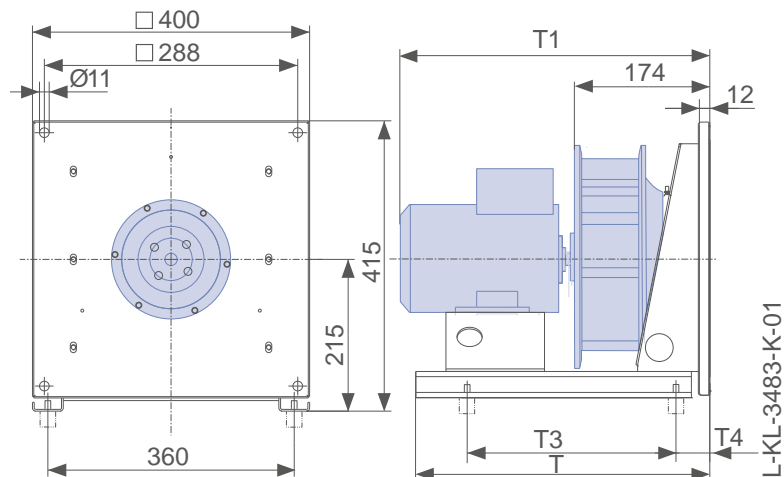
Nozzle coefficients

Standard k	60
With guard grille k_g	58
With inlet guide grille k_{Zaflow}	59

Characteristic curve



Dimensions mm



L-KL-3483-K-01



Cpro-ZAmotpremium IE3											
Rated power	Type	Article no.	Motor size	Motor efficiency	Rated current	Rated speed	Maximum speed	Maximum frequency	Efficiency	Efficiency grade	
P_N kW				η_{mot} %	I_N A	n_N rpm	n_{max} rpm	f_{max} Hz	η_{statA} %	N_{actual}^*	
0.75	ER25C-2DN.B7.CR	130609/2141	080M	80.7	1.56	2850	3820	67	60.4	71.1	
1.10	ER25C-2DN.B7.CR	130610/2141	080M	82.7	2.20	2885	4270	74	61.9	71.2	
1.50	ER25C-2DN.C7.CR	130611/2141	090S/L	84.2	3.00	2910	4710	81	63.0	71.0	
2.20	ER25C-2DN.D7.CR	130612/2141	090L/S	85.9	4.20	2910	5240	90	64.2	71.0	

* ErP 2015 setpoint N=62 | expected setpoint for next ErP level N=64

P_N kW	Type	Weight kg	T mm	T1 mm	T3 mm	T4 mm	Flexible connector	Guard grille	Vibration damper		Frequency inverters 3~	Inlet guide grille ZAflow
									Spring	Rubber		
0.75	ER25C-2DN.B7.CR	22.00	460	451	368	60	00403346	00411643	02021195	00090144	308228	00415082
1.10	ER25C-2DN.B7.CR	23.00	460	486	368	60	00403346	00411643	02021195	00090144	308228	00415082
1.50	ER25C-2DN.C7.CR	26.00	460	496	368	60	00403346	00411643	02021196	00090144	308230	00415082
2.20	ER25C-2DN.D7.CR	30.00	460	536	368	60	00403346	00411643	02021196	00090144	308232	00415082

Information

ZAbluefin

Cpro

C

C-ATEX

Impellers with hub

System components

Control technology

General notes