

Cpro

for three phase alternating current, 2 pole

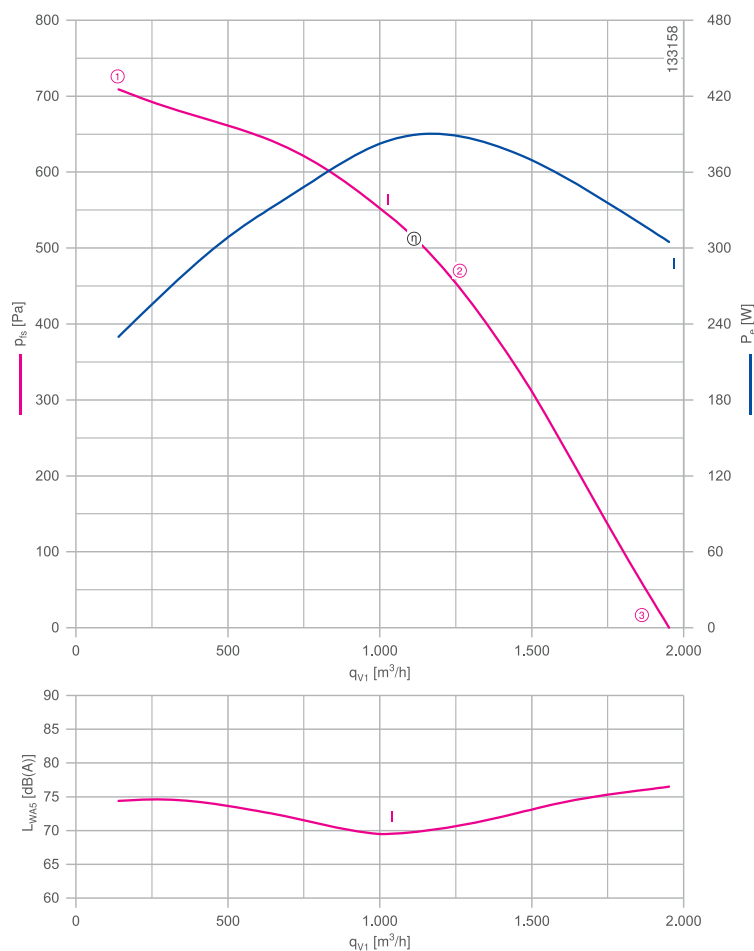
RH25C-2D



Description

Motor technology: AC
 Rated voltage U_N : 3~ 230/400 V (Δ/Y)*
 Rated frequency f_N : 50 Hz*
 Input power P_e : 390 W*
 Rated current I_N : 1.10/0.64 A*
 Rated speed n_N : 2620 min⁻¹*
 Starting current I_A : 4.00/2.20 A
 Current increase ΔI : 10 %
 Thermal class: THCL155*
 Min. permitted ambient temperature $t_{amb(min)}$: -40 °C***
 Max. permitted ambient temperature $t_{amb(max)}$: 65 °C
 Electrical connection: Supply cable side, 105cm
 Degree of protection : IP54Z
 Motor protection: thermal contact
 Impeller : Impeller made of ZAMid, unpainted
 Motor: Aluminium, 1 coat paint, pebble grey
 Conformity: CE
 * Rated data
 *** Continuous operation with occasional starts (S1) according to DIN EN 60034-1:2011-02. Occasional starting between -35 °C and -25 °C is permissible. Continuous operation below -25 °C only with special bearings for refrigeration applications on request.

Characteristic curve

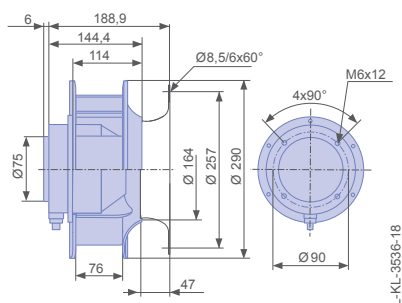


Measured with inlet nozzle, without guard grille according to ISO 5801
 Not voltage controllable fan.

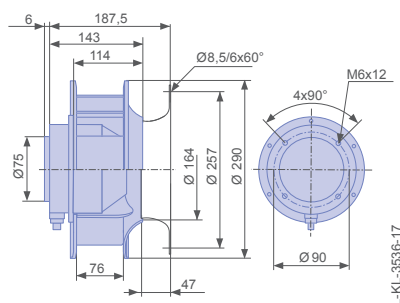
Inlet ring	00401777	RAL 7032 (pebble grey)
Inlet ring	00400803	unpainted
Connection diagram	1360-106XA	

Dimensions mm

Free-running motorized impeller RH
 in installation position H/Vu



Free-running motorized impeller RH
 in installation position H/Vo





Performance data

Type	Characteristic curve	Voltage	Operating point	Current	Input power	Speed	Suction side sound power level L_{WAS} dB(A)
		U V		I A	P_e W	n min ⁻¹	
RH25C-2DK.1E.CR	I	400	①	0.44	230	2800	74
		400*	②	0.64*	390*	2620*	70
		400	③	0.54	300	2730	77

*rated data

Fan ordering information

Design	RH*	RH*
Installation position	H/Vu	H/Vo
		
Type	RH25C-2DK.1E.CR	RH25C-2DK.1E.CR
Article no.	175806	175805
Weight kg	4.00	4.00
* Inlet nozzle not included in the scope of delivery		

Cpro

for three phase alternating current, 2 pole

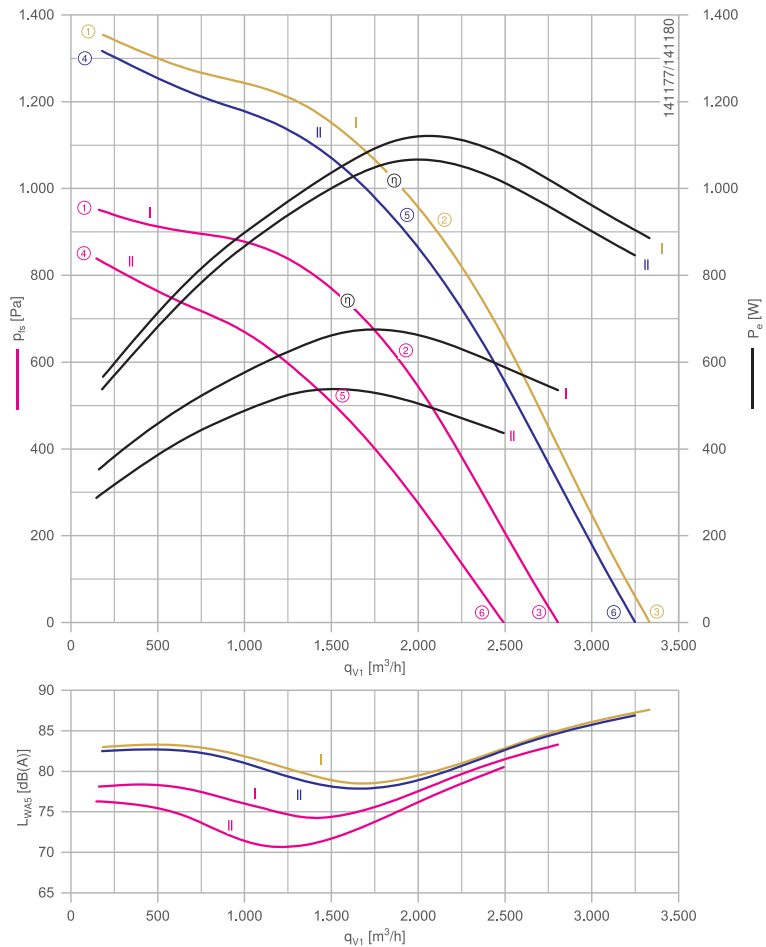
RH28C-2D



Description

Motor technology: AC
 Rated voltage U_N :
 3~ 230/400 V (Δ/Y) | 3~230/400 V (Δ/Y) | 3~265/460 V (Δ/Y) *
 Rated frequency f_N : 50 Hz | 60 Hz | 60 Hz*
 Input power P_e :
 0.68 kW | 1.05 kW | 1.10 kW*
 Rated current I_N :
 2.20/1.30 A | 2.90/1.70 A | 2.90/1.65 A*
 Rated speed n_N :
 2810 min⁻¹ | 3190 min⁻¹ | 3300 min⁻¹*
 Starting current I_s : 13.00/7.50 A | 12.00/7.00 A | 14.00/8.00 A
 Current increase ΔI : 20 % | 20 % | 15 %
 Thermal class: THCL155*
 Min. permitted ambient temperature $t_{amb(min)}$: -40 °C***
 Max. permitted ambient temperature $t_{amb(max)}$:
 70 °C | 65 °C | 65 °C
 Electrical connection: Supply cable side, 105cm
 Degree of protection : IP54
 Motor protection: thermal contact
 Impeller : Impeller made of ZAmid, unpainted
 Motor: Aluminium, 1 coat paint, pebble grey
 Conformity: CE
 * Rated data
 *** Continuous operation with occasional starts (S1) according to DIN EN 60034-1:2011-02. Occasional starting between -35 °C and -25 °C is permissible. Continuous operation below -25 °C only with special bearings for refrigeration applications on request.

Characteristic curve

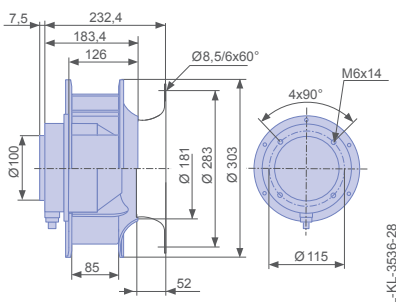


Measured with inlet nozzle, without guard grille according to ISO 5801
 Not 60Hz voltage controllable fan.

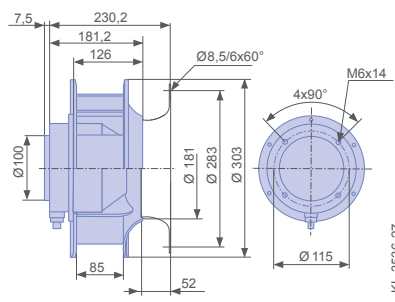
Inlet ring	00401778	RAL 7032 (pebble grey)
Inlet ring	00400804	unpainted
Connection diagram	1360-106XA	

Dimensions mm

Free-running motorized impeller RH in installation position H/Vu



Free-running motorized impeller RH in installation position H/Vo





Performance data

Type	Characteristic curve	Voltage	Frequency	Operating point	Current	Input power	Speed	Suction side sound power level L_{WA5} dB(A)
		U V	f Hz		I A	P_o W	n min ⁻¹	
RH28C-2DD.3I.CR	I	400	50	①	0.98	350	2910	78
		400*	50	②	1.30*	680*	2810*	76
		400	50	③	1.15	540	2860	83
	II	230	50	④	0.82	290	2740	76
		230	50	⑤	1.45	540	2430	72
		230	50	⑥	1.20	440	2570	81
	I	460	60	①	1.05	560	3480	83
		460*	60	②	1.65*	1100*	3300*	80
		460	60	③	1.35	880	3380	88
	II	400	60	④	0.98	540	3430	83
		400*	60	⑤	1.70*	1050*	3190*	78
		400	60	⑥	1.40	840	3300	87

*rated data

Fan ordering information

Design	RH*	RH*
Installation position	H/Vu	H/Vo
		
Type	RH28C-2DD.3I.CR	RH28C-2DD.3I.CR
Article no.	175808	175807
Weight kg	10.00	10.00
* Inlet nozzle not included in the scope of delivery		

Cpro

for three phase alternating current, 2 pole

RH28C-2D



Description

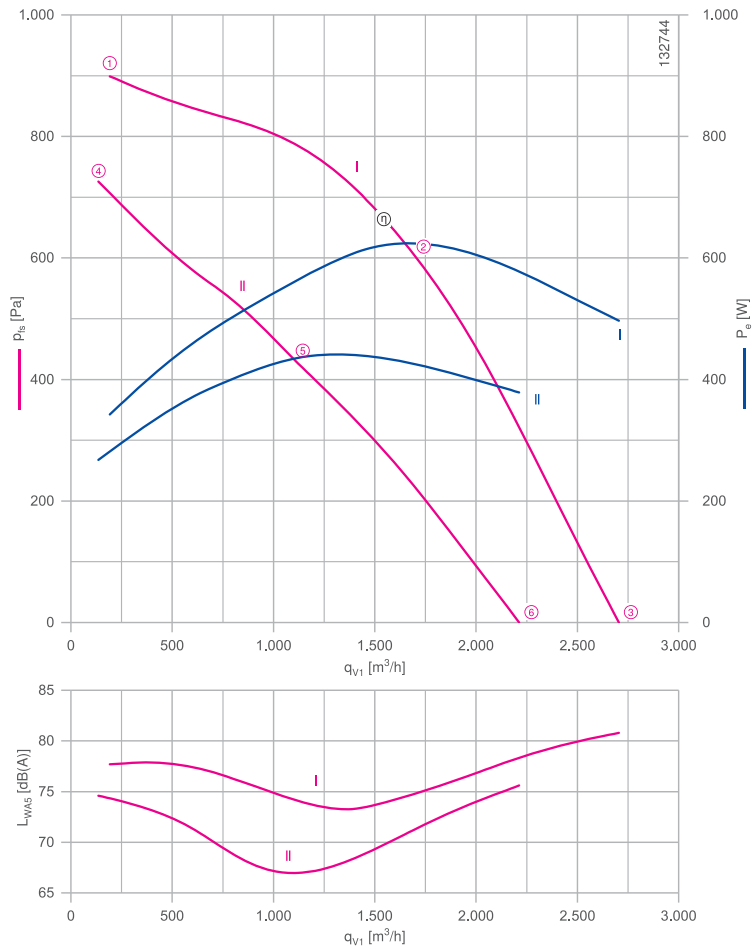
Motor technology: AC
 Rated voltage U_N : 3~ 230/400 V (Δ/Y)*
 Rated frequency f_N : 50 Hz*
 Input power P_e : 0.62 kW*
 Rated current I_N : 1.80/1.05 A*
 Rated speed n_N : 2700 min⁻¹*
 Starting current I_A : 7.50/4.40 A
 Current increase ΔI : 15 %
 Thermal class: THCL155*
 Min. permitted ambient temperature $t_{amb(min)}$: -40 °C***
 Max. permitted ambient temperature $t_{amb(max)}$: 60 °C

Electrical connection: Supply cable side, 105cm
 Degree of protection : IP54
 Motor protection: thermal contact
 Impeller : Impeller made of ZAmid, unpainted
 Motor: Aluminium, 1 coat paint, pebble grey
 Conformity: CE

* Rated data

*** Continuous operation with occasional starts (S1) according to DIN EN 60034-1:2011-02. Occasional starting between -35 °C and -25 °C is permissible. Continuous operation below -25 °C only with special bearings for refrigeration applications on request.

Characteristic curve

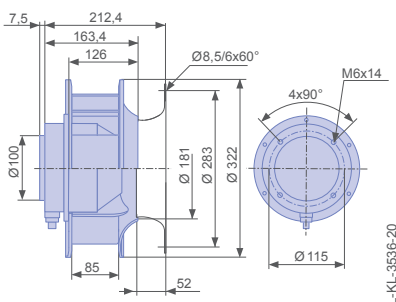


Measured with inlet nozzle, without guard grille according to ISO 5801

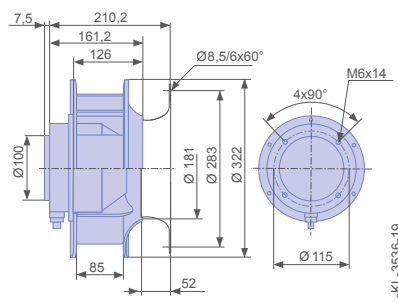
Inlet ring	00401778	RAL 7032 (pebble grey)
Inlet ring	00400804	unpainted
Connection diagram	1360-106X	

Dimensions mm

Free-running motorized impeller RH
in installation position H/Vu



Free-running motorized impeller RH
in installation position H/Vo

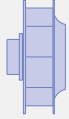
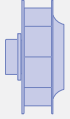


Performance data

Type	Characteristic curve	Voltage	Operating point	Current	Input power	Speed	Suction side sound power level L_{WA5} dB(A)
		U V		I A	P_e W	n min ⁻¹	
RH28C-2DK.3F.CR	I	400	①	0.74	340	2850	78
		400*	②	1.05*	620*	2700*	75
		400	③	0.92	500	2770	81
	II	230	④	0.74	270	2570	75
		230	⑤	1.20	440	2100	67
		230	⑥	1.05	380	2300	76

*rated data

Fan ordering information

Design	RH*	RH*
Installation position	H/Vu	H/Vo
		
Type	RH28C-2DK.3F.CR	RH28C-2DK.3F.CR
Article no.	175811	175810
Weight kg	10.00	10.00
* Inlet nozzle not included in the scope of delivery		

Cpro

for three phase alternating current, 2 pole

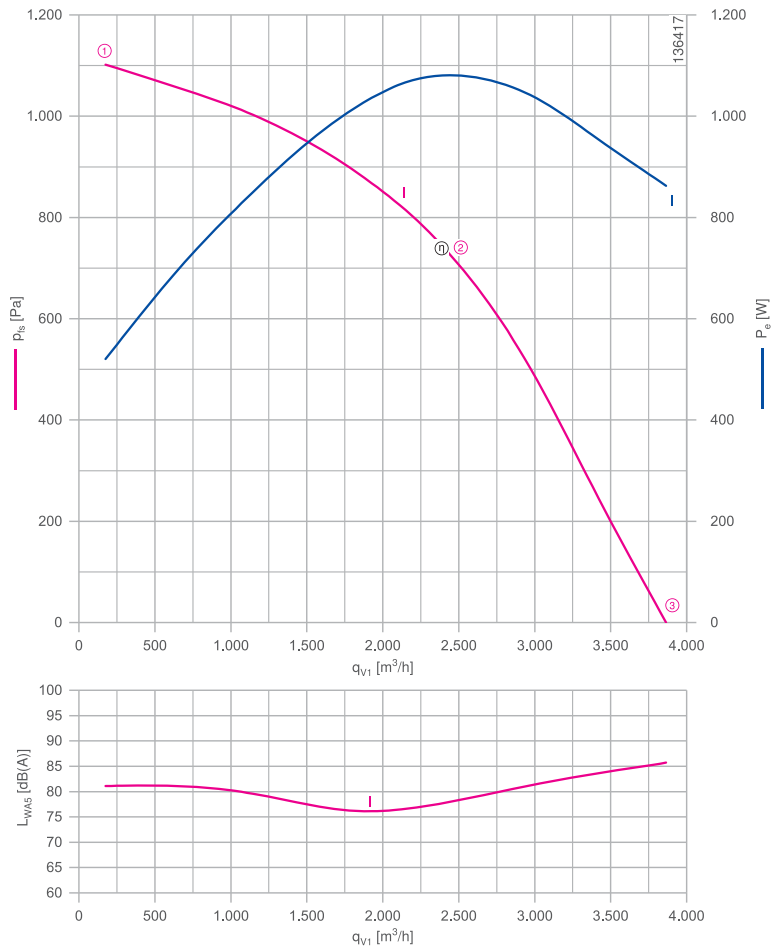
RH31C-2D



Description

Motor technology: AC
 Rated voltage U_N : 3~ 230/400 V (Δ/Y)*
 Rated frequency f_N : 50 Hz*
 Input power P_e : 1.05 kW*
 Rated current I_N : 3.10/1.80 A*
 Rated speed n_N : 2670 min⁻¹*
 Starting current I_A : 13.00/7.50 A
 Thermal class: THCL155*
 Min. permitted ambient temperature $t_{amb(min)}$: -40 °C***
 Max. permitted ambient temperature $t_{amb(max)}$: 60 °C
 Electrical connection: Supply cable side, 105cm
 Degree of protection : IP54
 Motor protection: thermal contact
 Impeller : Impeller made of ZAmid, unpainted
 Motor: Aluminium, 1 coat paint, pebble grey
 Conformity: CE
 * Rated data
 *** Continuous operation with occasional starts (S1) according to DIN EN 60034-1:2011-02. Occasional starting between -35 °C and -25 °C is permissible. Continuous operation below -25 °C only with special bearings for refrigeration applications on request.

Characteristic curve

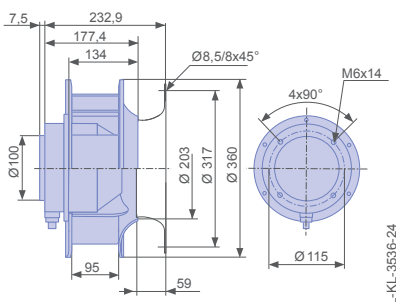


Measured with inlet nozzle, without guard grille according to ISO 5801
 Not voltage controllable fan.

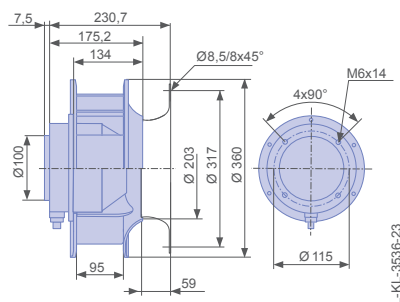
Inlet ring	00411853	RAL 7032 (pebble grey)
Inlet ring	00411846	unpainted
Connection diagram	1360-106XA	

Dimensions mm

Free-running motorized impeller RH
 in installation position H/Vu



Free-running motorized impeller RH
 in installation position H/Vo

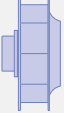
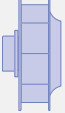


Performance data

Type	Characteristic curve	Voltage	Operating point	Current	Input power	Speed	Suction side sound power level L_{WA5} dB(A)
		U V		I A	P_e W	n min ⁻¹	
RH31C-2DK.3I.CR	I	400	①	1.10	520	2860	81
		400*	②	1.80*	1100*	2660*	78
		400	③	1.50	860	2750	86

*rated data

Fan ordering information

Design	RH*	RH*
Installation position	H/Vu	H/Vo
		
Type	RH31C-2DK.3I.CR	RH31C-2DK.3I.CR
Article no.	175815	175814
Weight kg	11.00	11.00
* Inlet nozzle not included in the scope of delivery		

Cpro

for three phase alternating current, 4 pole

RH35C-4D



Description

Motor technology: AC
 Rated voltage U_N :
 3- 230/400 V (Δ/Y) | 3-230/400 V (Δ/Y) | 3-265/460 V (Δ/Y) *
 Rated frequency f_N : 50 Hz | 60 Hz | 60 Hz*
 Input power P_e :
 330 W | 0.50 kW | 520 W*
 Rated current I_N :
 1.50/0.88 A | 1.55/0.90 A | 1.60/0.94 A*
 Rated speed n_N :
 1430 min⁻¹ | 1670 min⁻¹ | 1700 min⁻¹*
 Starting current I_s : 8.00/4.60 A | 7.00/4.00 A | 8.50/4.80 A
 Current increase ΔI : 0 % | 15 % | 20 %
 Thermal class: THCL155*
 Min. permitted ambient temperature $t_{amb(min)}$: -40 °C***
 Max. permitted ambient temperature $t_{amb(max)}$:
 70 °C | 70 °C | 70 °C
 Electrical connection: Supply cable side, 105cm
 Degree of protection : IP54
 Motor protection: thermal contact
 Impeller : Impeller made of ZAmid, unpainted
 Motor: Aluminium, 1 coat paint, pebble grey
 Conformity: CE

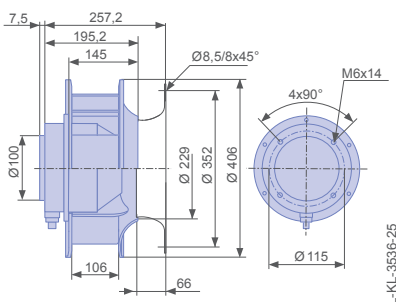
* Rated data

*** Continuous operation with occasional starts (S1) according to DIN EN 60034-1:2011-02. Occasional starting between -35 °C and -25 °C is permissible. Continuous operation below -25 °C only with special bearings for refrigeration applications on request.

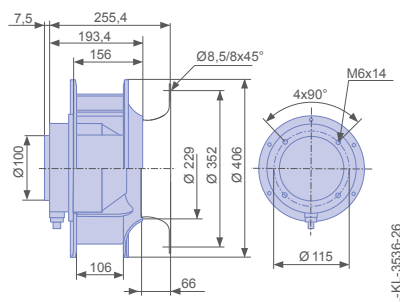
Inlet ring	00411854	RAL 7032 (pebble grey)
Inlet ring	00411847	unpainted
Connection diagram	1360-106XA	

Dimensions mm

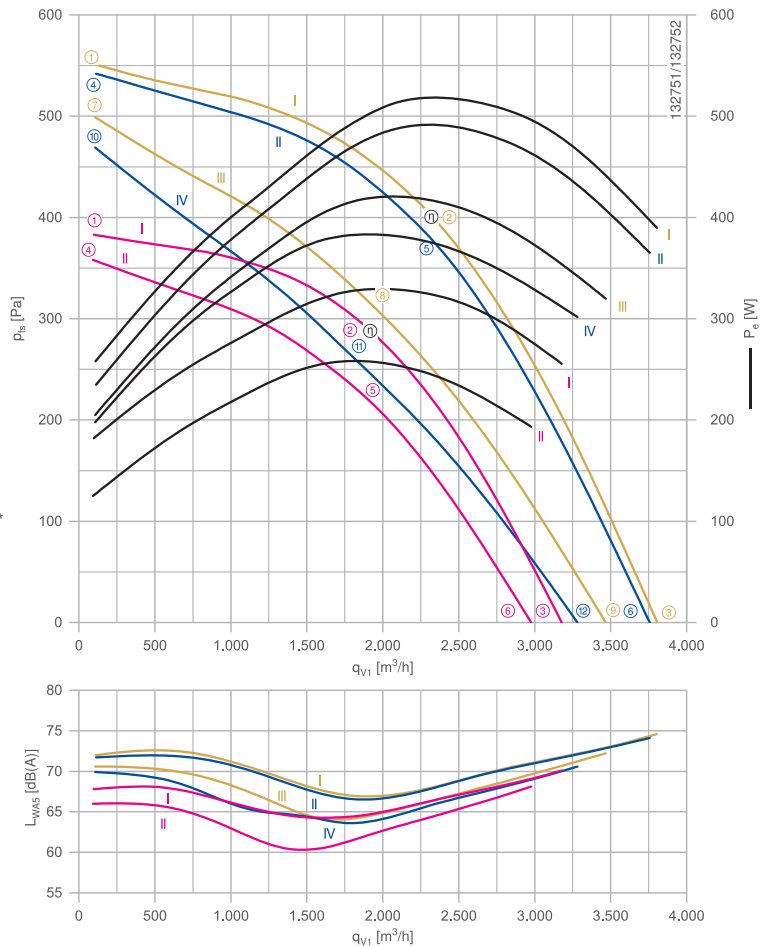
Free-running motorized impeller RH
in installation position H/Vu



Free-running motorized impeller RH
in installation position H/Vo



Characteristic curve



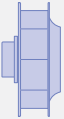
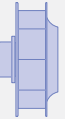
Measured with inlet nozzle, without guard grille according to ISO 5801



Type	Characteristic curve	Voltage	Frequency	Operating point	Current	Input power	Speed	Suction side sound power level L_{WA5} dB(A)	
		U V	f Hz		I A	P_e W	n min ⁻¹		
RH35C-4DK.4F.CR	I	400	50	①	0.80	180	1470	68	
		400*		②	0.88*	330*	1430*	65	
		400		③	0.84	260	1450	70	
	II	230		④	0.44	130	1420	66	
		230		⑤	0.74	260	1310	62	
		230		⑥	0.58	190	1360	68	
	I	460		60	①	0.74	260	1760	72
		460*			②	0.92*	520*	1700*	68
		460			③	0.82	390	1730	75
	II	400			④	0.60	230	1750	72
		400*			⑤	0.88*	500*	1670*	68
		400			⑥	0.74	370	1710	74
	III	265	⑦		0.54	210	1680	71	
		265	⑧		1.05	420	1480	65	
		265	⑨		0.80	320	1580	72	
	IV	230	⑩		0.58	200	1630	70	
		230	⑪		1.10	380	1360	64	
		230	⑫		0.86	300	1500	71	

*rated data

Fan ordering information

Design	RH*	RH*
Installation position	H/Vu	H/Vo
		
Type	RH35C-4DK.4F.CR	RH35C-4DK.4F.CR
Article no.	175816	175817
Weight kg	9.00	9.00
* Inlet nozzle not included in the scope of delivery		